

Bus Power Supply Somfy Digital Network

Item #: 1822440



OVERVIEW:

The **Bus Power Supply** is a Somfy Digital Network™ (SDN) provides 24V DC power for up to 100 controls and distribution devices on the SDN bus. A separate Bus Power Supply can be used for 1 Compact Sensor or 1 Sensor Station. The Bus Power Supply cannot be used to power motors. The Bus Power Supply is fault-tolerant, ensuring reliable operation should installation or wiring errors occur. Also provided is a SDN data pass-through input for in-line connection anywhere on the bus without splitters or hubs.



SOMFY DIGITAL NETWORK SYSTEM OVERVIEW:

Somfy Digital Network (SDN) is Somfy's intelligent wired shading network. An SDN system is comprised of bus distribution devices that create a network for user interfaces, motorized applications and sensors to be connected. SDN is scalable, and suitable for both small and large projects, and the same components are used whether an SDN system remains standalone, integrated into third party automation systems, or with Somfy's animeo® IP automated total solar management system.

TECHNICAL SPECIFICATIONS:

- Output: 24V DC 1.0A (provides 80 power units)
- Input: 100-240V AC 0.55A
- IEC-320 C6 AC input (cord included - 26in.)
- Operating Temperature: 14°F to 140°F
- Size: 3.5"L x 2.12"W x 1.3"D
- Weight: 4oz
- UL Listed
- CE Approved

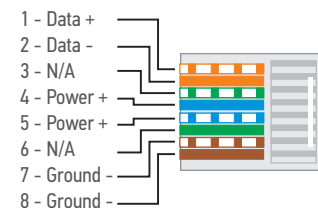
FEATURES SUMMARY:

- Provides 80 power units to a bus segment, or can power 1 Compact Sensor or 1 Sensor Station.
- Fault-tolerant
- Pass-through SDN connection
- Provides a power isolation point for large installations
- Standard SDN RJ-45 Connection
- Current overload indicator

WHAT'S IN THE BOX:

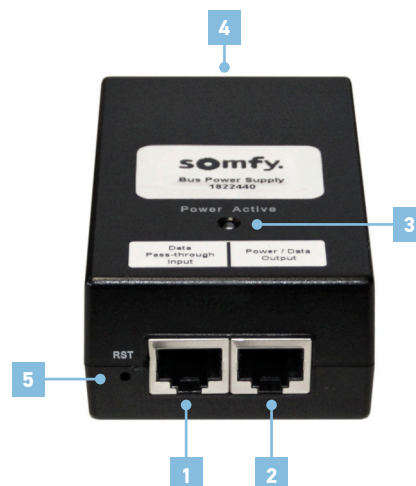
- Bus Power Supply
- Mounting bracket
- 26 in. Line-voltage AC power cord

CABLE PINOUTS:

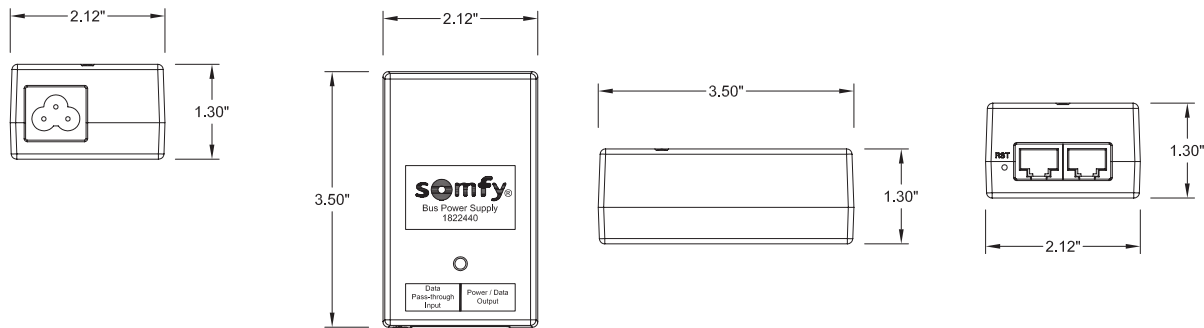


CONNECTIONS AND INDICATORS:

ELEMENT	FUNCTION
1 SDN Data Pass-through Input	SDN input connection for pass-through operation
2 SDN Power/Data Output	SDN output with pass-through data and power
3 Status Indicator	Blue = Powered normal operation Purple = Operating at excess of 80% capacity
4 Power Input	100-240V AC
5 RST	Reset (pin-button)



DIMENSIONS:



BEST WIRING PRACTICES

- Powering a bus with data pass-through:** Utilizing the Bus Power Supply's SDN pass-through input, an active SDN bus can be plugged into the Bus Power Supply. The incoming data will be joined with the power output from the Bus Power Supply and routed to the output port. This scenario can be used in riser-based systems where the input is likely coming from a repeater.
- Powering a bus without data pass-through:** Directly connecting the output of the Bus Power Supply to a Data Hub (#1870262) will create a power-only connection. Use this configuration in systems where bus distribution is centralized in one location.
- Powering animeo IP® sensors:** The Bus Power Supply can be used to power the animeo IP Compact Sensor or Sensor Station. Connection is made from the Building Controller or Sub Controller sensor bus output to the Bus Power Supply's pass-through input. Then connect Compact Sensor or Sensor Station's outdoor sensor box to Bus Power Supply SDN Power /Data output
 NOTE: When powering an animeo IP sensor, one Bus Power Supply is required per Compact Sensor or Sensor Station.
- Powering devices during configuration:** The Bus Power Supply can be used for temporary power while configuring SDN components such as Keypads and RTS Receivers. Simply connect a USB to RS485 adapter (#9015260) to the SDN data pass-through input and the device to be programmed to the SDN Power/Data output.
- Connection Details:**
 - Standard category 5E data cable
 - All data connections to power supply are standard RJ-45

