

SKYLIGHT 2 FLEXSHADE®

MOTOR OPERATED SKYLIGHT SHADE FOR VERY LARGE APPLICATIONS

SUBMITTAL TECHNICAL INFO

Please check all appropriate selections and attach room schedule with verified dimensions.

Fabric Series: _____

Color Name / Number: _____

Openness Factor: _____

Please see Draper's Fabric Options for fabric colors and specifications.

Select Installation Option *(see below)*

Select Clutch Color

- Incline-Up
- Measured Angle of Installation:
- OR Horizontal Run:
- AND Vertical Rise:
- Incline-Down
- Measured Angle of Installation:
- OR Horizontal Run:
- AND Vertical Rise:
- Vertical-Up
- Vertical-Down
- Horizontal

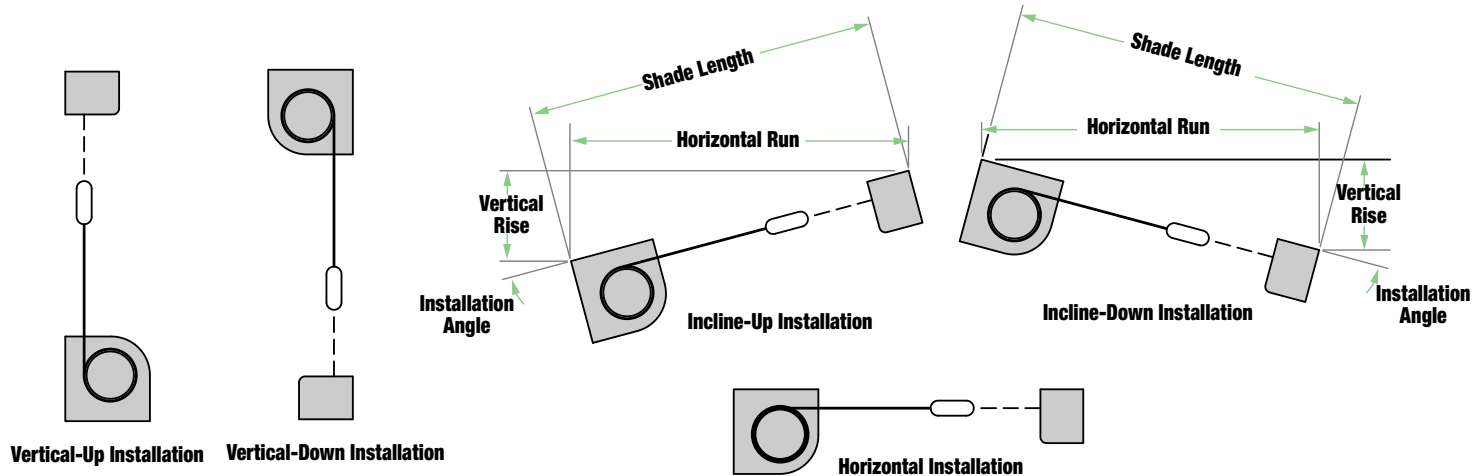
Select Operator Location *(see diagrams on pages 2 & 3)*

- Right *(Standard)*
- Left *(Optional)*

Select Motor and Options

- Standard 110-120V AC Motor
 - Controls
 - 110-120V Wall Switch for Single Shade Control
 - Low Voltage and/or Multiple Shade Control*
 - To design a control system, please see our full range of options at www.draperinc.com, or contact Draper.
- Radio Technology 110-120V AC Motor
 - Controls
 - Remote Controls for Radio-Frequency Motors
 - 1-Channel Transmitter
 - 4-Channel Transmitter
 - 5-Channel Transmitter with scroll wheel
 - Dry Contact Interface
 - Single Motor Sun Sensor
 - Radio Frequency Wall Switch
 - 1-Channel *(Circle one: White/Ivory)*
 - 4-Channel *(Circle one: White/Ivory)*
 - Chronis 1-Channel with 24-hour Timer
 - Multi-Link Universal RTS Interface *(5-channel)*
 - Multi-Link RS232 to RTS Interface *(16-channel)*

Select Motor and Options



PROJECT: _____

ARCHITECT: _____

CONTRACTOR: _____

SUPPLIER: _____

DATE: _____ REVISED: _____

Specifications

METHOD OF OPERATION

ELECTRIC OPERATOR: Drive unit inside roller, 4-wire, instantly reversible, lifetime lubricated. Right-hand motor location standard. Left-hand available. Adjustable limit switches, thermal overload protector and electric brake. Operates on 110-120V AC 1 PH 60 Hz current. Draws 1.1 Amps. Spring-Assist cassette helps provide maximum tension.

RADIO FREQUENCY ELECTRIC OPERATOR: Drive unit inside roller, 3-wire, instantly reversible, lifetime lubricated. Right-hand motor location standard. Left-hand available. Built-in radio receiver. Limit switches adjustable using wall switch or remote control. Thermal overload protector and electric brake. Operates on 110-120V AC 1 PH 60 Hz current. Draws 1.1 Amps. Spring-Assist cassette helps provide maximum tension.

HARDWARE

ROLLER: 3½" (89 mm) O.D. extruded aluminum x .1345" (3 mm) wall. Take-up spools for Draw Cable attached to each end.

FABRIC ATTACHMENT: Fabric retainers slide into ¾" (19 mm) pockets at each end of fabric, then fit into roller extrusion and hem bar. Fabric orientation shall always be from the top (back) of roller.

ENDCAPS/BRACKETS: .236" (6 mm) thick aluminum: 5 13/16" x 5 13/16" (148 mm). Fabric/roller endcaps complete with motor adapter bracket. White powder coat finish. Draw Cable/Guide Cable brackets provided with pulley assemblies. Hem Bar provides an attachment point for the shade fabric, with built-in pulley assemblies for routing of Draw Cable.

GUIDE CABLES: 3/16" (5 mm) 7x19 strand, galvanized, non-coated steel cable with 3/16" (5 mm) copper Nicopress Stop.

DRAW CABLE: 1/16" (2 mm) O.D., 7x7 strand wire rope. Low-stretch, high-fatigue, nylon coated.

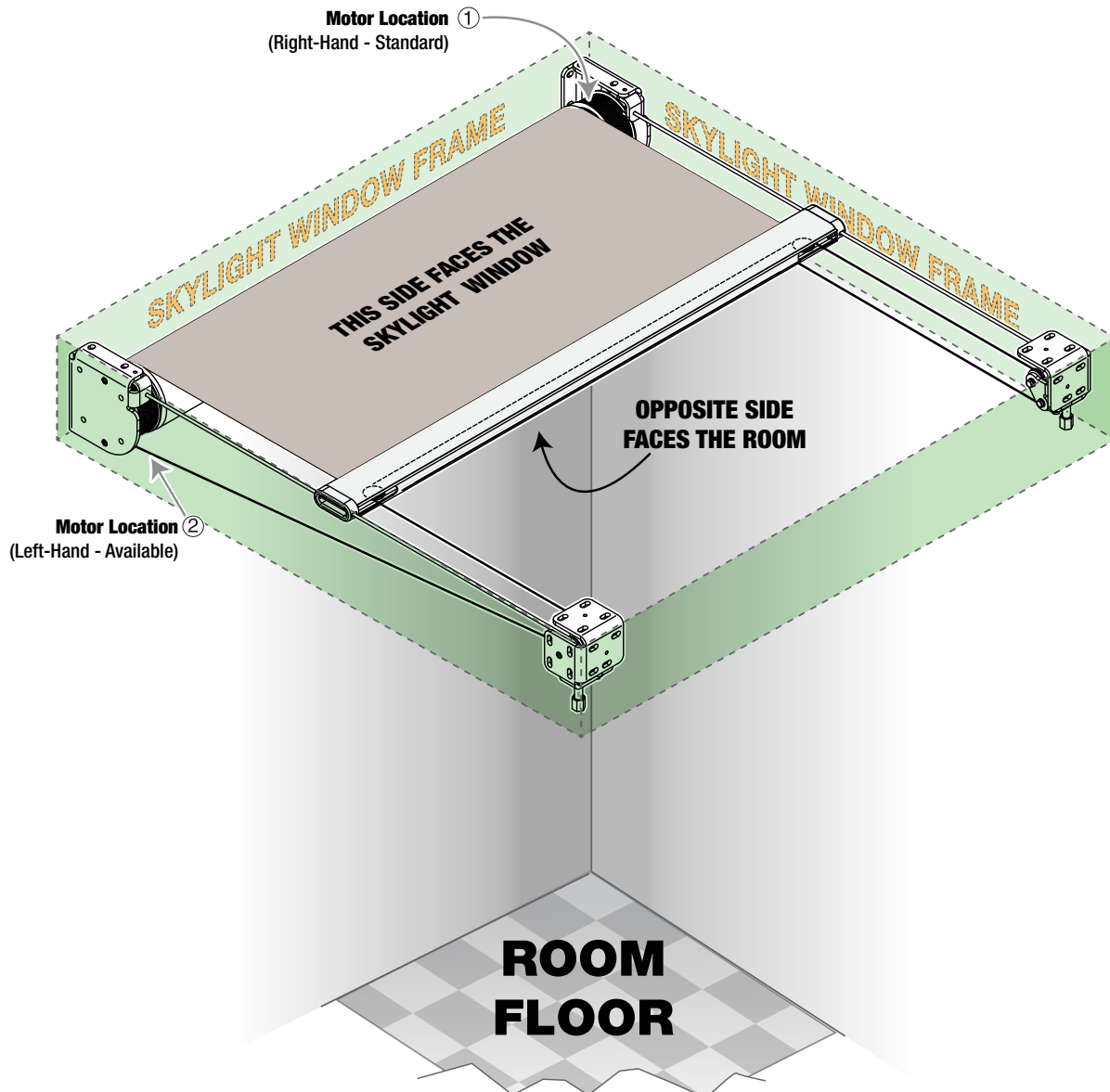
FABRIC SUPPORT STAYS: Horizontal spring steel stays, .005" (.127 mm) thick x 1" (25 mm) wide, are installed at regular intervals and covered. This system enables the shade to withstand reasonable air pressure differentials and gravity. This unit is not designed for fabric to lay perfectly flat. Some fabric sag is to be expected.

Please note: Extreme air currents or physical interference may cause product failure.

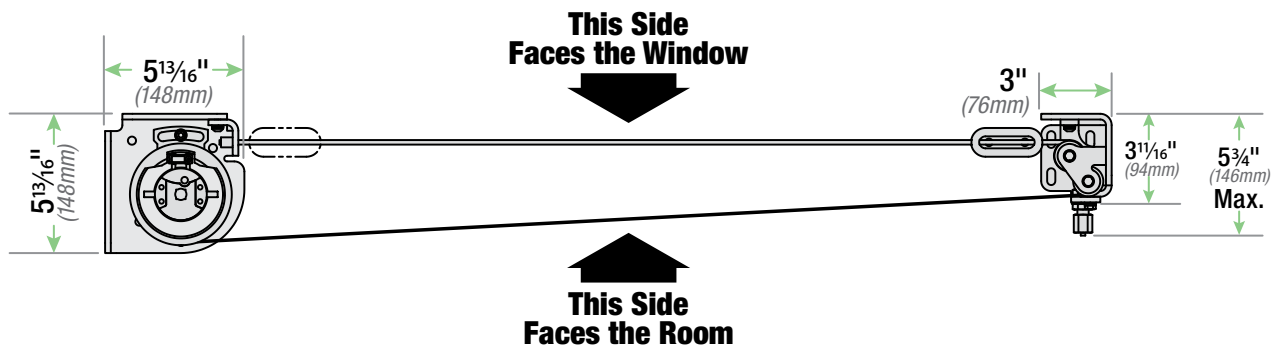
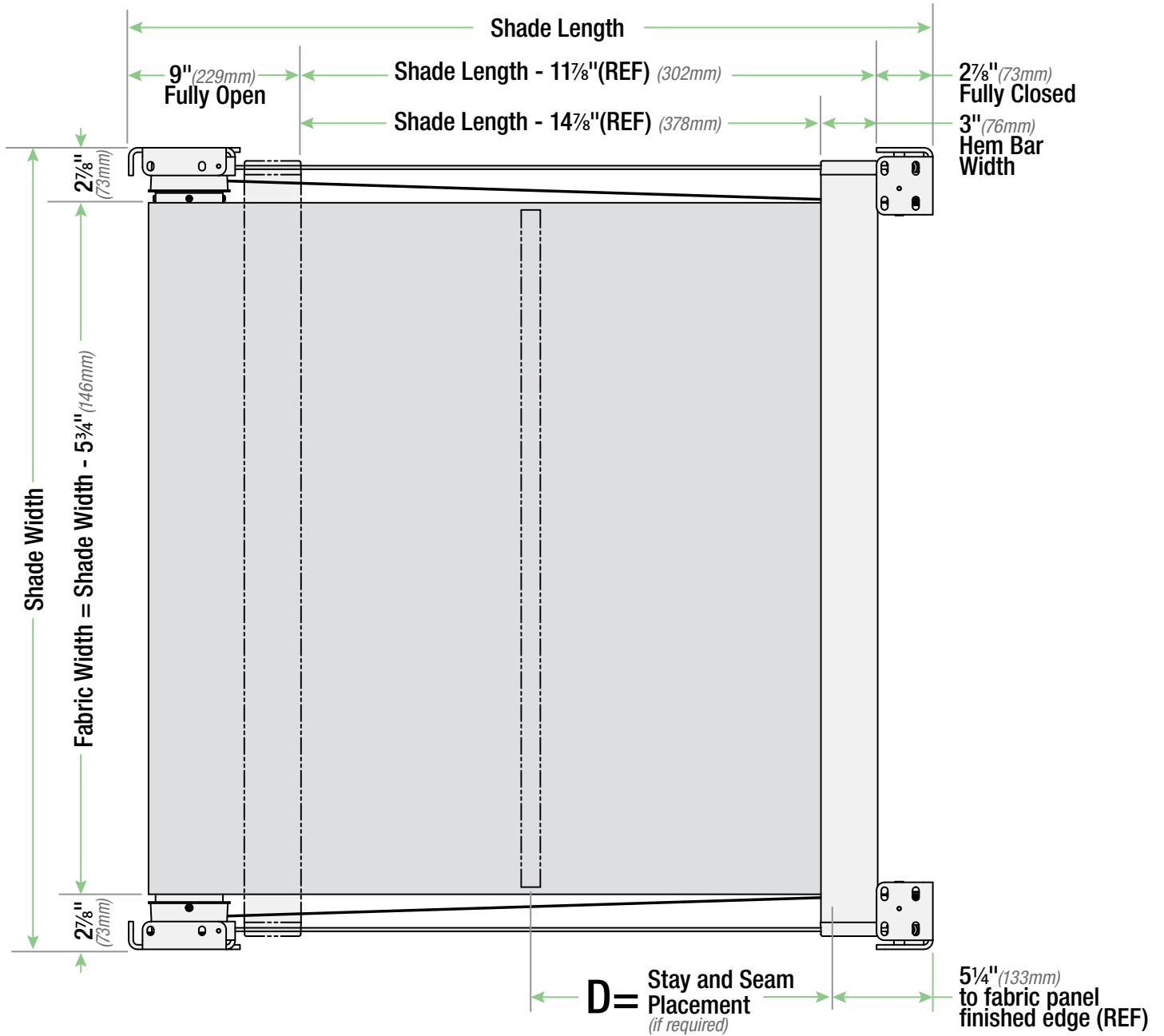
DOWNLOADABLE 3-PART SPECIFICATIONS: available at www.drapercinc.com.

Please note: Dimensions of rollers, operators, and hardware at manufacturer's discretion.

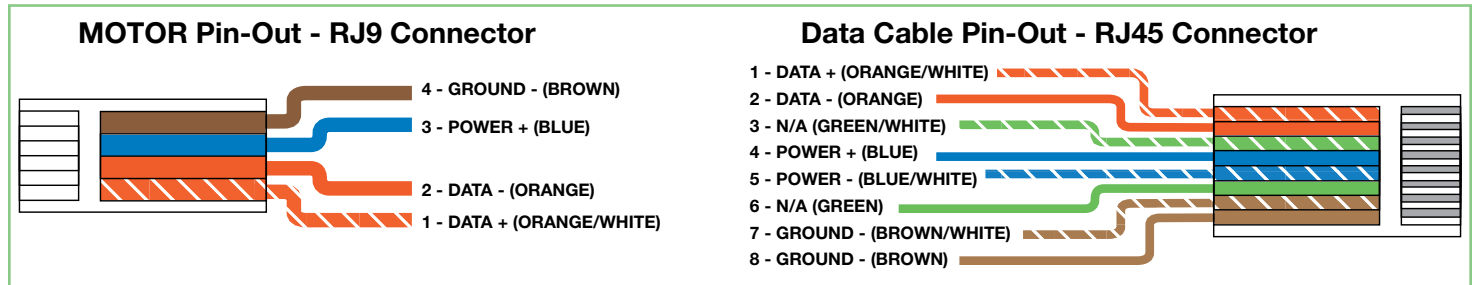
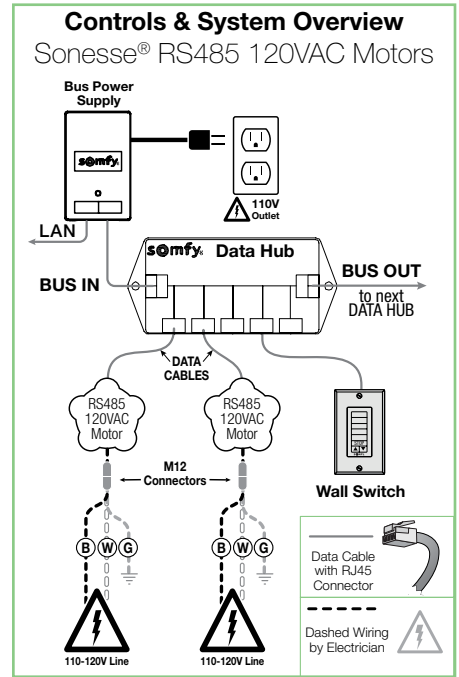
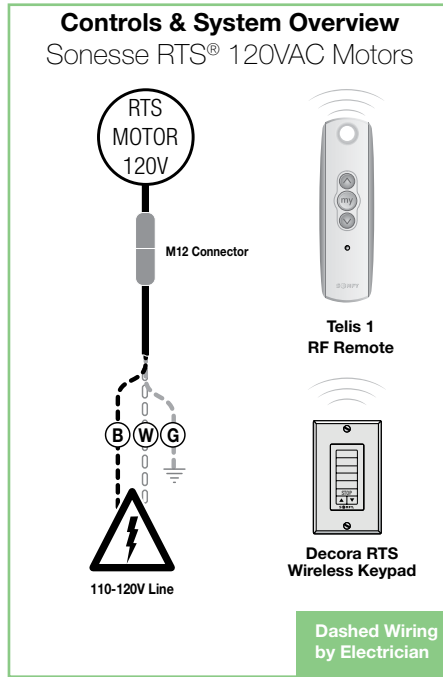
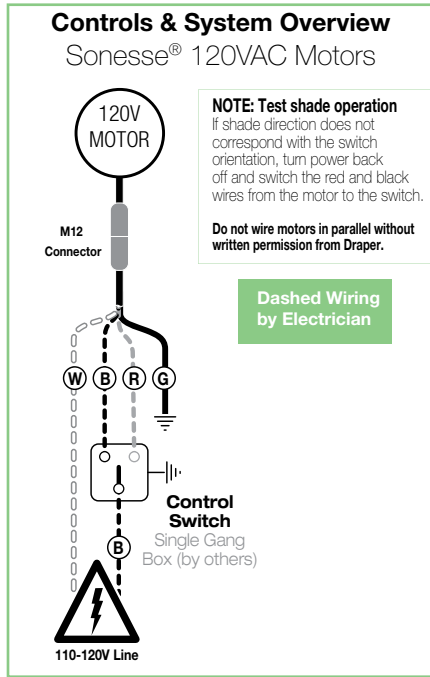
SkyLight 2 FlexShade—Completed (iso view)



Dimensions



Wiring Diagrams



PROJECT: _____

ARCHITECT: _____

CONTRACTOR: _____

SUPPLIER: _____

DATE: _____ REVISED: _____