

LightBloc FlexShade System by



Please Check All Appropriate Selections and attach room schedule with field verified dimensions.

Select Fabric¹

- Indicate color name & no.
- Draper SunBloc SB9000 _____
 - Draper SunBloc SB9100 _____
 - Mermet Flocke² _____
 - Phifer SheerWeave® SW7000² _____
 - Phifer SheerWeave® SW7100² _____
 - Rockland Roc-Rol _____

Please see Draper's Shade Fabric Reference Sheet for fabric colors and specifications.

Select Operator and Control Options

- Standard 110-120V AC Motors**
 - Standard Motor
 - Quiet Motor
- Controls**
 - 110-120V Wall Switch for Single Shade Control
 - Low Voltage and/or Multiple Shade Control*

Please see Draper's IntelliFlex Controls Reference Sheet and IntelliFlex® Control System Planning Sheet to design a control solution for this product. The forms are available at www.draperinc.com, or by contacting Draper.

- Radio Technology Motors**
 - 110-120V AC Radio Technology Motor
 - 110-120V AC Radio Technology Quiet Motor

- Controls**
- Altus RF
 - 1-Channel Transmitter
 - 4-Channel Transmitter
 - 5-Channel Transmitter with scroll wheel
 - Dry Contact Interface
 - Single Motor Sun Sensor (Circle one: White/Ivory)
 - Wireless Wall Switch
 - 1-Channel (Circle one: White/Ivory)
 - 4-Channel (Circle one: White/Ivory)
 - Chronis 1-Channel with 24-hour Timer
 - Multi-Link Universal RTS Interface (5-channel)
 - Multi-Link RS232 to RTS Interface (16-channel)

- Intelligent Technology (ILT) 110-120V Motors**
 - Standard ILT 110-120V Motor
 - Quiet ILT 110-120V

- Controls**
- 1-Channel RF Transmitter
 - 4-Channel RF Transmitter
 - 5-Channel RF Transmitter with Scroll Wheel
 - 1-Channel IR Transmitter
 - Wireless Wall Switch

- Clutch (see safety note below)**

Select Bead Chain

- Stainless Steel Bead Chain (standard)
- Nylon Chain
 - Ivory White
 - Grey Brown
 - Black

Select Cord Tension Device (Bead Chain only)

- P-Clip Cord Tension Device
- Optional Spring Loaded Cord Tension Device

Select Operator Location

Select right side (standard) or left side, as seen from inside the room, facing the window. Indicate selection on room schedule.

- Right Side (standard)
- Left Side

Select Hardware Style

Headbox

- Surface Mount at Head
- Installation Inside Pocket

Side Channels For Installation To:

- Face³
- Jamb³
 - Mounting Angle On Room Side³
 - Mounting Angle On Window Side³

Sill Channels For Installation To:

- Face (Wall)
- Jamb (Sill)

Select Hardware Finish

- Clear anodized (standard)
- Black Ivory
- White Bronze

Installation

- Do any units abut at mullions?
Which? _____

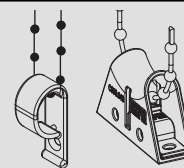
¹ Not all sizes are offered in all fabrics or operators. Contact Draper for details.

² Fabric retention system not available.

³ See detail drawings on page 2.

Safety Note for Bead Chain Clutch Shades

Please Note: If shades are to be installed in areas accessible to young children, be certain to use cord tension device included with Bead Chain Clutch shades. Clutch-operated shades should not be installed near cribs or playpens.



PROJECT: _____

ARCHITECT: _____

CONTRACTOR: _____

SUPPLIER: _____

DATE: _____ REVISED: _____



LightBloc FlexShade System Specifications

Method Of Operation

Electric Operator: Drive unit inside roller, 4-wire, instantly reversible, lifetime lubricated. **Right hand motor location standard.** Left hand available. Adjustable limit switches, thermal overload protector and electric brake. Operates on 110-120V AC 1 PH 60 HZ current. Draws 1.1 Amps. For controls, see IntelliFlex® Controls Reference Sheet and IntelliFlex Controls Planning Sheet.

Quiet Electric Operator: Drive unit inside roller, 4-wire, instantly reversible, lifetime lubricated. **Right hand motor location standard.** Left hand available. Adjustable limit switches, thermal overload protector and electric brake. Operates on 110-120V AC 1 PH 60 HZ current. Draws 1.1 Amps. Operates at or below sound level of 44 Db. For controls, see IntelliFlex® Controls Reference Sheet and IntelliFlex Controls Planning Sheet. Call Draper for size limitations when using quiet motors.

RTS Electric Operator: Drive unit inside roller, 3-wire, instantly reversible, lifetime lubricated. **Right hand motor location standard.** Left hand available. Built-in radio receiver. Limit switches adjustable using wall switch or remote control.

Thermal overload protector and electric brake. Operates on 110-120V AC 1 PH 60 HZ current. Draws 1.1 Amps. Operates at or below sound level of 44 Db. Call Draper for size limitations when using quiet motors.

ILT Electric Operator: Drive unit inside roller, 3-wire, instantly reversible, lifetime lubricated. **Right hand motor location standard.** Left hand available. Built-in encoder and low voltage controller with data cable. Limit switches adjustable using wall switch or remote control. Thermal overload protector and electric brake. Operates on 110-120V AC 1 PH 60 HZ current. Draws 1.1 Amps.

Quiet ILT Electric Operator: Drive unit inside roller, 3-wire, instantly reversible, lifetime lubricated. **Right hand motor location standard.** Left hand available. Built-in encoder and low voltage controller with data cable. Limit switches adjustable using wall switch or remote control. Thermal overload protector and electric brake. Operates on 110-120V AC 1 PH 60 HZ current. Draws 1.1 Amps. Operates at or below sound level of 44 Db. Call Draper for size limitations when using quiet motors.

Bead Chain Clutch Operator: High carbon steel and molded fiberglass-reinforced polyester thermopolymer (PBT). Bi-directional for mounting at either end of roller. Control loop, of any length, is a stainless steel or plastic bead chain. **Stainless steel is standard.** Plastic chain available in ivory, grey, black. Never needs adjusting. **Right hand control location standard;** left hand available. Patent pending.

Crank Operator: Gear box, of die cast aluminum and steel, has ratio of 3.0 to 1. Bidirectional to mount at either end of roller. Never needs lubrication or adjustment. Crank handle assembly, of anodized aluminum and chrome plated steel, in overall lengths to 6', detachable or permanently mounted. Crank roller insert, of injection molded nylon and steel, is installed in the roller and engages to gear box.

Spring Roller Operator: Institutional quality, all with heavy-duty springs. All shades are mounted on one-piece electro-galvanized steel rollers.

Hardware

Rollers (except shades with spring rollers): Sizes 1½" dia. with .065 wall or 2" dia. with .080 wall—6063-T5 aluminum extruded tube. Roller assembly easily removable.

Roller Idler Assembly: Type 6/6 injected molded nylon and a zinc-plated cold rolled steel pin. Sliding pin for easy installation and removal of the roller.

Endcaps: 1028 steel stamping, 3¼" x 3¾", complete with roller adapter bracket. Large endcaps 4½" x 4½", also available at manufacturer's discretion. Installs to face, ceiling, or jamb. Accepts roller box cover and fabric guide.

Headbox, Channels & Slat Bar: 6063-T5 aluminum custom extruded shapes, .060 wall. **Clear anodized (standard)**, or black, white, ivory, or bronze powder coat finish. All contain grooves to accept light seal elements.

Headbox is available in two configurations. The first, for surface or jamb installation, consists of an L-shaped back/top and an L-shaped front/bottom. The second, for pocket installation, includes a U-shaped back/top/front with removable bottom. Some exposed fasteners required. **Clear anodized (standard)**, or black, white, ivory, or bronze powder coat finish.

Side Channels of one-piece construction. Channel consists of two chambers. One accepts the fabric and contains groove for fabric retainer. The second accepts the fabric guide and channel locator (see below). Face-mounted units require plastic cover buttons.

Sill Channel accepts the slat bar, prevents light leakage. Bottom of channel provides for use of flat head screws.

Slat Bar is furnished with sill channel and is attached to the bottom of shade fabric. Includes a chamber for additional weight if needed for smooth operation. Does not retract into operator enclosure (headbox).

Channel Locator: Type 6/6 injected molded nylon. Aligns enclosure and channels.

Fabric Guides: Plated steel. Forms a transition for the fabric as it rolls into the channels, reducing friction.

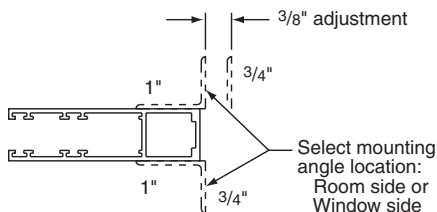
Patented Fabric Retention (Available with SB9000/SB9100 only):

Horizontal steel stays are installed at regular intervals and covered. At each end of stays, a grommet is installed through the stay and shade fabric. The grommets are then held within the side channels by fabric retainers. This system enables the shade to withstand reasonable air pressure differentials. *Note—Extreme air currents or physical interference may cause product failure.* Patented by Draper, Inc. (U.S. Patent No. 5,323,831; CA 2,125,517).

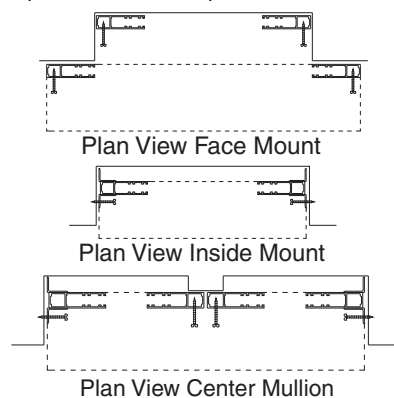
Opacity Plates: 1018 steel with a rubber "O" ring. Installed on the endcaps of the roller box to eliminate light leakage.

Downloadable 3-part specifications are available at www.draperinc.com.

Jamb Angle Details

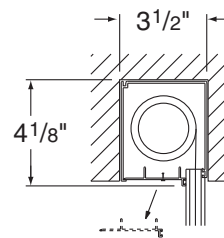


Dotted lines below indicate outline of top of Head Box from plan view

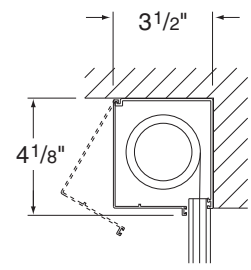


Methods Of Installation

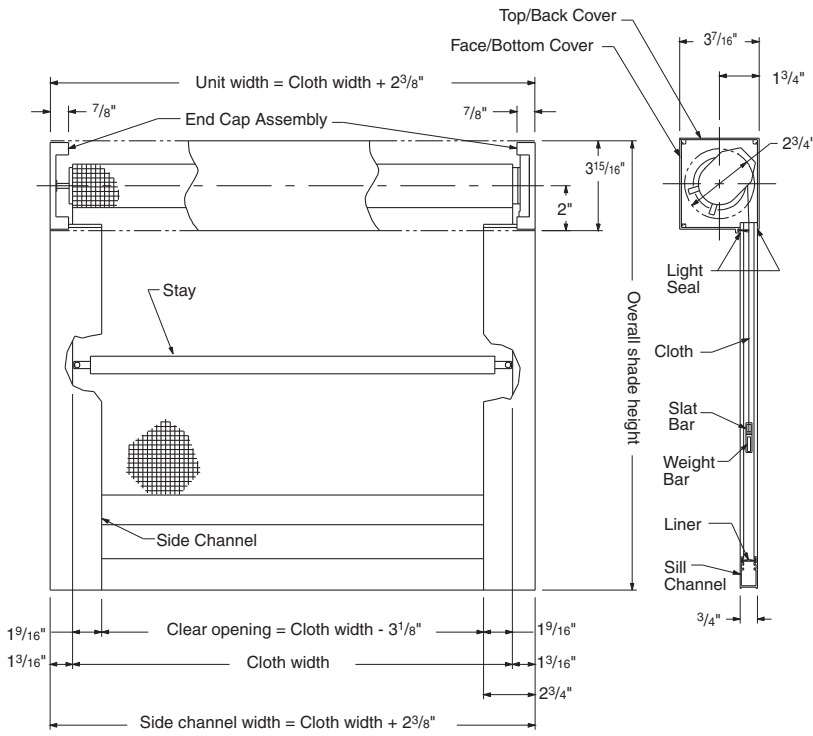
Installation Inside Existing Pocket



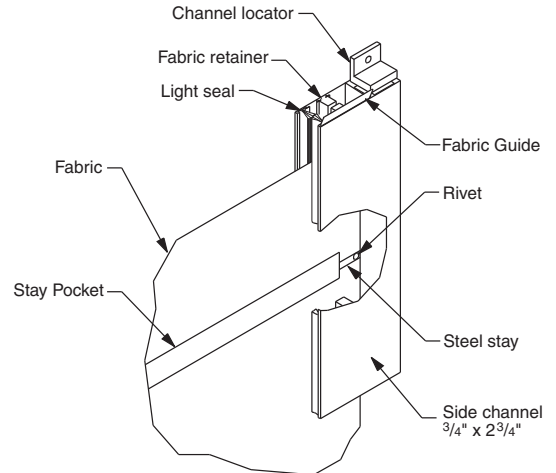
Ceiling/Wall Mount (Standard)



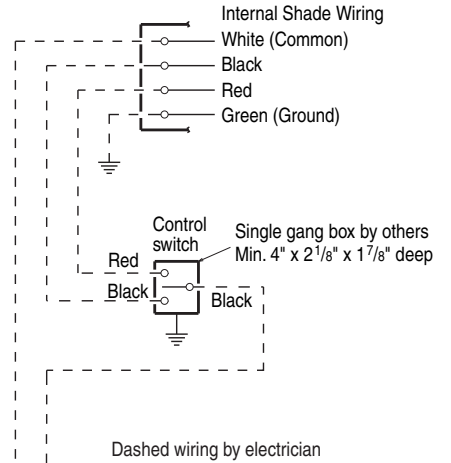
Dimensions



Fabric Retention System Details

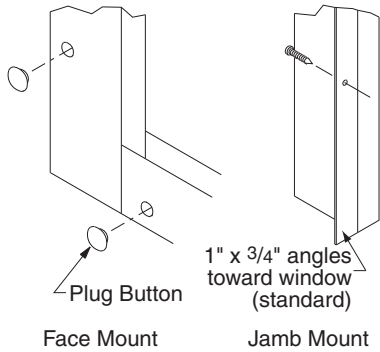


Single Shade Wiring Diagram

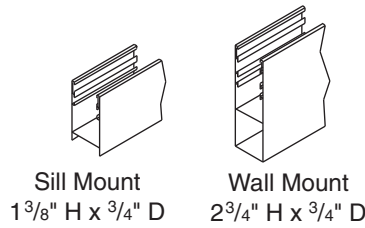


To 110-120V Line
NOTE: Test shade operation. If shade direction does not correspond with the switch orientation, turn power back off and switch the red and black wires from the motor to the switch.

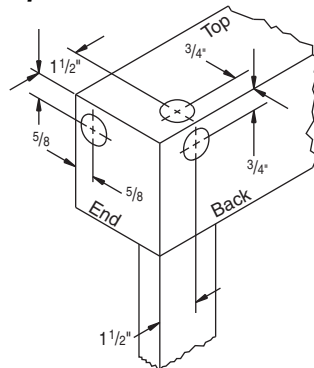
Channels drilled for face or jamb mount



Sill Channel Details



Optional Cable Exit Hole Locations



Draper does not supply conduit, connectors or knockouts. If you need predrilled holes, please specify the location. Three standard conduit exit hole locations are identified at left.