

FlexWave Light Shelf

Interior
Light Shelf

by DRAPER

Please check all appropriate selections and attach room schedule with verified dimensions.

Specifications

Mounting Brackets: Black zinc plated 3MM (0.1181") cold rolled steel. 2¹⁵/₁₆" high x 3⁷/₁₆" deep x 7⁷/₈" wide. Slots to allow light shelf to be easily lowered for cleaning, then raised and locked back in place without tools.

Mounting Bracket Covers: ABS, UV stabilized, flame resistant. Intermediate Bracket Cover is 2³/₄" high x 3⁵/₁₆" deep x 7⁷/₈" wide. End Bracket Cover is 2³/₄" high x 3⁵/₁₆" deep x 1⁵/₁₆" wide. Available in Black, White, and Silver.

Mounting Bracket Extensions: Available in Black, Bronze, Ivory, White, Silver, and custom colors.

Reflective Surface: 23³/₈" wide x 0.8 MM (0.0315") thick highly reflective aluminum sheet.

Bottom side of light shelf: 24" wide x 0.8 MM (0.0315") thick aluminum. Available in Black, Bronze, Ivory, White, and Silver.

Light Shelf front Cap: 6063-T5 aluminum. Available in Black, Bronze, Ivory, White, Silver, and custom colors.

Make Appropriate Selections

How many light shelf units? _____

If more than one, will they be single panel or multiple panel units? For single panel units, use Section "A." If multi-panel units, skip to section "B."

Section A (for Single Panel Units)

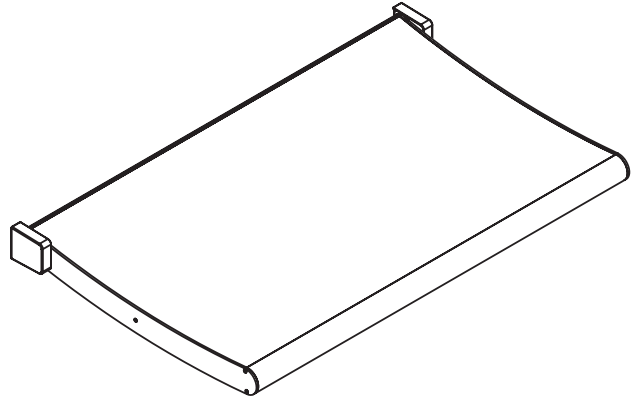
Order Width: _____

Measurement Type (refer to drawing on page 2):

- Overall (Max. = 97" with End Covers/96⁷/₈" with Intermediate or no Covers)
- Bracket-to-Bracket (inside) (Max. = 95¹/₈")
- Bracket Center-to-Center (Max. = 96")
- Light Shelf Width (Max. = 94¹³/₁₆")

Select Shelf Mounting Options

- Mounting Bracket Covers (choose one)
 - End Covers Intermediate Covers No Covers
 - Color: Black White Silver
- Optional Mounting Bracket Extensions
 - Size (length from wall) (5" max./1" Min.) _____
 - Color: Black White Silver
 - Ivory Bronze Custom: _____



Section B (for Multiple Panel Units)

Select Shelf Mounting Options

- Mounting Bracket Covers (choose one)
 - End Covers Intermediate Covers No Covers
 - Color: Black White Silver
- Optional Mounting Bracket Extensions
 - Size (length from wall) (5" max./1" Min.) _____
 - Color: Black White Silver
 - Ivory Bronze Custom: _____

Order Width (Overall—see drawing on page 2): _____

Total number of panels: _____

Measurements of Individual Panels:

Left End Panel

Measurement Type (refer to drawing on page 2):

- Panel Width (Max. = 96¹/₂" with End Covers/96⁷/₁₆" with Intermediate or no Covers)
- Bracket-to-Bracket (inside) (Max. = 95¹/₈")
- Bracket Center-to-Center (Max. = 96")
- Light Shelf Width (Max. = 94¹³/₁₆")

Width: _____

Intermediate Panel (s)

Measurement Type (refer to drawing on page 2):

- Bracket-to-Bracket (inside) (Max. = 95¹/₈")
- Bracket Center-to-Center (Max. = 96")
- Light Shelf Width (Max. = 94¹³/₁₆")

Width (s): _____

Right End Panel

Measurement Type (refer to drawing on page 2):

- Panel Width (Max. = 96¹/₂" with End Covers/96⁷/₁₆" with Intermediate or no Covers)
- Bracket-to-Bracket (inside) (Max. = 95¹/₈")
- Bracket Center-to-Center (Max. = 96")
- Light Shelf Width (Max. = 94¹³/₁₆")

Width: _____

(If you need more lines, continue on a separate sheet)

For Dimensional Drawings, see page 2

DRAPER®

411 S. Pearl St., Spiceland, IN 47385 USA ■ 765-987-7999

www.draperinc.com ■ fax 765-987-7142

Copyright © 2014 Draper Inc.

Form FlexWave_Sub14

Printed in U.S.A.

PROJECT: _____

ARCHITECT: _____

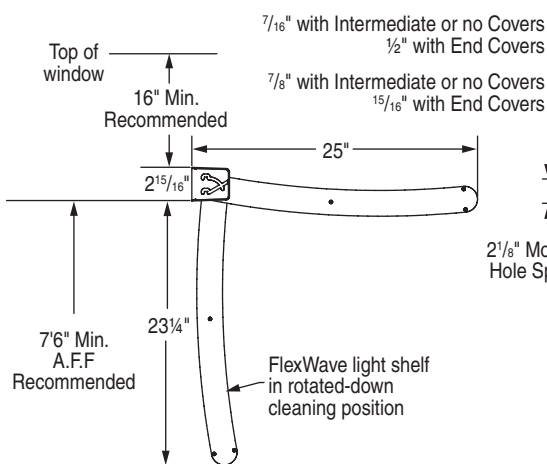
CONTRACTOR: _____

SUPPLIER: _____

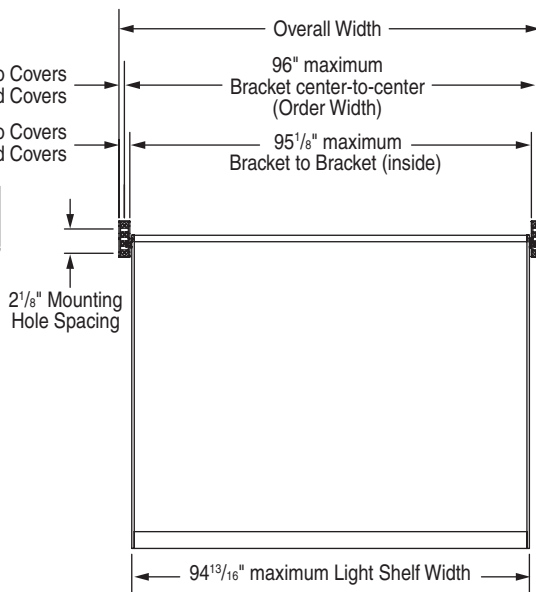
DATE: _____ REVISED: _____

FlexWave Dimensions

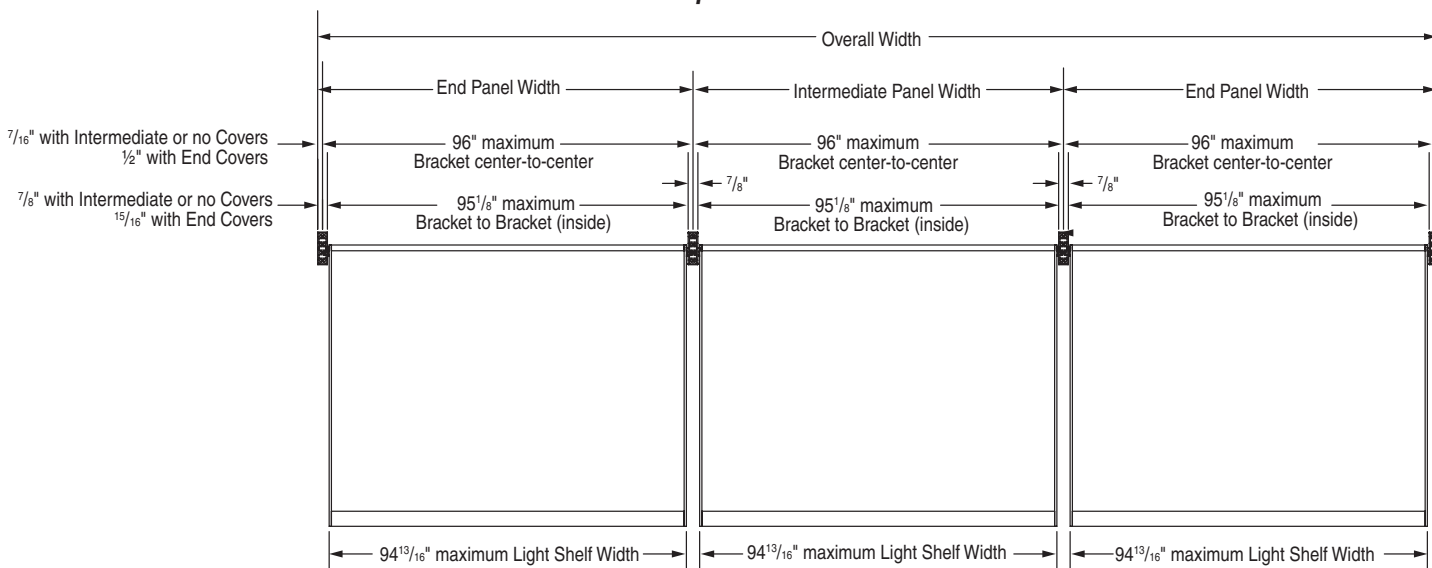
Side View



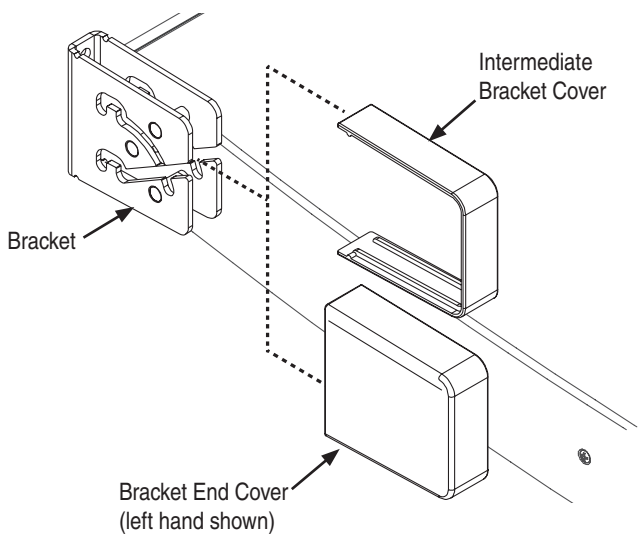
Single Panel



Multiple Panels



Bracket and Covers



Bracket and Extension

