

Please check all appropriate selections and attach room schedule with verified dimensions.

Select Fabric:

- E Screen 1% Color Name / Number: _____
- E Screen 3% Color Name / Number: _____
- E Screen 5% Color Name / Number: _____
- Soltis 92 Color Name / Number: _____

Please see Draper's [Shade Fabric Reference Guide](#) for fabric colors and specifications.

Select Operator and Controls:

Select Motor Location:

- Right (Standard)
- Left

Select 120V RTS Operator:

- Altus RTS (Standard)

Select RTS Control Options:

- Altus RF
 - Telis 1 Transmitter (1-Channel)
 - Telis 5 Transmitter (4-Channel)
 - Dry Contact Interface
 - RTS Sun Sensor
- Wireless Wall Switch
 - Decora RTS 1-Channel (Circle one: White / Ivory)
 - Decora RTS 4-Channel (Circle one: White / Ivory)
 - Telis 1 Chronis Timer (1-Channel)
- URTSi II Universal RTS Interface RS-232 (16-channel)

Select 120V AC Operator:

- Altus 120V Motor

Select 120V AC Control Options:

- 120V Wall Switch for Single Shade Control
- Low Voltage and/or Multiple Shade Control*

Hardware Selections

Select Mounting Location:

- Wall Ceiling

Select Headbox Style

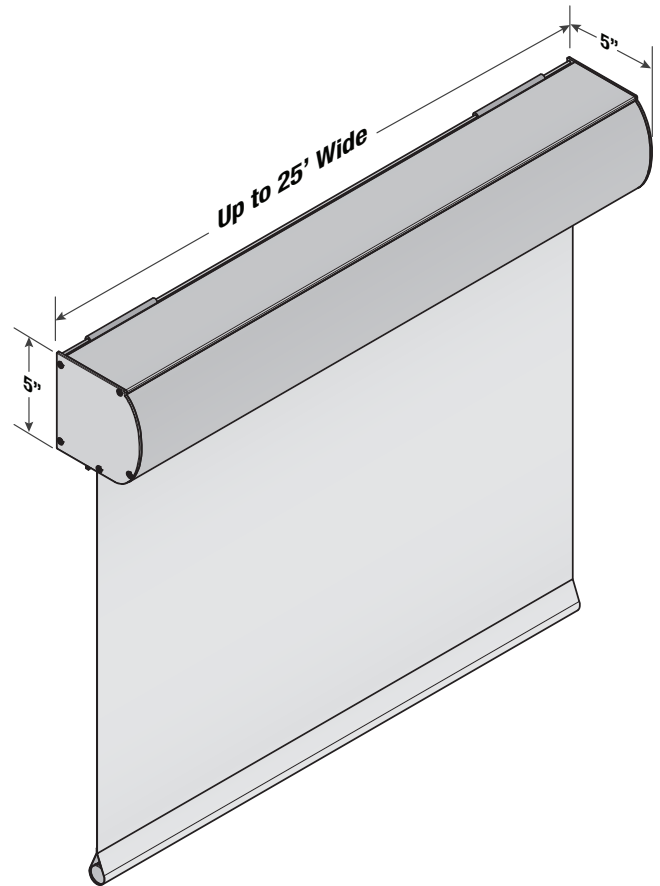
- Curved Angled

Select Hardware Finish:

- Black Bronze Ivory White Sand Silver

Select Cable Exit Location:

- None (Standard)
- Top
- Side
- Back



Available Sizes

WIDTH:	2'	4'	6'	8'	10'	12'	14'	16'	18'	20'	22'	24'	26'
HEIGHT:													
2'													
4'													
6'													
8'													
10'													
12'													
14'													
16'													
18'													

PROJECT: _____

ARCHITECT: _____

CONTRACTOR: _____

SUPPLIER: _____

DATE: _____ REVISED: _____

Specifications

Motorized Operator:

ALTUS RTS 120V AC RADIO TECHNOLOGY ELECTRIC OPERATOR: Drive unit inside roller, 3-wire, instantly reversible, lifetime lubricated. Right hand motor location standard. Left hand available. Adjustable limit switches, thermal overload protector and electric brake. Operates on 110-120V AC 1HP 60 HZ current. Draws 1.6 Amps.

ALTUS 120V AC ELECTRIC OPERATOR: Drive unit inside roller, 3-wire, instantly reversible, lifetime lubricated. Right hand motor location standard. Left hand available. Adjustable limit switches, thermal overload protector and electric brake. Operates on 110-120V AC 1HP 60 HZ current. Draws 1.6 Amps.

FOR CONTROLS, SEE INTELLIFLEX® CONTROLS REFERENCE SHEET AND INTELLIFLEX® CONTROLS PLANNING SHEET.

Hardware:

ROLLERS: 2.364" (60 mm) dia. Aluminum with 0.049" (1.245 mm) wall; or 3.07" (78 mm) dia. Steel with 0.049" (1.245 mm) wall; with galvalum coating.

HEADBOX: Two-piece extruded aluminum headbox shall be 5" (127 mm) tall x 5" (127 mm) deep. Silver, black, white, ivory, sand or bronze powder coat finish.

HEM BAR: 7/8" steel tube outer diameter. Plastic end plug color to match headbox.

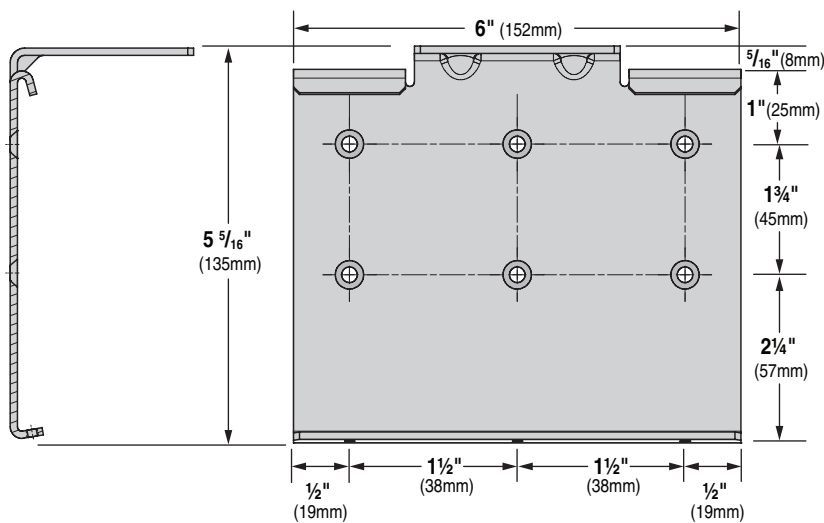
PATENT INFORMATION: available at www.draperc.com/legal/patents

DOWNLOADABLE 3-PART SPECIFICATIONS: available at www.draperc.com.

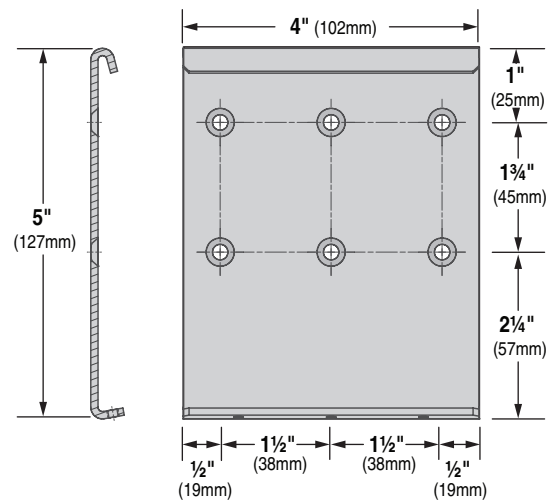
Please note: Dimensions of rollers, operators and hardware at manufacturer's discretion.

Hardware Options

FlexShade XL Ceiling Mounting Bracket

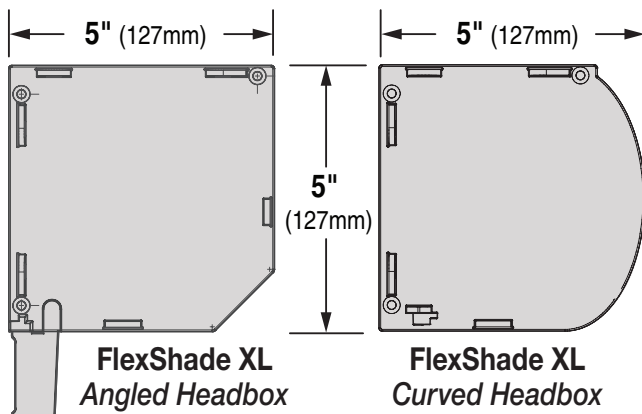


FlexShade XL Wall Mounting Bracket



NOTE: Mounting brackets attach to surface with #10 Flat Head Screw

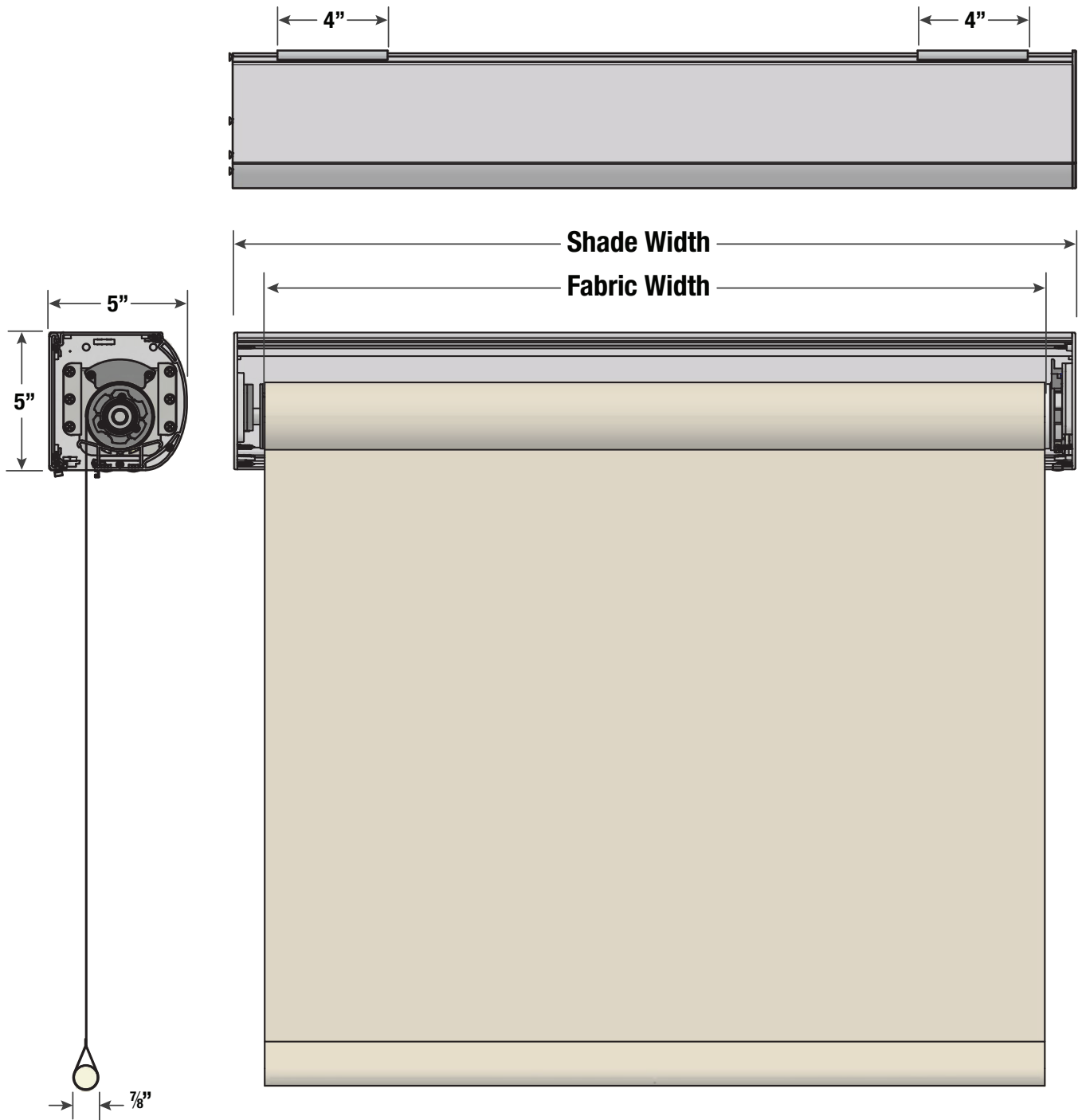
Headbox Options



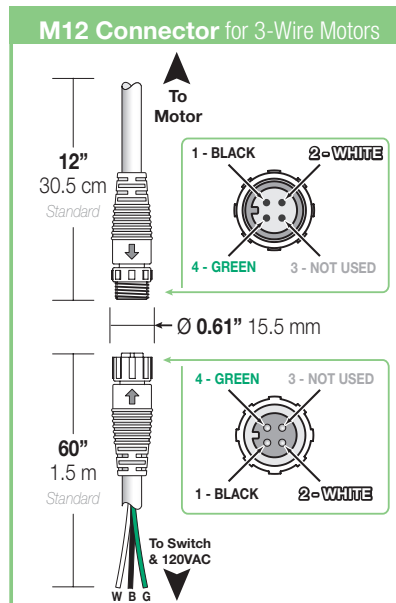
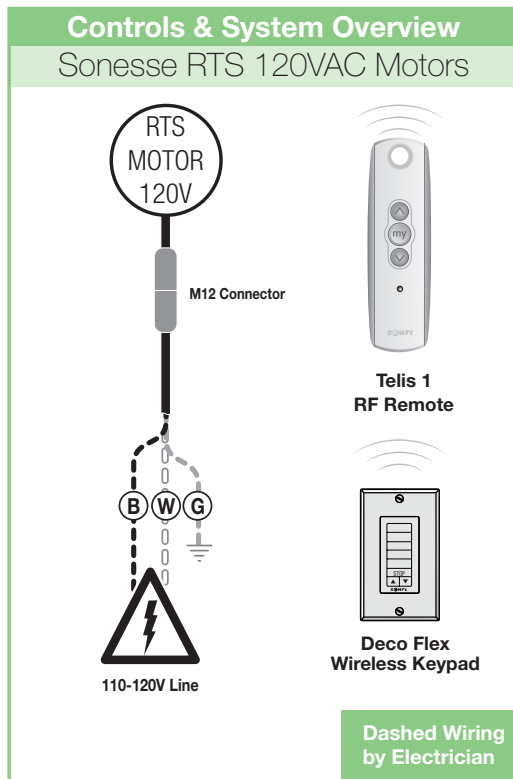
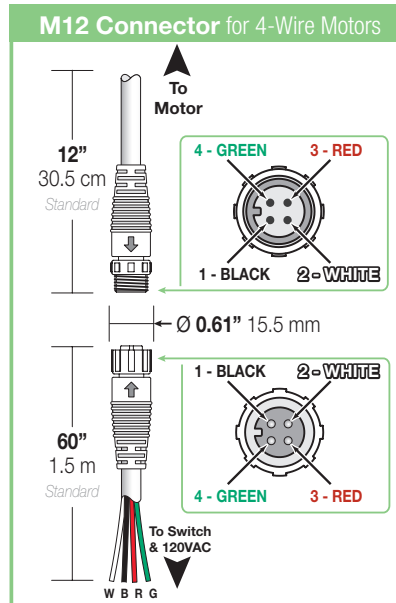
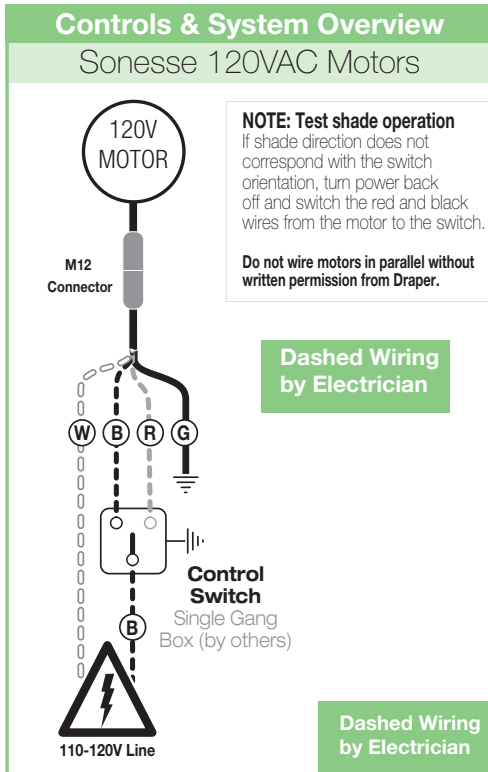
**FlexShade XL
Angled Headbox**

**FlexShade XL
Curved Headbox**

Dimensions



Wiring Diagrams



Please Note: Test shade operation. If shade direction does not correspond with the switch orientation, turn power back off and switch the red and black wires from the motor to the switch.