

# Spring Roller Shade

Simple design with careful craftsmanship for economical medium duty light control

## SUBMITTAL TECHNICAL INFO

Please check all appropriate selections and attach room schedule with verified dimensions.

### Spring Roller Shade Options

Fabric Series: \_\_\_\_\_

Color Name / Number: \_\_\_\_\_

Openness Factor: \_\_\_\_\_

Please see Draper's [Fabric Options](#) page for fabric colors and specifications.

#### Select Hardware

- Universal Brackets (Ceiling / Wall / Inside / Outside)
- Endcaps Only
- Endcaps with Fascia

#### Select Headbox

- Ceiling / Wall (Surface Headbox)
- Pocket Style
- Type "D" Pocket with Tile Lip (White only; not compatible with 3" roller)
- Custom Headbox

#### Select Wall Clip

- With Ceiling Tile Lip
- Without Ceiling Tile Lip

#### Select Closure Panel for Type "D" Pocket or Wall Clip

- 1 1/2"
- 3"
- 5" (For Wall Clip and Custom Headbox Only)

#### Select Hem Bar Style

- 1" Maple Elliptical (standard)
- Open Pocket - 1" Elliptical
- Large Exposed
- 5/16" Tube
- Closed Pocket - 1" Elliptical
- Small Exposed
- 13/16" Tube
- None

#### Available Sizes:

		WIDTH												
		2'	3'	4'	5'	6'	7'	8'	9'	10'	11'	12'	13'	14'
HEIGHT	2'													
	3'													
	4'													
	5'													
	6'													
	7'													
	8'													
	9'													
	10'													
	11'													
	12'													
	13'													
	14'													

\* Sizes requiring large endcaps/brackets will vary according to fabric.

#### Select Pull Type

- Cord
- Ring
- None

#### Select Hardware Finish (does not apply to Type "D" Headbox)

- Clear Anodized (standard)
- Black
- White
- Ivory
- Bronze
- Custom (Contact Draper)

### Specifications

#### EQUIPMENT

**SPRING ROLLER OPERATOR:** Institutional quality, all with heavy-duty springs. All shades are mounted on one piece electro-galvanized, or enamel, steel rollers.

#### COMPONENTS

**ROLLERS:** Galvanized steel or extruded aluminum.

1 1/4" dia. x .029" wall  
 1 1/2" dia. x .062" wall  
 1 3/4" dia. x .0345" wall  
 2 1/4" dia. x .024" wall

**MOUNTING BRACKETS:** 1018 plated steel stamping. Sizes 1 5/8" and 2 1/4". Mount to face, ceiling, or jamb. Brackets do not require additional adapters.

**ROLLER IDLER ASSEMBLY:** Fiberglass reinforced polyester thermopolymer (PBT), with spring-loaded pin to interlock with mounting bracket.

**SLAT:** 1" maple elliptical slat encased in a head seamed hem with pull cord standard. **Closed Pocket Elliptical Slat:** 1" (25mm) aluminum elliptical slat inside of a 1 5/8" (30mm) heat sealed pocket. **Open Pocket Elliptical Slat:** 1" (25mm) aluminum elliptical slat with plastic ends inside of a 1 5/8" (30mm) heat sealed pocket. **Flat Exposed Hem Bar:** Small: 7/8" x 5/16" (22x8mm) Large: 1 1/2" x 5/16" (38x8mm) aluminum rectangular with plastic end caps. **Round Exposed Hem Bar:** Small: 5/8" (16mm) Large: 1 3/16" (30mm) aluminum with plastic end caps. Exposed hem bars powder coated in black, bronze, ivory, white or clear anodized.

**ENDCAPS:** 1018 steel stamping. 2 sizes: 3/4" x 3/4" and 4 1/2" x 4 1/2". Complete with adapter roller bracket. Installs to face, ceiling, or jamb. Accepts box covers and fabric guide.

**ENDCAP COVERS:** Plastic covers snap onto endcaps. Available in ivory, bronze, black or white to match fascia.

**FASCIA:** "L" cover of extruded aluminum, .060 (1.5mm) wall. Fascia snaps onto endcaps without exposed fasteners. Clear Anodized (standard), black, white, ivory, or bronze powder coat finish available. Continuous fascia available with coupled units.

**SURFACE HEADBOX:** Consists of fascia, "L" shaped back/top cover. Endcaps slide into extrusion without exposed fasteners.

**POCKET HEADBOX:** Optional, for pocket installation, includes a "U" shaped back/top/front cover with removable bottom closure panel.  
 small size: 3 7/16" x 3 15/16" (87x100mm).  
 Large size: 4 11/16" x 4 11/16" (119x119mm). Some exposed fasteners required.

**TYPE "D" POCKET:** Type "D" Shade Pocket, extruded aluminum, for perimeter installation. Accepts FlexShades installed with ceiling brackets. Finished in white paint.  
 5" x 5 3/8" x .125" (127x136x3mm) with 7/8" (22mm) tile support lip & removable bottom closure.

**LIGHT GAP REDUCTION HARDWARE:** Extruded aluminum. Accepts edges of fabric, prevents light gaps. Interior of channel provides for use of flat head screws. Available with or without lining.

Zytel® is a registered trademark of E. I. du Pont de Nemours & Company. DuPont™ is a trademark of E. I. du Pont de Nemours & Company.

**PATENT INFORMATION:** available at <http://www.draperinc.com/legal/patents/>

**DOWNLOADABLE 3-PART SPECIFICATIONS:** available at [www.draperinc.com](http://www.draperinc.com).

**Please note:** Dimensions of rollers, operators and hardware at manufacturer's discretion.

PROJECT: \_\_\_\_\_

ARCHITECT: \_\_\_\_\_

CONTRACTOR: \_\_\_\_\_

SUPPLIER: \_\_\_\_\_

DATE: \_\_\_\_\_ REVISED: \_\_\_\_\_



Draper, Inc. | 411 S. Pearl St. Spiceland, IN 47385  
 draperinc.com | 765.987.7999 | 800.238.7999

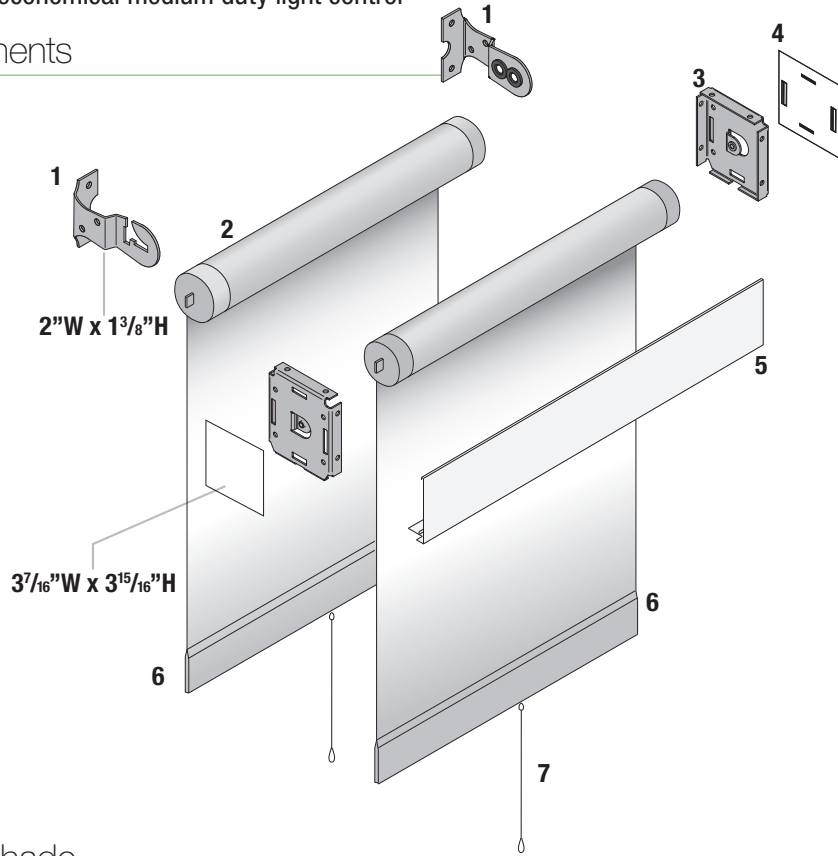
© 2019 All Rights Reserved | FORM: FlexShadeSR\_Sub19

# Spring Roller Shade

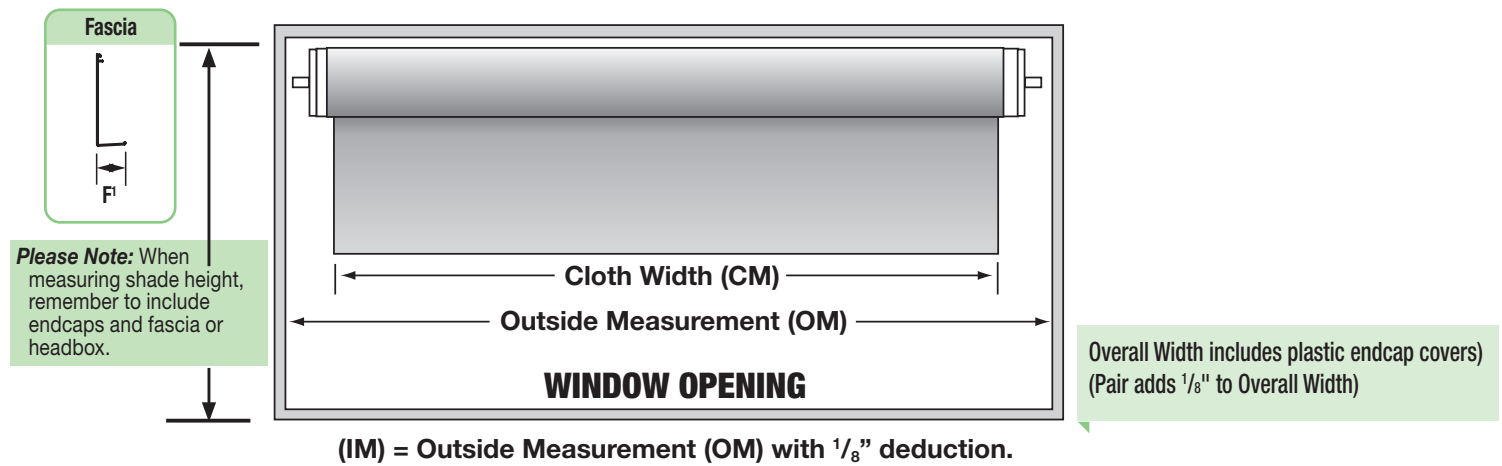
Simple design with careful craftsmanship for economical medium duty light control

## Spring Roller FlexShade Components

- 1 Universal Wall/Ceiling Bracket
- 2 Spring Operator
- 3 Fascia Endcap
- 4 Fascia Endcap Cover
- 5 Fascia
- 6 Kiln-dried Maple Slat
- 7 Optional Pull Cord



## Dimensions—Spring-Roller FlexShade



HEADBOX		
	Small	Large
A1	3 15/16"	4 11/16"
B1	3 7/16"	4 11/16"
C1	5/8"	5/8"
D1	2"	3 1/4"
E1	1/16"	3/32"
F1	1 3/16"	1 9/16"

FASCIA W/ENDCAPS		
	Small	Large
A1	3 7/8"	4 5/8"
B1	3 3/8"	4 5/8"
C1	5/8"	5/8"
D1	2"	3 1/4"
E1	1/16"	3/32"
F1	1 3/16"	1 9/16"

BRACKETS		
	Small	Large
A2	1 3/8"	1 15/16"
B2	2"	2 5/8"
C2	5/8"	13/16"
D2	1 5/8"	2 3/16"
E2	1 1/4"	1 3/4"
F2	N/A	N/A