

FlexShade 2



Please check all appropriate selections and attach room schedule with verified dimensions.

Select Fabric* Color name, no. & openness

- Draper GreenScreen® Revive _____
- Draper SunBloc SB9000 _____
- Draper SunBloc SB9100 _____
- Ferrari Soltis 99® _____
- Mermet "E" Screen _____
- Mermet Flocké _____
- Mermet "M" Screen _____
- Mermet "S" Screen _____
- Mermet SilverScreen _____
- Mermet "T" Screen _____
- Mermet Terra _____
- Mermet Vela _____
- Mermet Vizela _____
- Phifer SheerWeave® Basic _____
- Phifer SheerWeave® Infinity _____
- Phifer SheerWeave® PW3500/4100/4400 _____
- Phifer SheerWeave® PW4500/4600 _____
- Phifer SheerWeave® PW4550/4650 _____
- Phifer SheerWeave® PW4800 _____
- Phifer SheerWeave® SW2000/2100 _____
- Phifer SheerWeave® SW2400/2500/2600/2900 _____
- Phifer SheerWeave® SW2701/2703/2705/2710 _____
- Phifer SheerWeave® SW3000 _____
- Phifer SheerWeave® SW5000 _____
- Phifer SheerWeave® SW7000 _____
- Phifer SheerWeave® SW7100 _____
- Phifer SheerWeave® SW7500 _____
- Rockland Roc-Rol _____

*Please see Draper's Shade Fabric Reference Sheet for fabric colors and specifications.

Select Hardware

- Brackets Only
- Fascia with Endcaps
 - Curved Fascia
 - Square Fascia
- Surface Headbox with Endcaps
 - Curved Headbox
 - Square Headbox

Select Hardware Finish

- Clear Anodized (standard)
- Black Ivory
- White Bronze

Select Operator Location

Select **right side (standard)** or left side as seen from inside the room, facing the window. Also indicate selection on Motorized FlexShade Room Schedule.

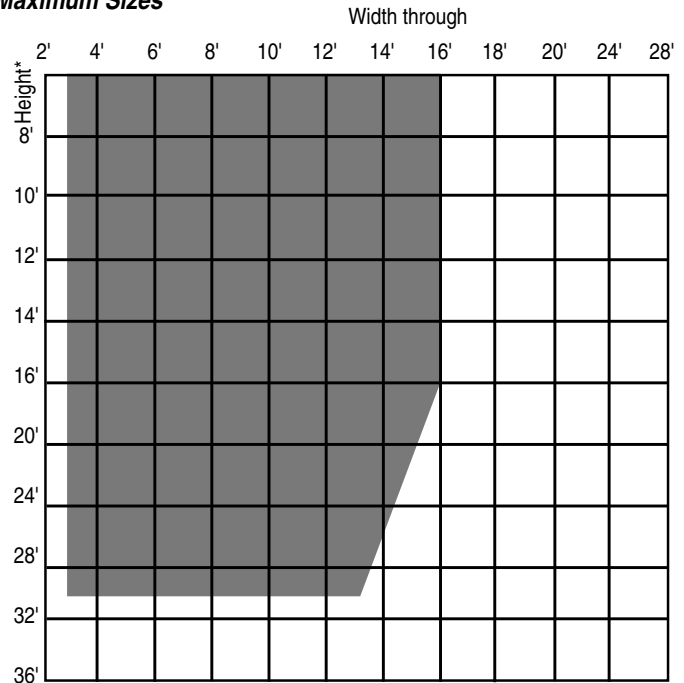
- Right Side (standard)
- Left Side

Select Motor and Control Options

- Standard 110-120V AC Motor**
 - Controls**
 - 110-120V Wall Switch for Single Shade Control
 - Low Voltage and/or Multiple Shade Control*

Please see Draper's IntelliFlex Controls Reference Sheet and IntelliFlex® Control System Planning Sheet to design a control solution for this product. The forms are available at www.draperinc.com, or by contacting Draper.

Maximum Sizes



* Please Note: Maximum shade height is limited by cloth weight and shade width, due to their impact on roller deflection, and by cloth thickness because of bundle diameter. Contact Draper to verify that your shade meets size requirements.

Radio Technology Motor

Controls

- Altus RF
 - 1-Channel Transmitter
 - 4-Channel Transmitter
 - 5-Channel Transmitter with scroll wheel
 - Dry Contact Interface
 - Single Motor Sun Sensor (Circle one: White/Ivory)
- Wireless Wall Switch
 - 1-Channel (Circle one: White/Ivory)
 - 4-Channel (Circle one: White/Ivory)
 - Chronis 1-Channel with 24-hour Timer
- Multi-Link Universal RTS Interface (5-channel)
- Multi-Link RS232 to RTS Interface (16-channel)

Select Fabric Orientation

- Regular Roll (from back of roller)
- Reverse Roll (from front of roller) [Available with brackets only]



PROJECT: _____

ARCHITECT: _____

CONTRACTOR: _____

SUPPLIER: _____

DATE: _____ REVISED: _____

Specifications

Equipment

Electric Operator: Drive unit inside roller, 4-wire, instantly reversible, lifetime lubricated. **Right hand motor location standard**, left hand available. Adjustable limit switches, thermal overload protector and electric brake. Operates on 110-120V AC 1 PH 60 HZ current. Draws 1.1 Amps. For controls, see IntelliFlex® Controls Reference Sheet and IntelliFlex Controls Planning Sheet.

RTS Operator: Drive unit inside roller, 3-wire, instantly reversible, lifetime lubricated. **Right hand motor location standard**. Left hand available. Built-in radio receiver. Limit switches adjustable using wall switch or remote control. Thermal overload protector and electric brake. Operates on 110-120V AC 1 PH 60 HZ current. Draws 1.1 Amps.

Hardware

Rollers: Size—4" O.D. steel tube. Roller assembly easily removable.

Mounting Brackets: 1018 plated steel stamping, suitable for mounting to wall, ceiling, or jamb. Brackets do not require additional adapters.

Roller Idler Assembly: Zinc-plated steel shaft supported by roller bearings in an aluminum housing.

Slat: 1³/₁₆" aluminum dowel, encased in heat sealed hem.

Endcaps: 1028 steel stamping. Complete with adapter roller bracket. Installs to wall, ceiling, or jamb. Accepts fascia or headbox. Clear anodized (standard), or black, white, ivory, or bronze powder coat finish available.

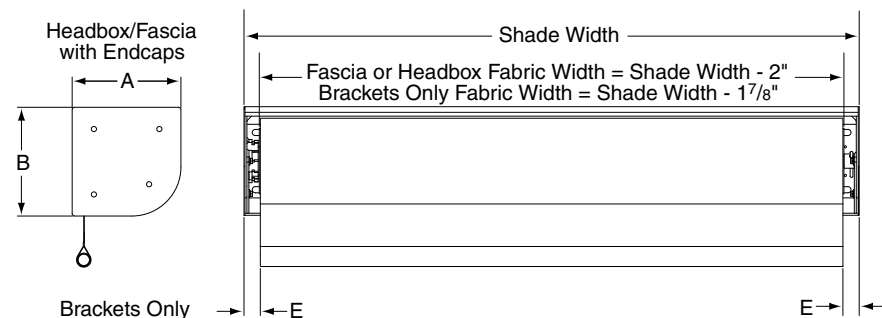
Fascia: 6¹/₂" x 6¹/₂" curved or square cover of extruded aluminum, .125 wall. Assembly snaps onto endcaps without exposed fasteners. Clear anodized (standard), or black, white, ivory, or bronze powder coat finish available.

Headbox: 6⁵/₈" x 6⁵/₈" curved or square fascia and L-shaped back/top cover to be fabricated of extruded aluminum. Clear anodized (standard), or black, white, ivory, or bronze powder coat finish available.

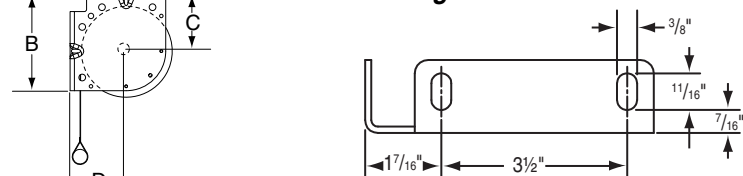
Please note: Dimensions of rollers, operators and hardware at manufacturer's discretion.

Downloadable 3-part specifications are available at www.draperinc.com.

FlexShade 2 Dimensions



Mounting Hole Dimensions/Locations



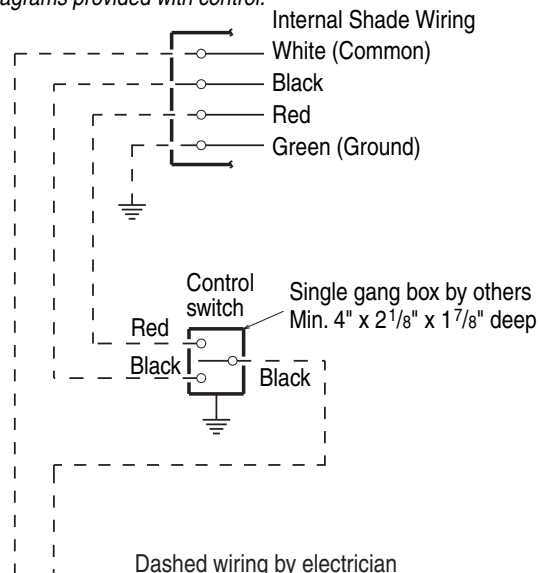
NOTE: Fascia or headbox will add 1/8" between the wall and the bracket; headbox will add 1/16" between ceiling or wall and the bracket.

	Headbox with Endcaps	Fascia with Endcaps	Brackets Only
A	6 ⁵ / ₈ "	6 ¹ / ₂ "	5 ⁷ / ₁₆ "
B	6 ⁵ / ₈ "	6 ¹ / ₂ "	5 ⁷ / ₁₆ "
C	N/A	N/A	3 ¹ / ₄ "
D	N/A	N/A	3 ¹ / ₄ "
E	1"	1"	1 ⁵ / ₁₆ "

Please Note: Maximum bundle diameter is 5¹/₄" (with Headbox, Fascia or Brackets)

Single Shade Wiring Diagram

For multiple shades or low voltage wiring, please consult diagrams provided with control.



To 110-120V Line

NOTE: Test shade operation. If shade direction does not correspond with the switch orientation, turn power back off and switch the red and black wires from the motor to the switch.

FlexShade 2—Hardware/Parts

