

# FlexShade® Ascend

Cordless operated manual shade with available fascia

## SUBMITTAL TECHNICAL INFO

### FS ASCEND

Please check all appropriate selections and attach room schedule with verified dimensions.

Fabric Series: \_\_\_\_\_

Color Name / Number: \_\_\_\_\_

Openness Factor: \_\_\_\_\_

Please see [Draper® Fabric Options](#) for fabric colors and specifications.

### Specifications

#### EQUIPMENT

**SPRING OPERATOR:** Balanced spring mechanism with metal roller. Adjuster ring built into the spring mechanism allows for finite adjustment of the torque output of the mechanism by turning it clockwise or counterclockwise. A built-in limiter prevents over extension of the spring mechanism.

#### COMPONENTS

**ROLLERS:** Fabricated from extruded aluminum, galvanized steel, or enameled steel. Diameter, wall thickness, and material selected by manufacturer to accommodate shade type and size. Minimum roller diameter 1.54 inches (38mm) dia. with .065 wall, 2" (51mm) dia. with .080 wall.

#### UNIVERSAL MOUNTING BRACKETS:

1018 plated steel stamping. Sizes 1 3/8" (41mm) and 2 1/4" (57mm). Mount to face, ceiling, or jamb. Brackets do not require additional adapters. Powder coated white.

#### ENDCAPS:

1018 steel stamping. 2 sizes: 3 3/8" x 3 7/8" (86x98mm) and 4 3/8" x 4 3/4" (117x117mm). Complete with adapter roller bracket. Installs to face, ceiling, or jamb. Accepts box covers and fabric guide.

#### ENDCAP COVERS:

Plastic covers snap onto endcaps. Available in silver, ivory, bronze, black, or white to match fascia.

#### FASCIA:

"L" cover of extruded aluminum, .060 (1.5mm) wall. Fascia snaps onto endcaps without exposed fasteners. Clear Anodized (standard), black, white, ivory, or bronze powder coat finish available. Custom powder coat colors available. Continuous fascia available with side-by-side units.

#### SURFACE HEADBOX:

Consists of fascia, "L" shaped back/top cover of extruded aluminum. Endcaps slide into extrusion without exposed fasteners.

#### ROLLER IDLER ASSEMBLY:

Fiberglass reinforced polyester thermopolymer (PBT), with spring-loaded pin to interlock with mounting bracket.

#### FABRIC ATTACHMENT:

Fabric connected to the roller tube with LSE (low surface energy) double sided adhesive specifically developed to attach coated textiles to metal.

#### HEM BAR:

**OPEN POCKET ELLIPTICAL SLAT:** 1 inch (25mm) aluminum elliptical slat with plastic ends inside of a 1 1/8 inch (41mm) pocket.

**FLAT EXPOSED HEM BAR:** Small: 3/8 inch x 3/8 inch (22mm x 8mm) aluminum rectangular hem bar with plastic end caps.

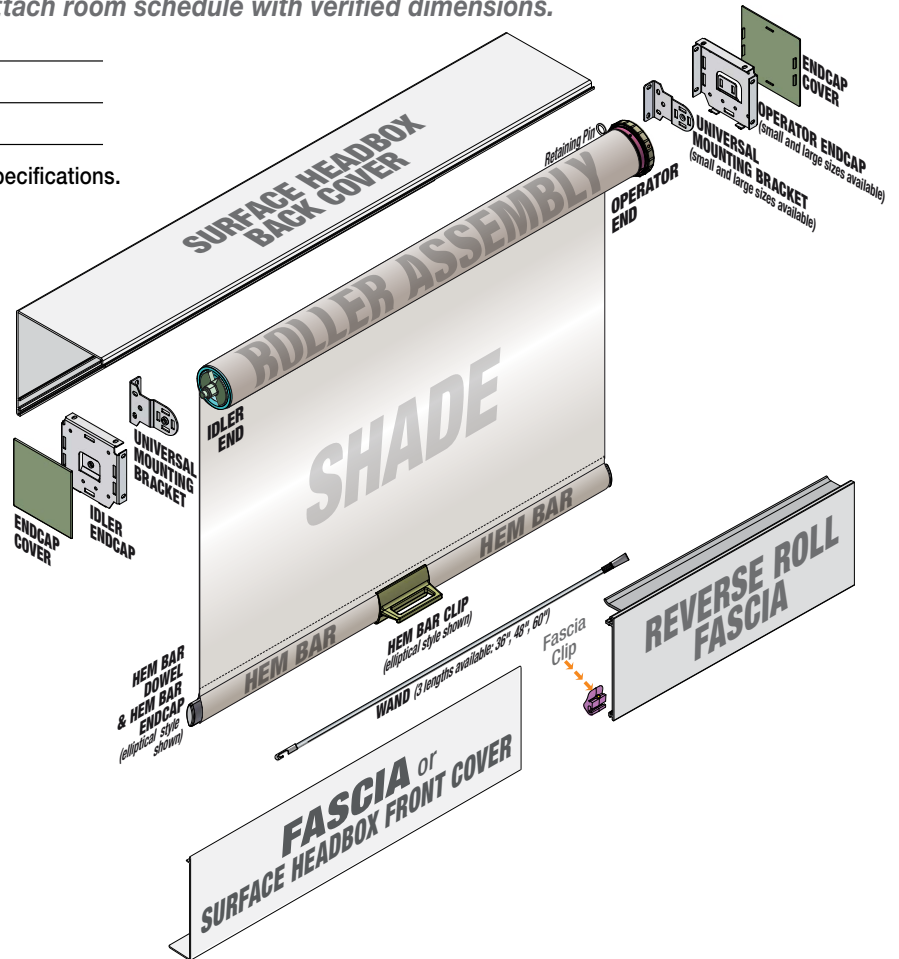
**LARGE EXPOSED HEM BAR:** 1 1/2 inch x 3/8 inch (38mm x 8mm) aluminum rectangular hem bar with plastic end caps.

**ROUND EXPOSED HEM BAR:** Small 3/8 inch (16mm) and Large 1/2 inch (21mm) aluminum with plastic end caps.

#### DOWNLOADABLE 3-PART SPECIFICATIONS:

[www.draperinc.com](http://www.draperinc.com)

Please note: Dimensions of rollers, operators, and hardware at manufacturer's discretion.



#### Select Fabric Orientation:

- Regular Roll  
*(Operator on the RIGHT)*
- Reverse Roll  
*(Operator on the LEFT)*

#### Select Hardware

- Universal Brackets
- Endcaps Only:
  - Small     Large
- Endcaps with Fascia:
  - Small     Large
- Surface Headbox  
*(Back Cover + Front Cover)*

#### Select Hardware Finish

- Clear Anodized (Standard)
- Ivory Black
- Bronze
- White
- Custom (Contact Draper)

#### Select Hem Bar Style

- Open Pocket (1" Elliptical)
- Exposed Hem Bar
  - Small Flat Exposed Hem Bar
  - Large Flat Exposed Hem Bar
  - Round Exposed Hem Bar

#### Select Exposed Hem Bar color

- TEXTURED COLORS:**
- Black     White
  - Ivory     Bronze

#### Select Optional Accessory

- Pull-Down Wand  
*(Available in White only)*
  - 36"     48"     60"

#### Available Sizes:

WIDTH:	2'	3'	4'	5'	6'	7'	8'	9'	10'	11'
HEIGHT	2'									
3'										
4'										
5'										
6'										
7'										
8'										
9'										
10'										
11'										
12'										

Small endcaps/brackets  
 Large endcaps/brackets may be required.  
 Sizes requiring large endcaps/brackets will vary according to fabric.

PROJECT: \_\_\_\_\_

ARCHITECT: \_\_\_\_\_

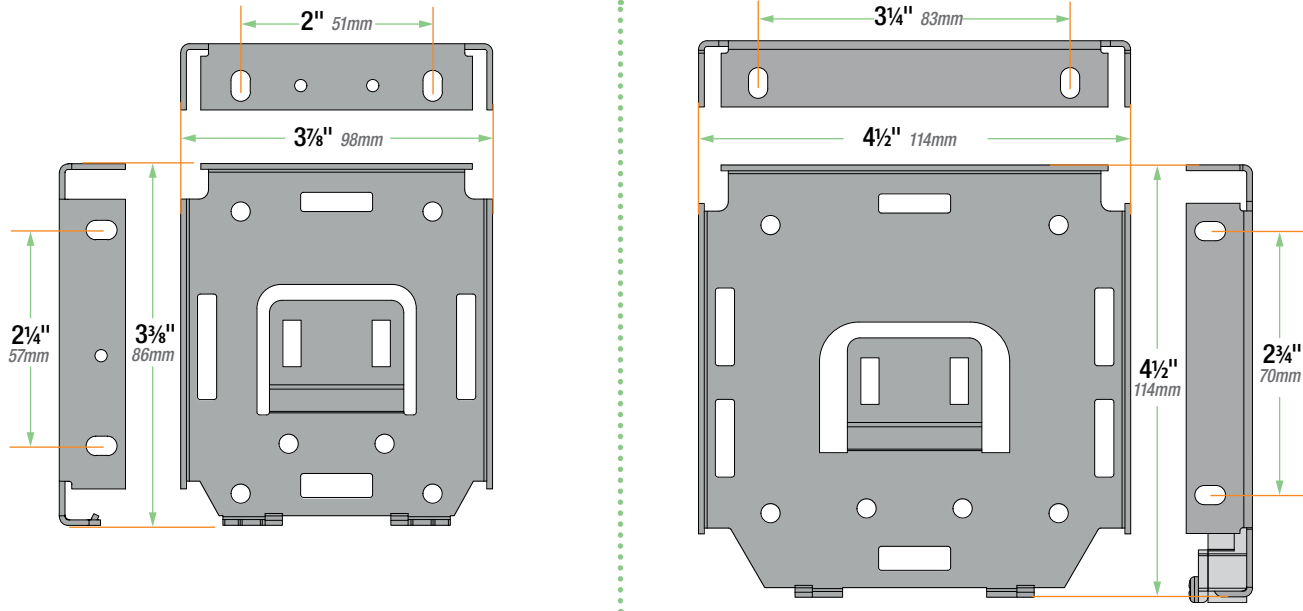
CONTRACTOR: \_\_\_\_\_

SUPPLIER: \_\_\_\_\_

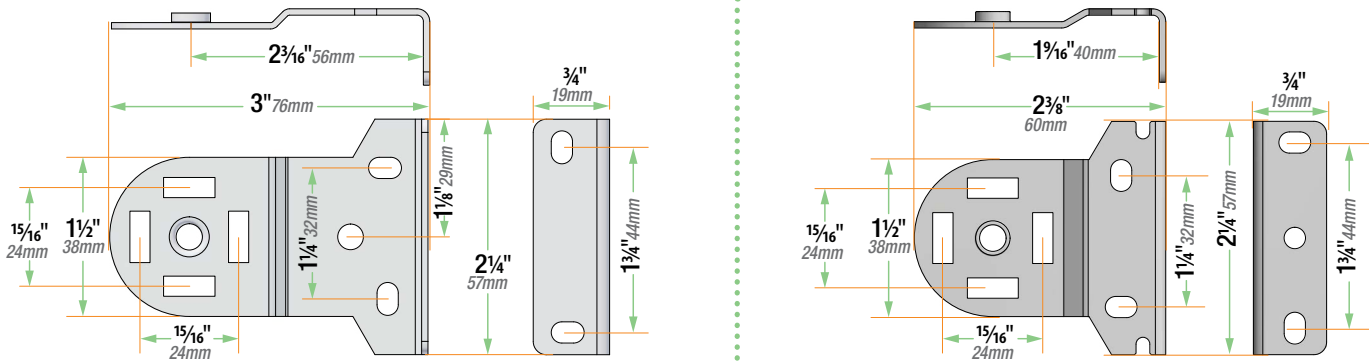
DATE: \_\_\_\_\_ REVISED: \_\_\_\_\_



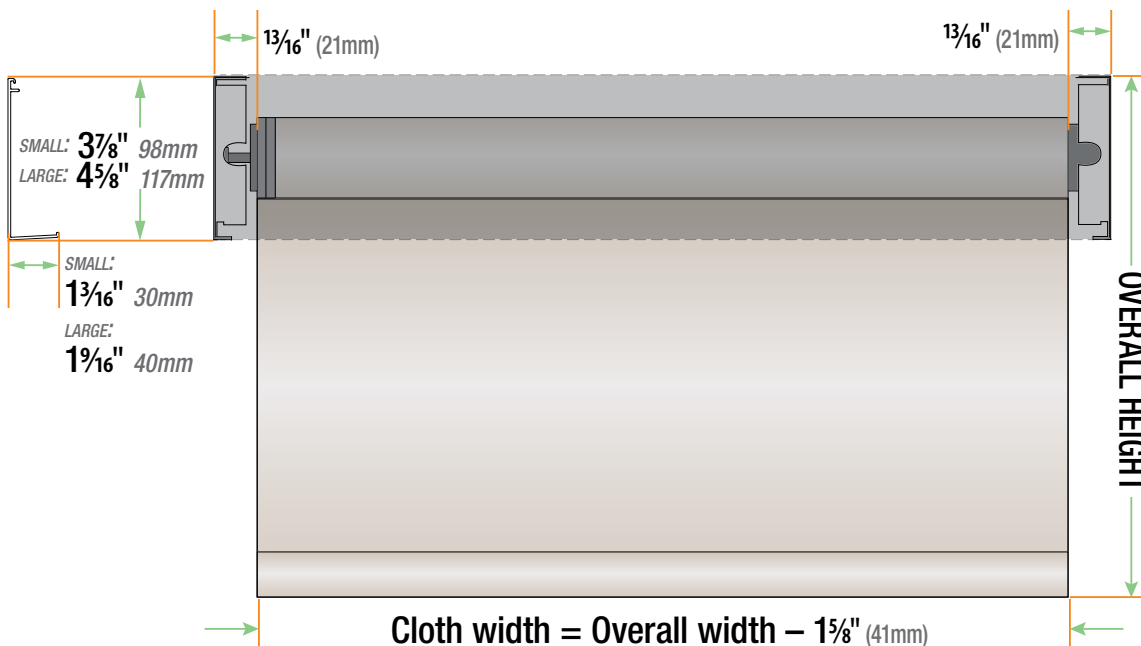
## Endcap Dimensions



## Bracket Dimensions



## Shade Dimensions



Cloth width = Overall width - 1 5/8" (41mm)

Shade Overall Width includes plastic endcap covers.

Pair of small endcap covers adds 1/8" (3.2mm) to Overall Width.

Pair of large endcap covers adds 3/16" (4.8mm) to Overall Width.