

Exterior Motorized FlexShade®

Exterior shading system with smooth, quiet operation and independent control

SUBMITTAL TECHNICAL INFO

Please check all appropriate selections and attach room schedule with verified dimensions.

Fabric Series: _____

Color Name / Number: _____

Openness Factor: _____

Please see [Draper® Fabric Options](#) for fabric colors and specifications.

Select Hardware

Select Headbox Style

- Curved Square

Select Hardware Finish

- Black Bronze Ivory
 White Sand Silver

Select Cable Exit Location

Please Note: For cable exit information, see installation instructions.

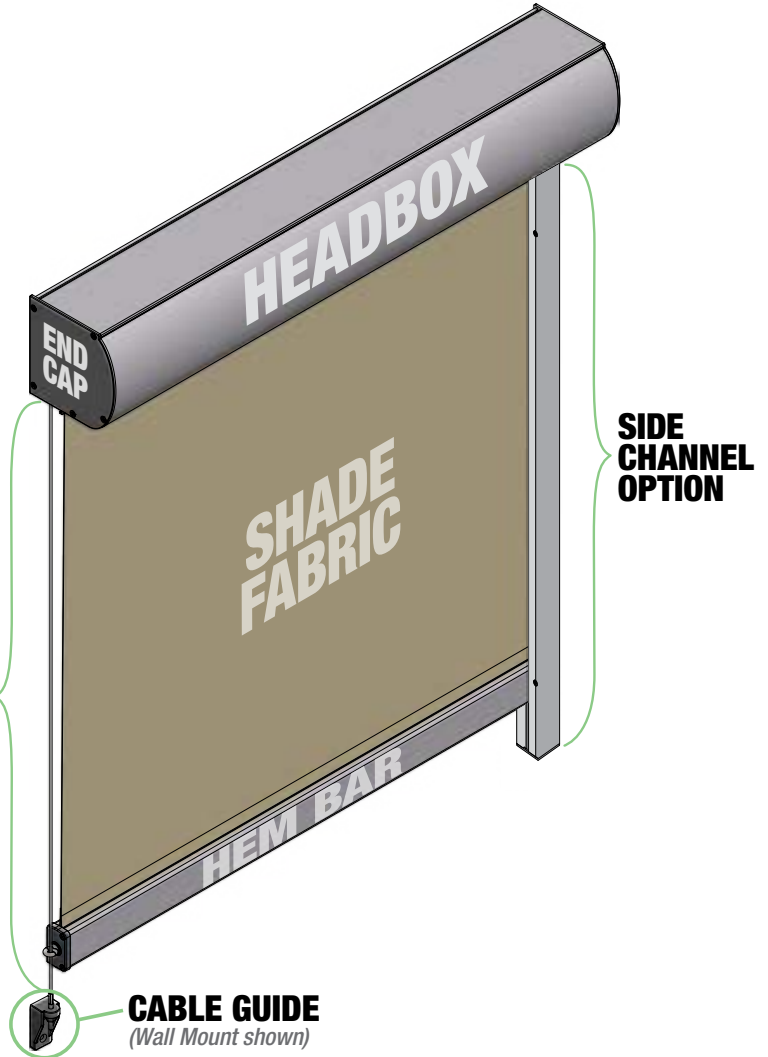
- None (standard) Top
 Side Back

Select Liner Options

- Headbox
 Side Channel
 Hem Bar
 .140" (3.6mm) .310" (7.9mm)
 .450" (11.4mm) 1" (25mm) height liner
 Vinyl bulb seal

Select Guide Type

- Side Cable Side Channel
 Wall Mount Channel Adaptors (see p.4)
 Deck Mount
- C073.002 Qty: _____
 C090.053 Qty: _____
 C090.054 Qty: _____
 C104.148 Qty: _____



Select Operator and Controls

Select Motor Location (front view)

- Right (standard)
 Left

Select 120V AC Operator

- Sonesse® RTS (standard)
 Sonesse® 120V Motor

Select Interior Control Options

- RTS
 Wireless Wall Switch
 Decora RTS 1-Channel
 White (standard)
 Ivory
 Decora RTS 5 Channel
 White (standard)
 Ivory

Select Exterior Control Options

- Telis 1 Patio Exterior Remote
 Telis 4 Patio Exterior Remote
 1 Channel Soliris Patio Remote
 4 Channel Soliris Patio Remote

Select Exterior Sensors

- Ondeis WireFree Rain/Sun Sensor
 Sunis Outdoor WireFree Sun Sensor
 Eolis-RTS Wind Sensor
 Soliris-RTS Wind/Sun Sensor

Please Note:
 For more information about operators and controls, see installation instructions.

Available Sizes:

| WIDTH | 4' (122cm) | 5' (152cm) | 6' (183cm) | 7' (213cm) | 8' (244cm) | 9' (274cm) | 10' (305cm) | 11' (335cm) |
|-------------|---------------|---------------|---------------|---------------|---------------|---------------|----------------|----------------|
| 2' (61cm) | | | | | | | | |
| 3' (91cm) | | | | | | | | |
| 4' (122cm) | | | | | | | | |
| 5' (152cm) | | | | | | | | |
| 6' (183cm) | | | | | | | | |
| 7' (213cm) | | | | | | | | |
| 8' (244cm) | | | | | | | | |
| 9' (274cm) | | | | | | | | |
| 10' (305cm) | | | | | | | | |
| 11' (335cm) | | | | | | | | |

* Maximum size will vary according to fabric selection.



Draper, Inc. | 411 S. Pearl St. Spiceland, IN 47385
 draperinc.com | 765.987.7999 | 800.238.7999

© 2021 All Rights Reserved | FORM: Exterior_FS_MO_Sub20

PROJECT: _____

ARCHITECT: _____

CONTRACTOR: _____

SUPPLIER: _____

DATE: _____ REVISED: _____

Specifications

EXTERIOR MOTORIZED SHADING

SYSTEM: Electrically operated, motorized, vertical roll-up, fabric shading system. Assembly includes motor operator, controls, mounting hardware, and other components necessary for complete installation. Exterior Motorized FlexShade® as manufactured by Draper®, Inc.

ELECTRIC OPERATOR: Tubular motor concealed inside shade roller tube. **LOCATION:** Right hand: standard; Left hand: As scheduled.

STANDARD MOTOR: Sonesse® Radio Technology Motor: 110-120V AC, single-phase, 60 Hz, instantly reversible, lifetime lubricated motor with a built-in radio receiver, equipped with internal thermal overload protector, electric brake, and pre-set accessible limit switches. (Compatible with Wireless Radio Technology Controls.)

OPTIONAL WIRED MOTOR: Sonesse® 110-120V AC, single-phase, 60 Hz, instantly reversible, lifetime lubricated, and equipped with internal thermal overload protector, electric brake, and pre-set accessible limit switches.

ROLLER: 2.364 inch (60 mm) outside diameter (at manufacturer's discretion); aluminum.

ROLLER IDLER ASSEMBLY: Plastic idle end insert into roller will fit over steel pin and rotate on pin with use of sealed bearing. Steel pin connects to bearing mounted to bracket mounted inside the headbox. Systems not using sealed bearings are not acceptable.

FABRIC CONNECTION TO ROLLER TUBE: Fabric panel attaches with double sided adhesive (LSE) at the top and hem pocket at the bottom to allow connection to the hem bar.

HEM BAR: Weighted aluminum. Optional bottom liners.

HEADBOX: Cassette-style extruded aluminum sections. 3 3/8" x 3 5/8" (92 mm x 92mm) by length required for shade being provided.

SHAPE: Square, Curved.

FINISH: Silver, black, sand, white, ivory, or bronze powder coat.

HEM BAR CONTAINMENT:

GUIDE CABLES: Deck Mount or Wall Mount OR

SIDE CHANNELS: Extruded aluminum

SIZE: 1 3/8" x 1 3/8" (41 mm x 41mm)

FINISH: Silver, black, sand, white, ivory, or bronze powder coat.

PATENT INFORMATION:

<http://www.draperinc.com/legal/patents>

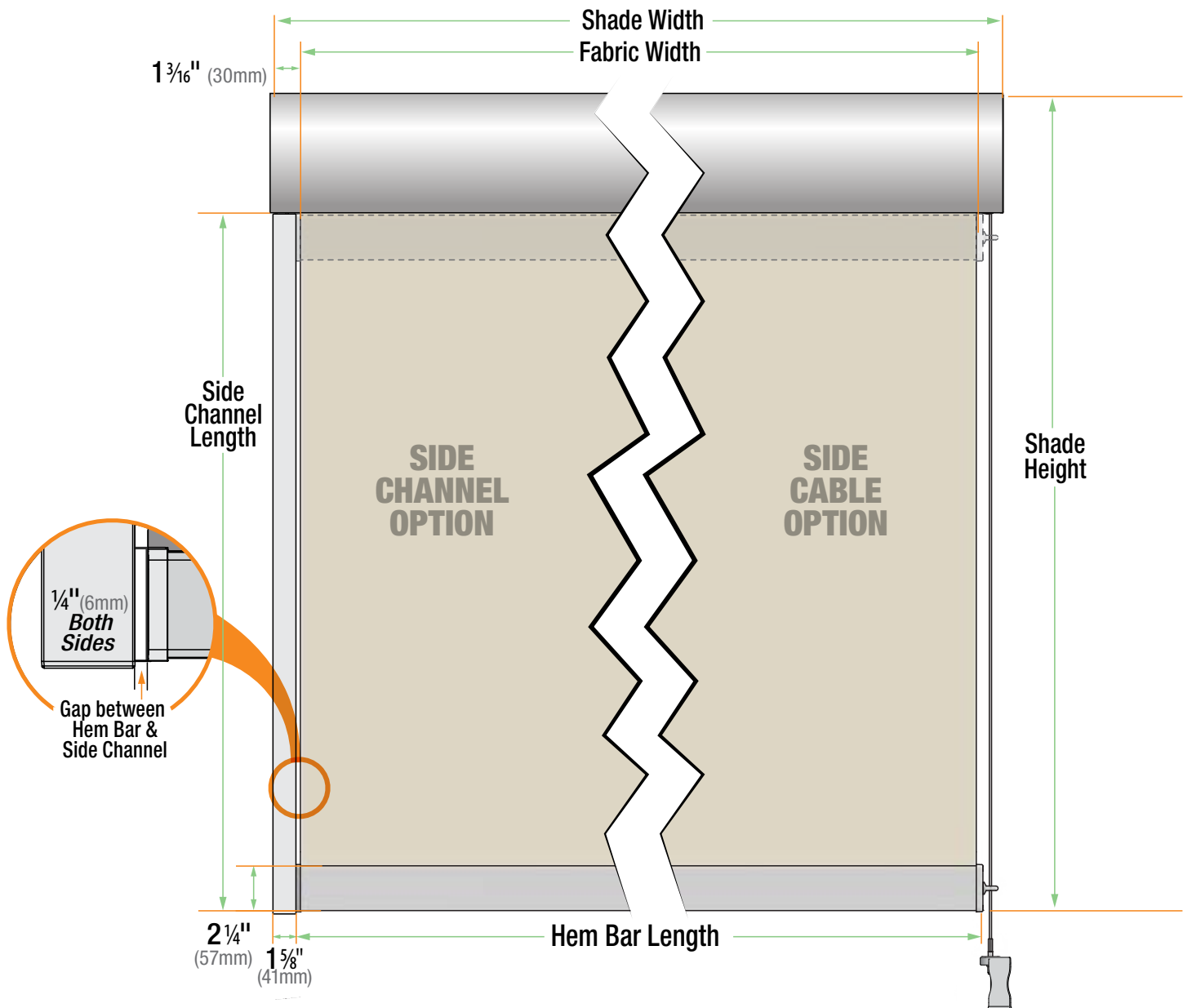
DOWNLOADABLE 3-PART SPECIFICATIONS:

www.draperinc.com

Please note: Dimensions of rollers, operators, and hardware at manufacturer's discretion.

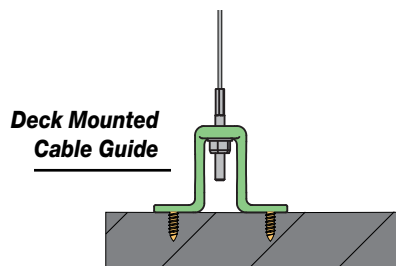
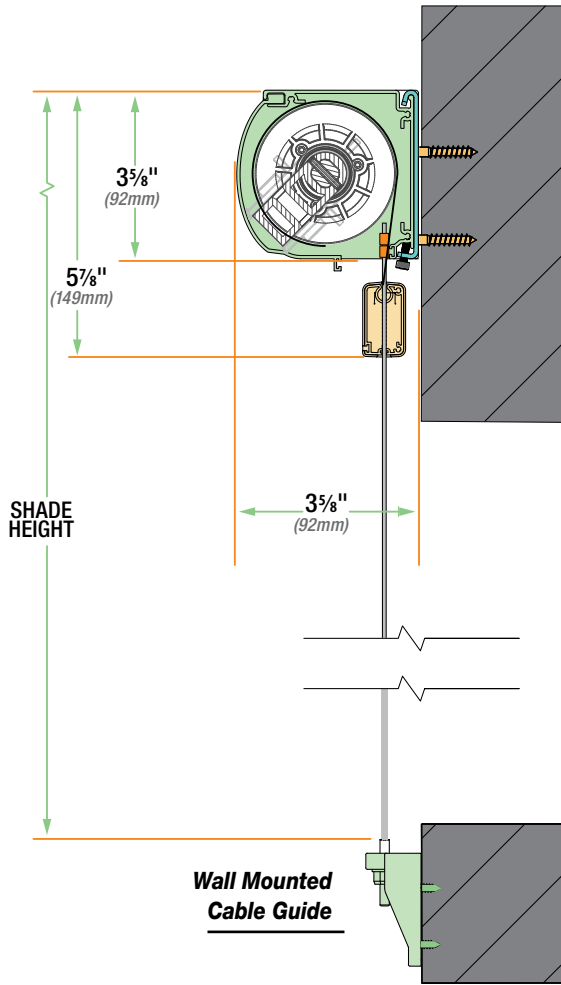
Sonesse® is a registered trademark of Somfy® Systems, Inc.

Dimensions

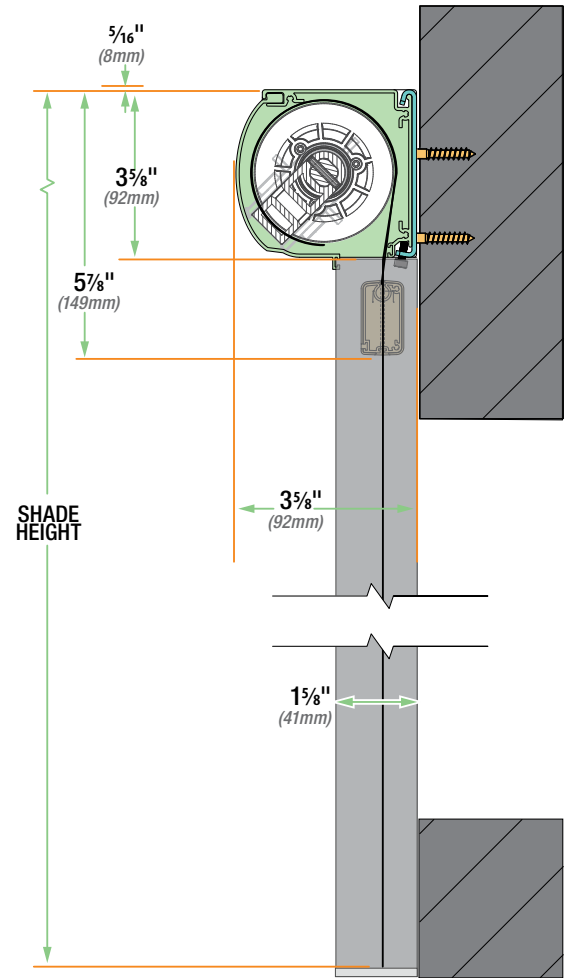


Assembled Dimensions: Side View

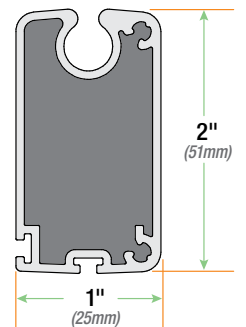
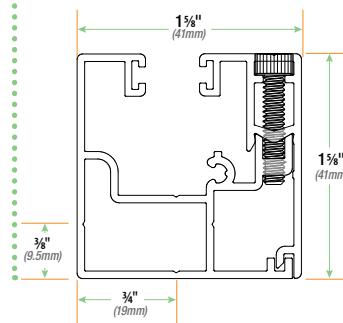
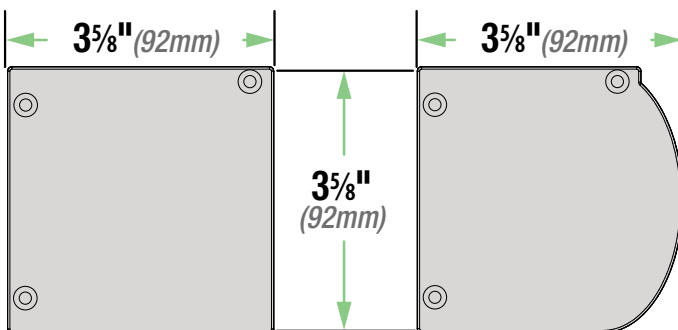
Side Cable Option



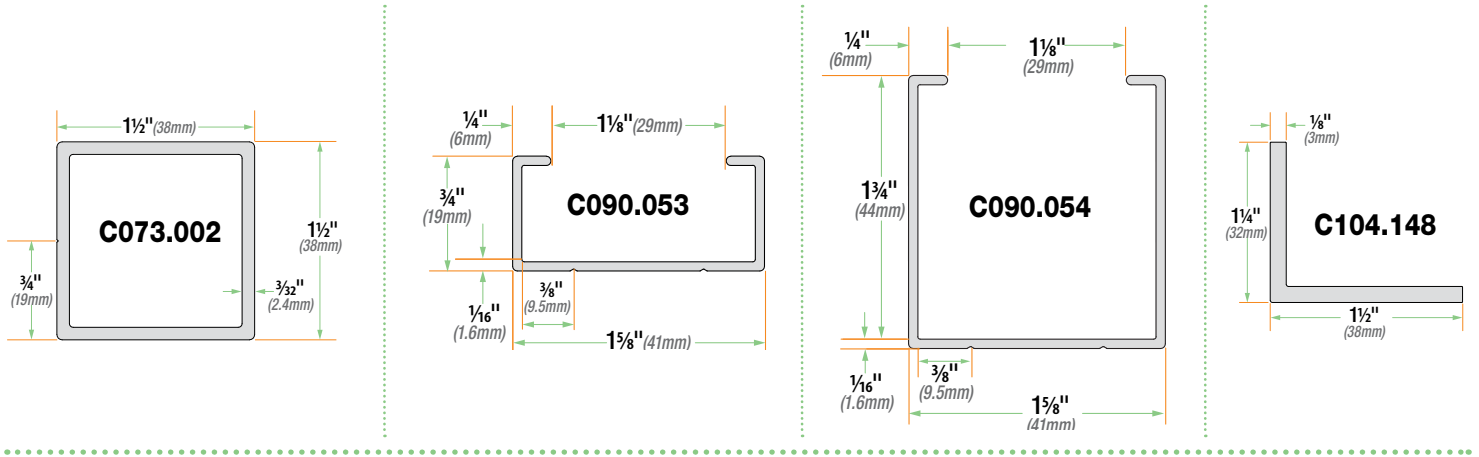
Side Channel Option



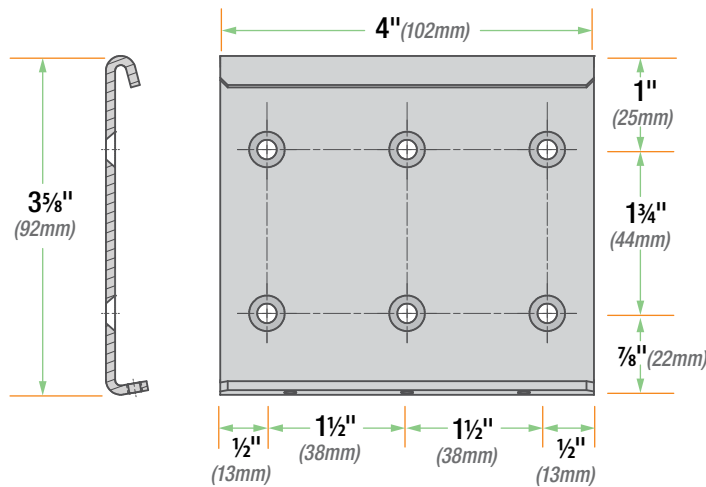
Component Dimensions



Optional Channel Adaptors



Wall Mounting Bracket

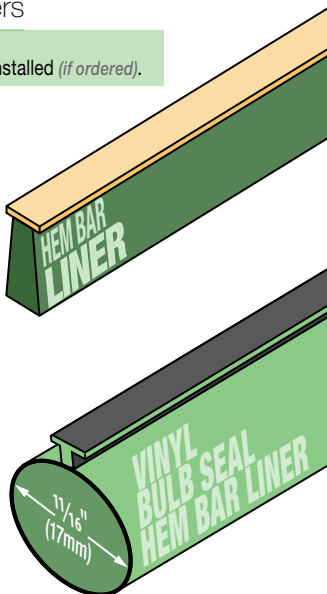


NOTE: Mounting brackets attach to surface with #10 Flat Head Screw.

Hem Bar Liners

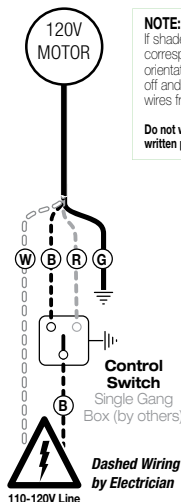
Please Note:
 Liner is factory installed (if ordered).

- C037.002:**
 .140" (3.6mm) height liner
- C037.003:**
 .310" (7.9mm) height liner
- C037.004:**
 .450" (11.4mm) height liner
- C037.015:**
 1" (25mm) height liner



Wiring Diagrams

Controls & System Overview Sonesse® 120VAC Motors



Controls & System Overview Sonesse® RTS 120VAC Motors

