

Exterior Clutch-Operated FlexShade®

Outdoor shading system with smooth, quiet operation and independent control

SUBMITTAL TECHNICAL INFO

EXT FLEX CLN

Please check all appropriate selections and attach room schedule with verified dimensions.

Fabric Series: _____

Color Name / Number: _____

Openness Factor: _____

Please see [Draper® Fabric Options](#) for fabric colors and specifications.

Select Hardware Finish

- Black Bronze Ivory
- White Sand Silver

Select Liner Options

- Side Channel
- Hem Bar
 - .140" (3.6mm) .310" (7.9mm)
 - .450" (11.4mm) 1" (25mm) height liner
 - 1/16" (17.5mm) Vinyl bulb seal

Select Side Cable Placement

- Wall Mount Deck Mount

Select Clutch Color

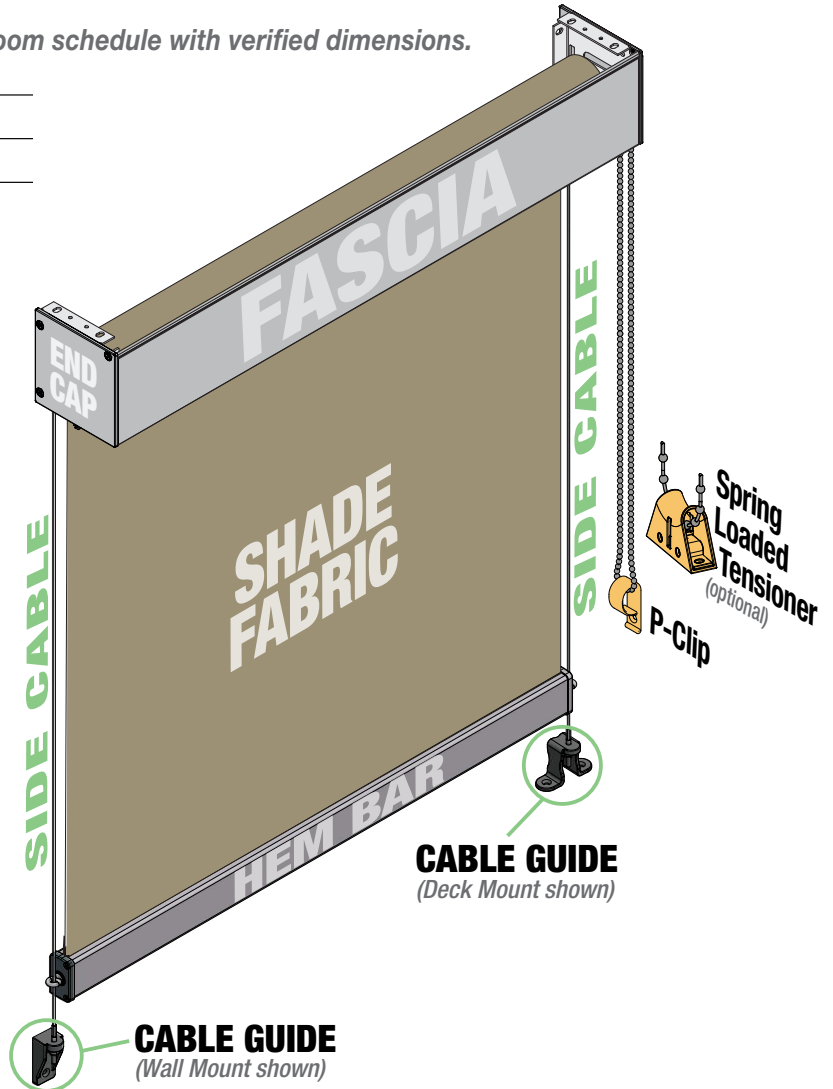
- White (standard) Black (optional)

Select Bead Chain Type:

- Steel Chain
 - Stainless Steel (standard) Black Steel
 - White Steel
- Polyester Chain
 - Black Bronze White
 - Ivory Grey

Select Cord Tension Device:

- 'P'-Clip Cord Tension Device (standard)
- Spring-Loaded Cord Tension Device (optional, but required for ANSI/WCMA A100.1 Compliance)



Available Sizes:

WIDTH	4'	5'	6'	7'	8'	9'	10'	11'
	(122cm)	(152cm)	(183cm)	(213cm)	(244cm)	(274cm)	(305cm)	(335cm)
2' (61cm)								
3' (91cm)								
4' (122cm)								
5' (152cm)								
6' (183cm)								
7' (213cm)								
8' (244cm)								
9' (274cm)								
10' (305cm)								
11' (335cm)								

* Maximum size will vary according to fabric selection.

Child Safety Information

ANSI/WCMA A100.1-2018 standard (developed by the Window Coverings Manufacturer's Association and the Consumer Product Safety Commission) was established on December 15, 2018, to eliminate strangulation hazards for small children from hanging cords and chain loops.

When dealers specify that custom shades comply with ANSI/WCMA A100.1-2018, Draper® provides a pre-installed Spring-Loaded Chain Tension Device (shown at right) for clutch-operated units. When properly installed, tension device prevents creation of a hazardous loop by maintaining tension on bead chain. If not installed properly, shade is partially inoperable.

For more information, please see ANSI/WCMA A100.1-2018 compliance page: www.draperinc.com/windowshades/wcma-compliance.aspx



Draper, Inc. | 411 S. Pearl St. Spiceland, IN 47385
draperinc.com | 765.987.7999 | 800.238.7999

© 2022 All Rights Reserved | FORM: Exterior_FS_CL_Sub_22

PROJECT: _____

ARCHITECT: _____

CONTRACTOR: _____

SUPPLIER: _____

DATE: _____ REVISED: _____

Specifications

EXTERIOR CLUTCH-OPERATED SHADING SYSTEM: Clutch-operated, vertical roll-up, fabric shading system. Assembly includes clutch operator, mounting hardware, and other components necessary for complete installation. Exterior Clutch-Operated FlexShade® as manufactured by Draper®, Inc.

BEAD CHAIN CLUTCH OPERATOR: DuPont™ Zytel® nylon resin (*glass fiber reinforced*), black or white. 20 lb (9.1kg) standard. 24 lb (10.9kg) as necessary. Bi-directional for mounting at either end of roller. Control loop, of any length, is a plastic or stainless steel bead chain (*standard*). Plastic chain in ivory, grey, or black. Never needs adjusting. Patent pending.

ROLLER: Appropriately sized metal roller. Material and size at manufacturer's discretion; minimum 1½" (38mm) diameter.

ROLLER IDLER ASSEMBLY: Plastic idler end insert into roller will fit over steel pin and rotate on pin with use of sealed bearing. Steel pin connects to bearing mounted to bracket mounted inside the headbox. Systems not using sealed bearings are not acceptable.

FABRIC CONNECTION TO ROLLER TUBE: Fabric panel is attached with double-sided adhesive (*LSE*) to the roller tube at the top, and to the hem bar at the bottom.

HEM BAR: Weighted aluminum. Optional bottom liners.

FASCIA: "L" cover of extruded aluminum, .060 (1.5mm) wall. Fascia snaps onto endcaps without exposed fasteners. Silver, black, white, ivory, or bronze powder coat finish available. Custom powder coat colors available.

HEM BAR CONTAINMENT OPTIONS:

GUIDE CABLES: Deck Mount or Wall Mount

SIZE: 1½" x 1½" (41mm x 41mm)

FINISH: Silver, black, sand, white, ivory, or bronze powder coat.

PATENT INFORMATION:

<http://www.draperinc.com/legal/patents>

DOWNLOADABLE 3-PART SPECIFICATIONS:

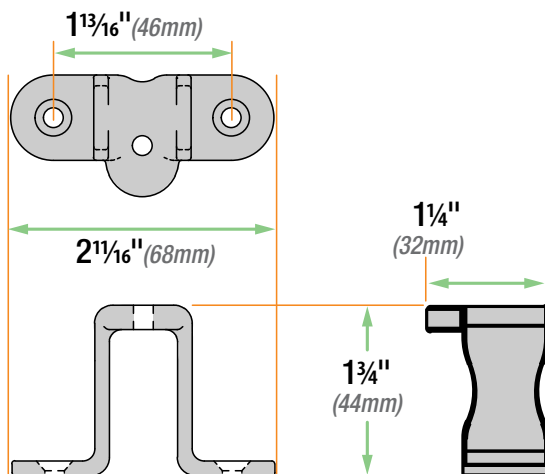
www.draperinc.com

Please note: Dimensions of rollers, operators, and hardware at manufacturer's discretion.

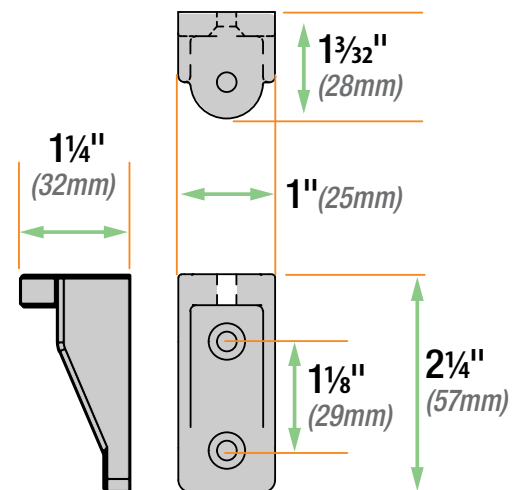
Sonessa® is a registered trademark of Somfy® Systems, Inc.

Component Dimensions

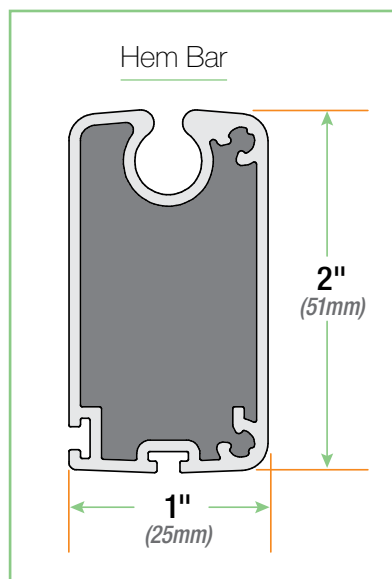
Cable Guide - Deck Mount



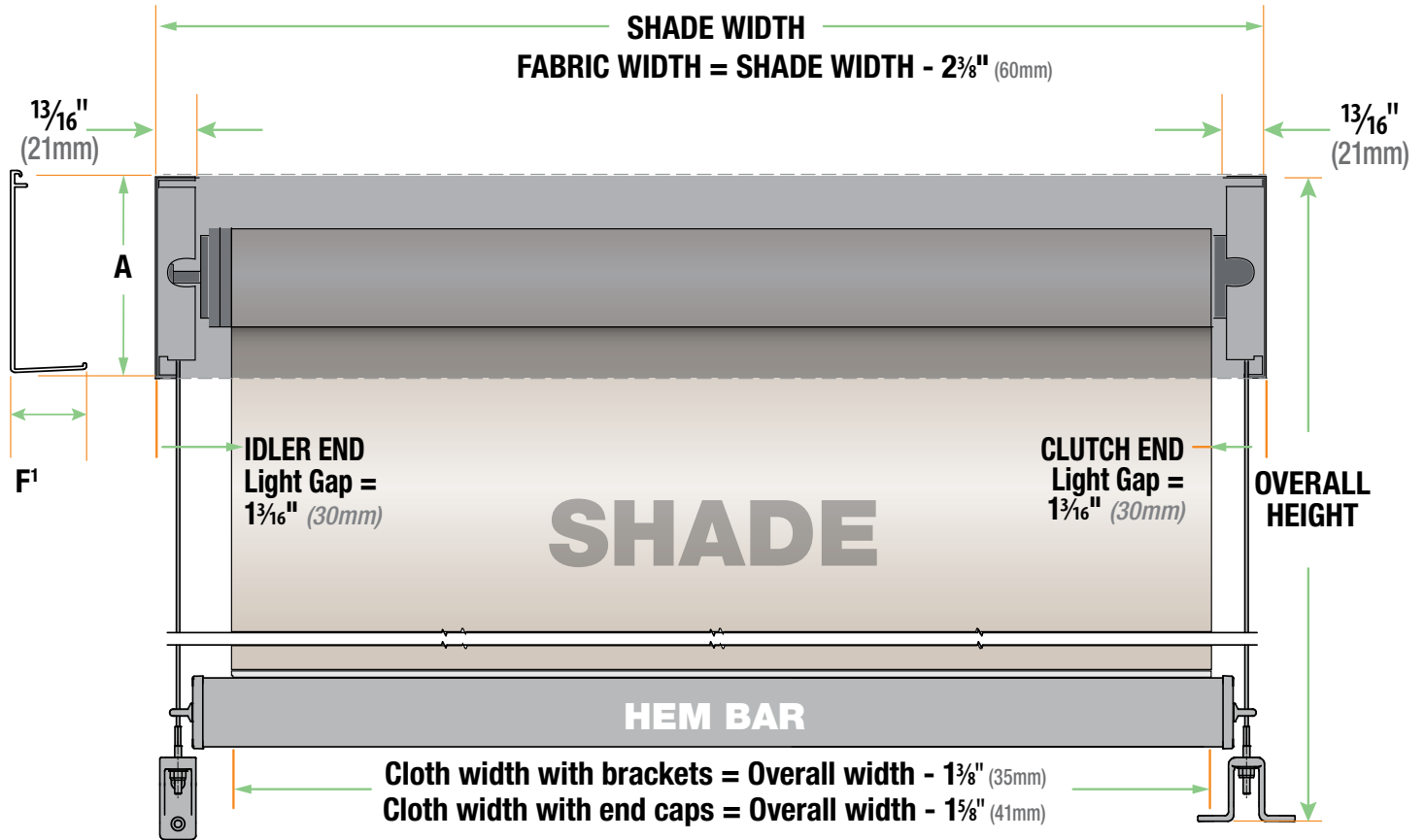
Cable Guide - Wall Mount



Hem Bar



Dimensions



Fascia with Endcaps		
	SMALL	LARGE
A'	3 7/8" (98mm)	4 5/8" (117mm)
B'	3 3/8" (86mm)	4 5/8" (117mm)
C'	1 3/16" (30mm)	1 9/16" (40mm)
D'	5/8" (16mm)	5/8" (16mm)
E'	1/16" (1.6mm)	3/32" (2.4mm)
F'	3" (76mm)	3 1/4" (83mm)

Brackets*		
	SMALL	LARGE
A²	2 3/16" (56mm)	2 3/16" (56mm)
B²	2 3/8" (60mm)	3" (76mm)
C²	1 1/16" (17mm)	1 1/16" (17mm)
D²	1 5/8" (41mm)	2 1/4" (57mm)
E²	1 3/4" (44mm)	1 3/4" (44mm)
F²	N/A	N/A

