

Exterior Motorized FlexShade® XL

Exterior shading system with smooth, quiet operation and independent control

SUBMITTAL TECHNICAL INFO

Please check all appropriate selections and attach room schedule with verified dimensions.

Fabric Series: _____

Color Name / Number: _____

Openness Factor: _____

Please see [Draper® Fabric Options](#) for fabric colors and specifications.

Select Hardware

Select Headbox Style

- Curved
- Angled

Select Headbox Bracket Type

- Wall
- Ceiling

Select Hardware Finish

- Black
- Bronze
- Ivory
- White
- Sand
- Silver

Select Cable Exit Location

Please Note: For cable exit information, see installation instructions.

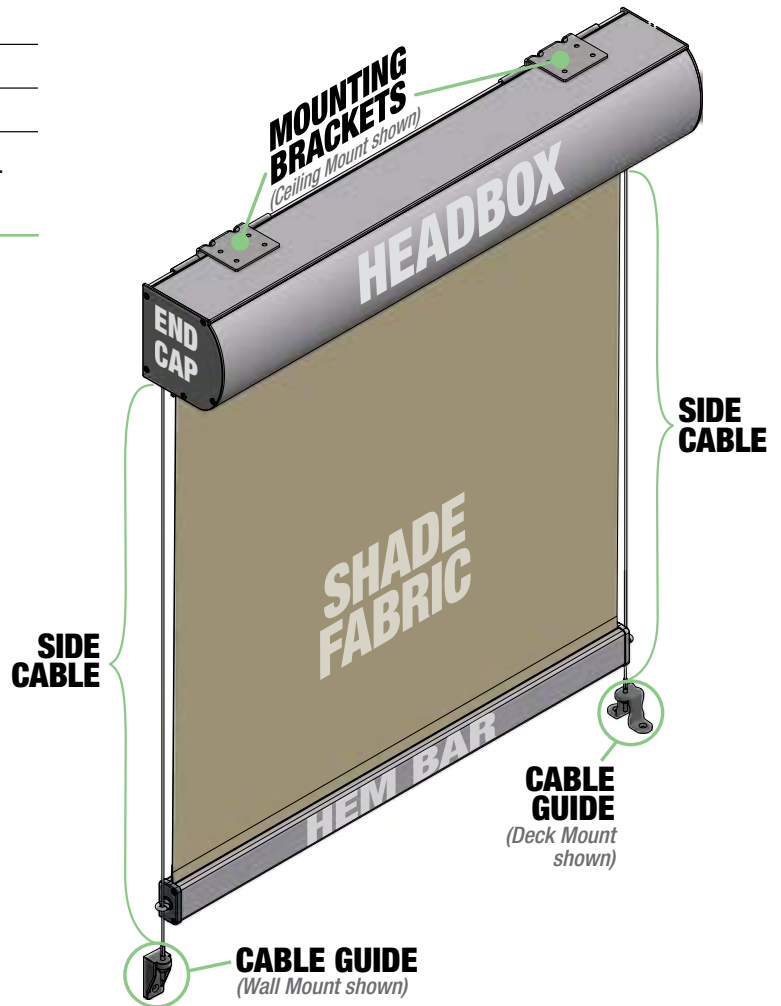
- None (standard)
- Top
- Side
- Back

Select Headbox Liner Options

- Yes
- No

Select Cable Guide Type

- Wall Mount
- Deck Mount



Select Operator and Controls

Select Motor Location (front view)

- Right (standard)
- Left

Select 120V AC Operator

- Sonesse® RTS (standard)
- Sonesse® 120V Motor

Select Interior Control Options

- RTS
- Wireless Wall Switch
 - Decora RTS 1-Channel
 - White (standard)
 - Ivory
 - Decora RTS 5 Channel
 - White (standard)
 - Ivory

Select Exterior Control Options

- Telis 1 Patio Exterior Remote
- Telis 4 Patio Exterior Remote
- 1 Channel Soliris Patio Remote
- 4 Channel Soliris Patio Remote

Select Exterior Sensors

- Ondeis WireFree Rain/Sun Sensor
- Sunis Outdoor WireFree Sun Sensor
- Eolis-RTS Wind Sensor
- Soliris-RTS Wind/Sun Sensor

Available Sizes:

	WIDTH						
	4' (122cm)	6' (183cm)	8' (244cm)	10' (305cm)	12' (366cm)	14' (427cm)	16' (488cm)
HEIGHT							
2' (61cm)							
4' (122cm)							
6' (183cm)							
8' (244cm)							
10' (305cm)							
12' (366cm)							

* Maximum size will vary according to fabric selection.



Draper, Inc. | 411 S. Pearl St. Spiceland, IN 47385
draperinc.com | 765.987.7999 | 800.238.7999

© 2020 All Rights Reserved | FORM: Ext_FSMO_XL_Sub20

PROJECT: _____

ARCHITECT: _____

CONTRACTOR: _____

SUPPLIER: _____

DATE: _____ REVISED: _____

Specifications

EXTERIOR MOTORIZED SHADING

SYSTEM: Electrically operated, motorized, vertical roll-up, fabric shading system. Assembly includes motor operator, controls, mounting hardware and other components necessary for complete installation. Exterior Motorized FlexShade® XL as manufactured by Draper, Inc.

ELECTRIC OPERATOR: Tubular motor concealed inside shade roller tube. **LOCATION:** Right hand: standard; Left hand: As scheduled.

STANDARD MOTOR: Sonesse® Radio Technology Motor: 110-120V AC, single-phase, 60 HZ, instantly reversible, lifetime lubricated motor with built-in radio receiver, equipped with internal thermal overload protector, electric brake, and pre-set accessible limit switches. (Compatible with Wireless Radio Technology Controls.)

OPTIONAL WIRED MOTOR: Sonesse® 110-120V AC, single-phase, 60 HZ, instantly reversible, lifetime lubricated, and equipped with internal thermal overload protector, electric brake, and pre-set accessible limit switches.

ROLLER: 2.364 inch (60 mm) outside diameter (at manufacturer's discretion); aluminum. Roller assembly is integrated with floating bracketry.

ROLLER IDLER ASSEMBLY: Plastic idle end insert into roller will fit over steel pin and rotate on pin with use of sealed bearing. Steel pin connects to bearing mounted to bracket mounted inside the headbox. Systems not using sealed bearings are not acceptable.

FABRIC CONNECTION TO ROLLER TUBE: Fabric panel to incorporate spline attachment at the top and hem pocket at the bottom to allow connection to the hem bar.

HEM BAR: Weighted aluminum. Optional bottom liners.

HEADBOX: Cassette-style extruded aluminum sections. 5" x 5" (127 mm x 127 mm) by length required for shade being provided.

CRADLE SYSTEM: Extrusion supports entire roller using cradle system to reduce roller deflection.

SHAPE: Angled, Curved.

FINISH: Silver, black, sand, white, ivory, or bronze powder coat.

HEM BAR CONTAINMENT:

GUIDE CABLES: Deck Mount or Wall Mount

SIZE: 1 3/8" x 1 3/8" (41 mm x 41 mm)

FINISH: Silver, black, sand, white, ivory, or bronze powder coat.

PATENT INFORMATION:

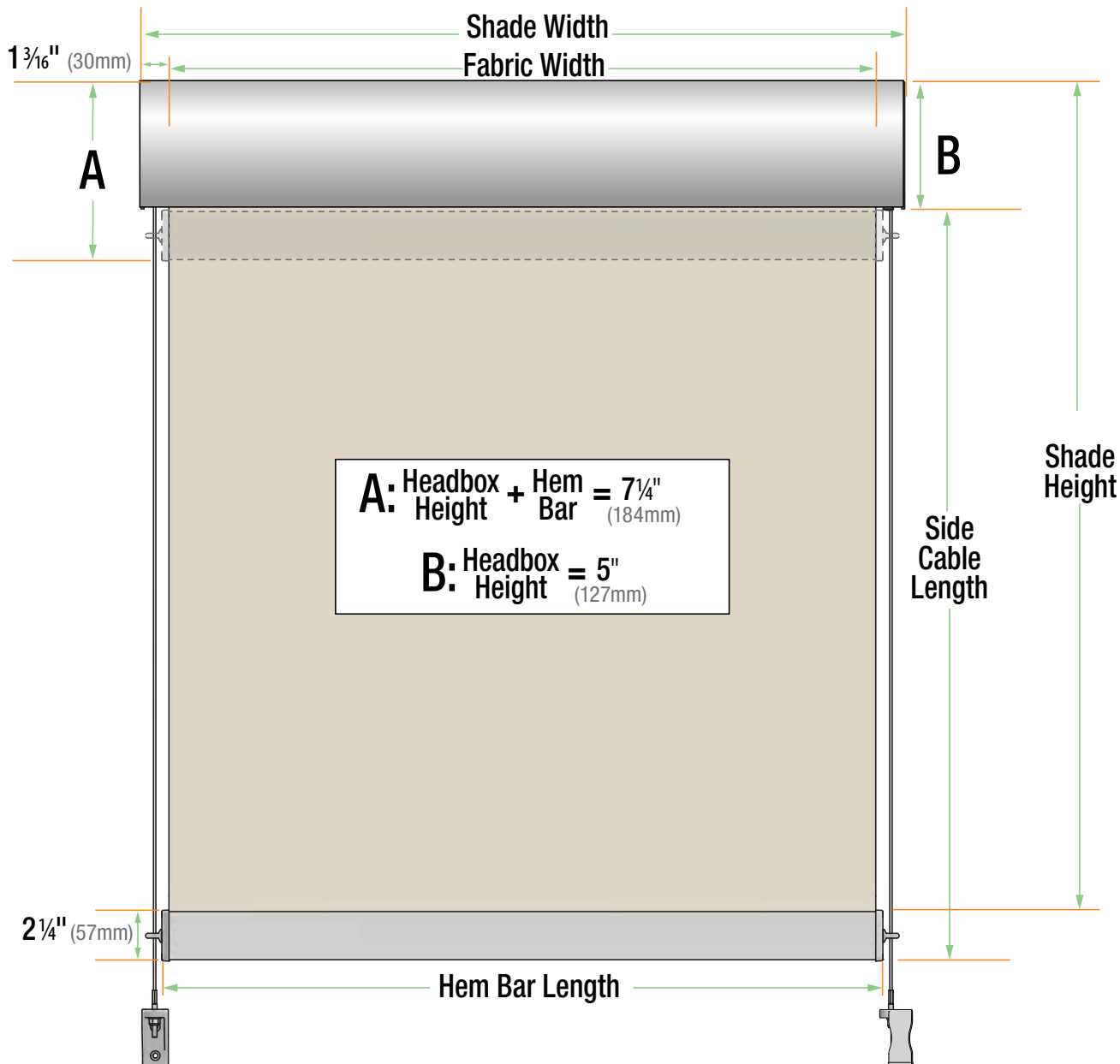
<http://www.draperinc.com/legal/patents>

DOWNLOADABLE 3-PART SPECIFICATIONS:

www.draperinc.com

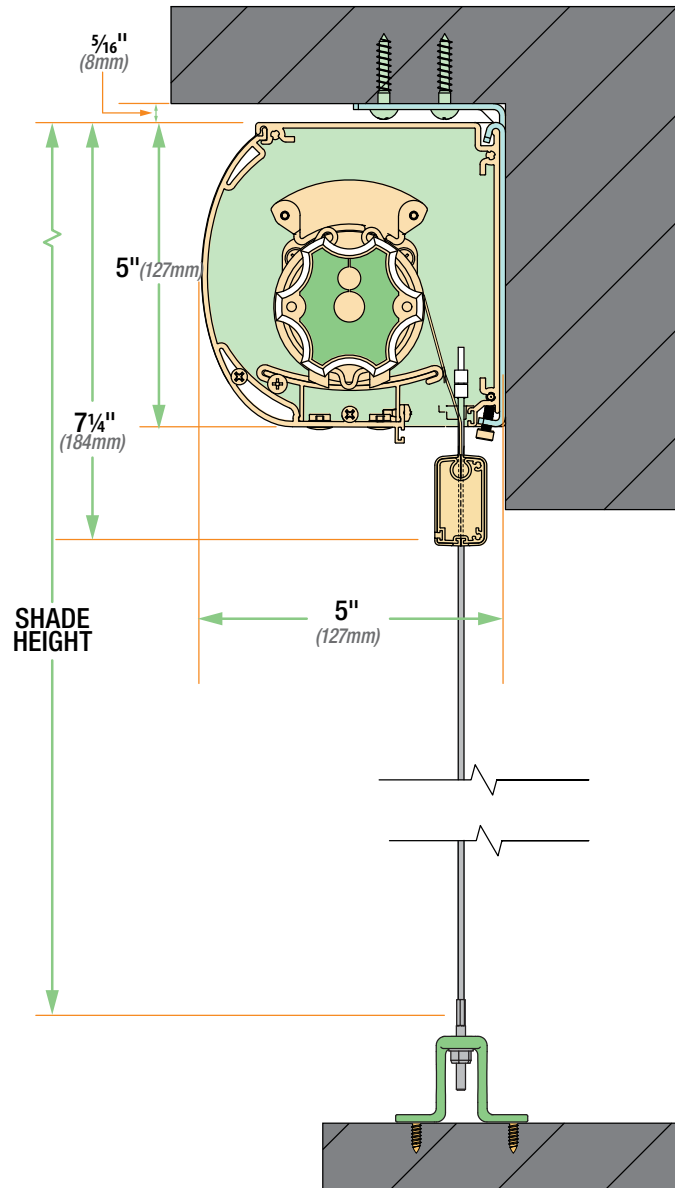
Please note: Dimensions of rollers, operators, and hardware at manufacturer's discretion.

Dimensions

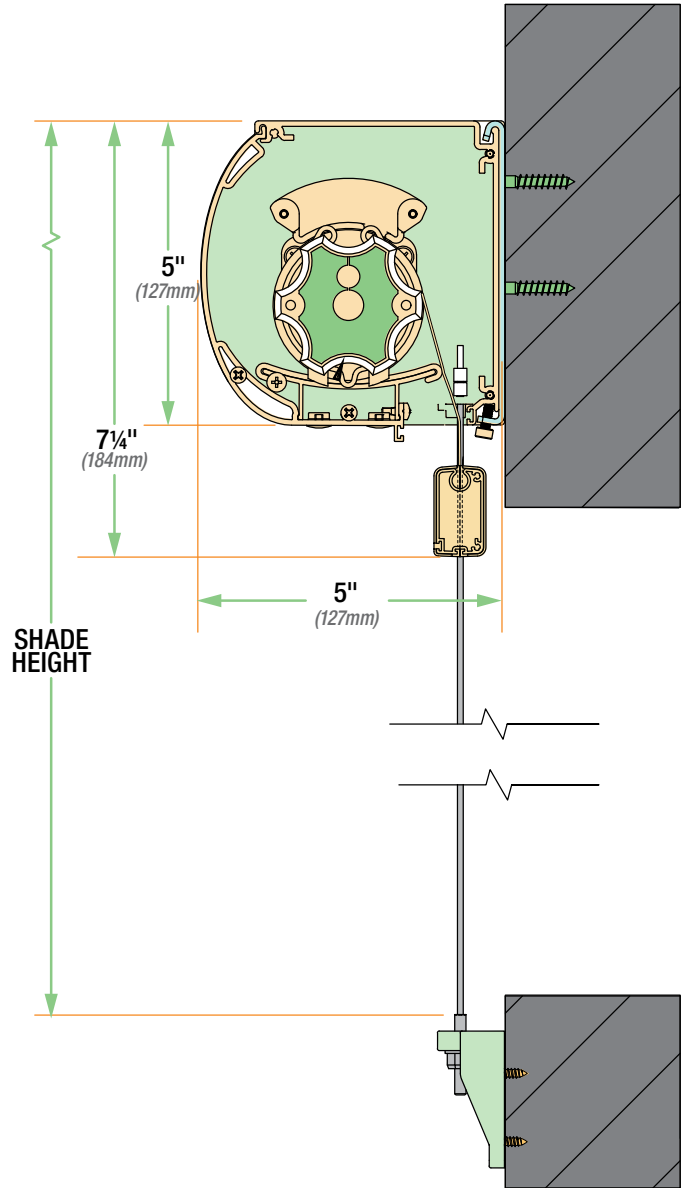


Assembled Dimensions: Side View

Ceiling Mount Bracket and Deck Mount Cable Guide shown

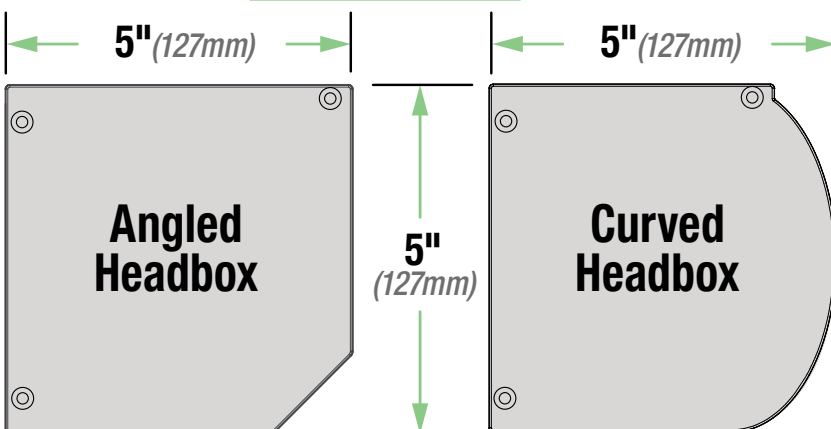


Wall Mount Bracket and Wall Mount Cable Guide shown

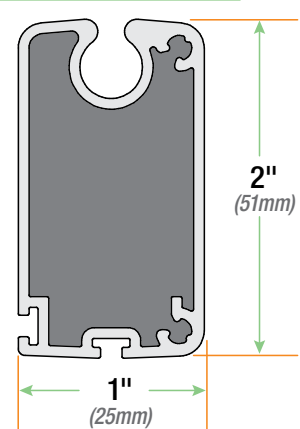


Component Dimensions

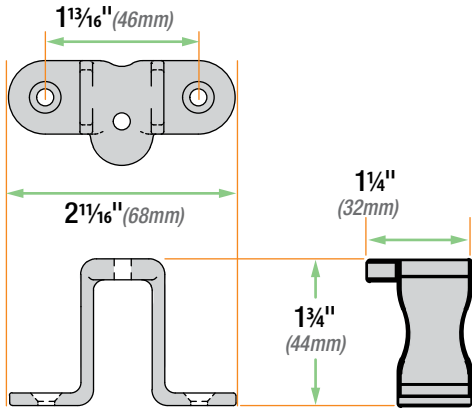
Headbox Dimensions



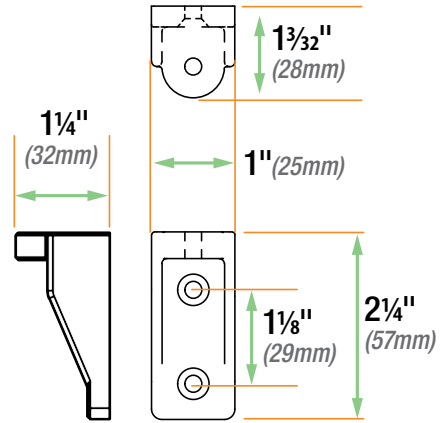
Hem Bar Dimensions



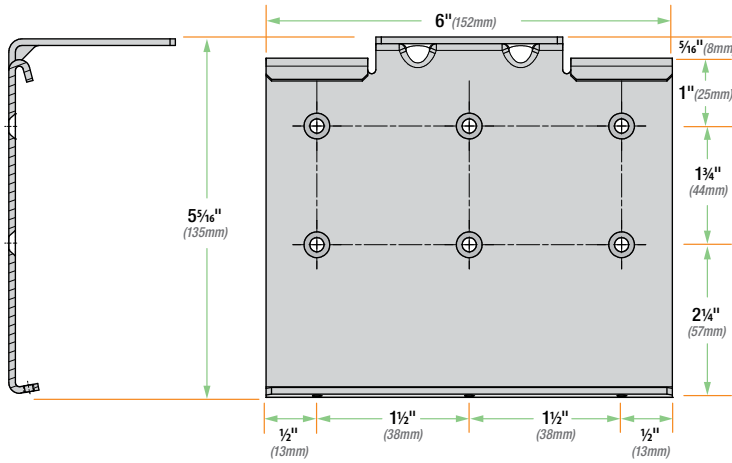
Cable Guide - Deck Mount



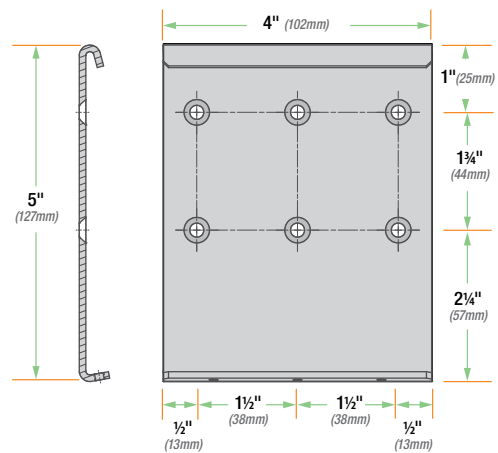
Cable Guide - Wall Mount



Ceiling Mounting Bracket



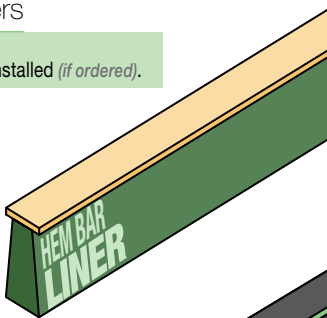
Wall Mounting Bracket



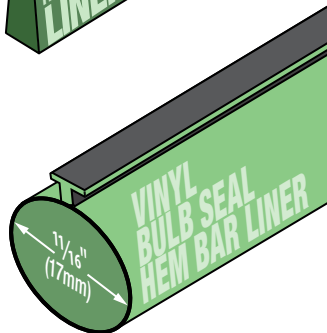
Hem Bar Liners

Please Note:
Liner is factory installed (if ordered).

- C037.002:**
.140" (3.6mm)
height liner
- C037.003:**
.310" (7.9mm)
height liner
- C037.004:**
.450" (11.4mm)
height liner
- C037.015:**
1" (25mm)
height liner

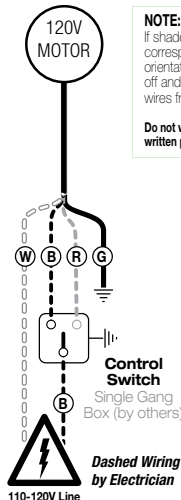


- C086.011:**
Vinyl bulb seal



Wiring Diagrams

Controls & System Overview Sonesse® 120VAC Motors



NOTE: Test shade operation
If shade direction does not correspond with the switch orientation, turn power back off and switch the red and black wires from the motor to the switch.

Do not wire motors in parallel without written permission from Draper.

Please Note:
Quick disconnect and NEMA 3 prong plugs provided by others.

Sonesse® is a registered trademark of Somfy® Systems, Inc.

Controls & System Overview Sonesse® RTS 120VAC Motors

