

Clutch-Operated FlexShade®

Manual, clutch-operated window shade with smooth, quiet operation, and independent control

SUBMITTAL TECHNICAL INFO

Please check all appropriate selections and attach room schedule with verified dimensions.

FLEXSHADE CLN

Fabric Series: _____

Color Name / Number: _____

Openness Factor: _____

Please see [Fabric Options](#) on the [Draper® website](#) for fabric colors and specifications.

Select Clutch Location

As seen from INSIDE the room facing the window. Also indicate on room schedule.

- Right (standard) Left (available)

Select Clutch Color

- White (standard) Black (optional)

Optional Spring Assist

- Spring Assist per manufacturer's standards (as required based on fabric weight)
 Spring Assist on all units (minimum shade width 48" [122cm])
 Spring Assist as indicated on room schedule

Select Bead Chain Type:

- Steel Chain
 Stainless Steel (standard) Black Steel
 White Steel
 Polyester Chain
 Black Bronze White
 Ivory Grey

Select Cord Tension Device:

- 'P'-Clip Cord Tension Device (standard)
 Spring-Loaded Cord Tension Device (optional, but required for ANSI/WCMA A100.1 Compliance)

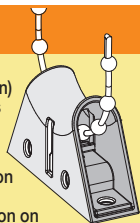
Select Fabric Orientation:

- Regular Roll (from BACK of roller - standard) Reverse Roll (from FRONT of roller)

Child Safety Information

ANSI/WCMA A100.1-2018 standard (developed by the Window Coverings Manufacturer's Association and the Consumer Product Safety Commission) was established on December 15, 2018, to eliminate strangulation hazards for small children from hanging cords and chain loops.

When dealers specify that custom shades comply with ANSI/WCMA A100.1-2018, Draper® provides a pre-installed Spring-Loaded Chain Tension Device (shown at right) for clutch-operated units. When properly installed, tension device prevents creation of a hazardous loop by maintaining tension on bead chain. If not installed properly, shade is partially inoperable.



For more information, please see ANSI/WCMA A100.1-2018 compliance page: www.draperinc.com/windowshades/wcma-compliance.aspx

Select Hem Bar Style

- Closed Pocket - 1" (25mm) Elliptical Slat (standard)
 Open Pocket Elliptical Slat Large Flat Exposed Hem Bar
 Small Flat Exposed Hem Bar 1 3/16" (21mm) Tube
 Round Exposed Hem Bar Interior Cable Guide Hem Bar
 5/8" (16mm) Tube None

Select Hardware

- Universal Brackets
 Endcaps Only: Standard Leveling Bracket
 Endcaps with Fascia: Standard Leveling Bracket
 Headbox
 Ceiling / Wall (Surface Headbox) Pocket Style
 Type "D" Pocket with Tile Lip (white only; not compatible with 3" [76mm] roller)
 Custom Headbox (contact Draper)
 Wall Clip
 With Ceiling Tile Lip Without Ceiling Tile Lip
 Closure Panel for Type "D" Pocket or Wall Clip
 1 1/2" (38mm) (recommended) 3" (76mm) 5" (127mm)

Select Optional Side Channels for Light Gap Reduction:

(May not be compatible with all types of installations)

- Aluminum "L" Angle Vinyl "L" Angle
 Aluminum "U" Channel Channel Liners
 Aluminum "H" Channel

Select Hardware Finish (Does not apply to Type "D" Headbox)

- Clear Anodized (standard) Ivory Black
 Bronze White Custom (contact Draper)

Available Sizes:

WIDTH:	2'	3'	4'	5'	6'	7'	8'	9'	10'	11'	12'	13'	14'
HEIGHT													
2'													
3'													
4'													
5'													
6'													
7'													
8'													
9'													
10'													
11'													
12'													
13'													
14'													

* Sizes requiring large endcaps/brackets will vary according to fabric.

- Small endcaps/brackets
 Large endcaps/brackets may be required.



Draper, Inc. | 411 S. Pearl St. Spiceland, IN 47385
 draperinc.com | 765.987.7999 | 800.238.7999

© 2021 All Rights Reserved | FORM: Clutch-Operated_FlexShade_Sub21

PROJECT: _____

ARCHITECT: _____

CONTRACTOR: _____

SUPPLIER: _____

DATE: _____ REVISED: _____

Specifications

EQUIPMENT

BEAD CHAIN CLUTCH OPERATOR: DuPont™ Zytel® nylon resin (glass fiber reinforced), black or white. 20 lb (9.1kg) standard. 24 lb (10.9kg) as necessary. Bi-directional for mounting at either end of roller. Control loop, of any length, is a plastic or stainless steel bead chain (standard). Plastic chain in ivory, grey, or black. Never needs adjusting. Patent pending.

OPERATOR LOCATION: Right hand standard, left hand available.

OPTIONAL SPRING-ASSIST BEAD CHAIN CLUTCH: Adjustment-free system includes spring-assist components to reduce lifting forces required to raise the shade. Manufacturer shall provide estimated torque for shade unit. Spring-assist is recommended on estimated non-spring-assist torque above 6 lb-in; required on shades with an estimated torque higher than 15 lb-in.

COMPONENTS

ROLLERS: Sizes 1 1/2" (38mm) dia. with .065 wall, 2" (51mm) dia. with .080 wall, up to 3.12" (79.23mm) dia. with .095 wall, in steel or extruded aluminum. Roller assembly easily removable without removal of mounting hardware.

UNIVERSAL MOUNTING BRACKETS: 1018 plated steel stamping. Sizes 1 3/8" (41mm) and 2 1/4" (57mm). Mount to face, ceiling, or jamb. Brackets do not require additional adapters. Powder coated white or black to match selected clutch color.

ROLLER IDLER ASSEMBLY: Fiberglass reinforced polyester thermopolymer (PBT), with spring-loaded pin to interlock with mounting bracket.

FABRIC ATTACHMENT: Fabric connected to the roller tube with LSE (low surface energy) double sided adhesive specifically developed to attach coated textiles to metal.

HEM BAR: Closed Pocket Elliptical Slat: 1" (25mm) aluminum elliptical slat inside of a 1 3/8" (30mm) heat sealed pocket. Open Pocket Elliptical Slat: 1" (25mm) aluminum elliptical slat with plastic ends inside of a 1 3/8" (30mm) heat sealed pocket. Flat Exposed Hem Bar: Small: 3/8" x 3/8" (22x8mm) Large: 1 1/2" x 3/8" (38x8mm) aluminum rectangular with plastic end caps. Round Exposed Hem Bar: Small: 3/8" (16mm) Large: 1 3/8" (30mm) aluminum with plastic end caps. Exposed hem bars powder coated in black, bronze, ivory, white, or clear anodized.

ENDCAPS: 1018 steel stamping. 2 sizes: 3 1/2" x 3 3/4" (89x95mm) and 4 1/2" x 4 1/2" (114x114mm). Complete with adapter roller bracket. Installs to face, ceiling, or jamb. Accepts box covers and fabric guide.

ENDCAP COVERS: Plastic covers snap onto endcaps. Available in silver, ivory, bronze, black, or white to match fascia.

FASCIA: "L" cover of extruded aluminum, .060 (1.5mm) wall. Fascia snaps onto endcaps without exposed fasteners. Clear Anodized (standard), black, white, ivory, or bronze powder coat finish available. Custom powder coat colors available. Continuous fascia available with side-by-side units.

SURFACE HEADBOX: Consists of fascia, "L" shaped back/top cover of extruded aluminum. Endcaps slide into extrusion without exposed fasteners.

POCKET HEADBOX: For pocket installation, includes a "U" shaped extruded aluminum back/top/front cover with removable bottom closure panel.

SMALL HEADBOX SIZE: 3 7/16" x 3 15/16" (87x100mm).

LARGE HEADBOX SIZE: 4 11/16" x 4 11/16" (119x119mm). Some exposed fasteners required.

TYPE "D" POCKET: Type "D" Shade Pocket, extruded aluminum, for perimeter installation. Accepts FlexShades installed with ceiling brackets. Finished in white paint. 5" x 5 3/8" x .125" (127x136x3mm) with 3/8" (22mm) tile support lip & removable bottom closure.

LIGHT GAP REDUCTION HARDWARE: Extruded aluminum. Accepts edges of fabric, prevents light gaps. Interior of channel provides for use of flat head screws. Available with or without lining.

"L" ANGLE: 3/4" x 1" x 12'3" (1.9x2.5x373cm); 1" x 2 3/4" x 16' (2.5x7x488cm) or cut to length.

"U" CHANNEL: 1" x 2 1/2" x 16' (2.5x6.4x488cm) or cut to length.

"H" CHANNEL: 1" x 5" x 16' (2.5x12.7x488cm) or cut to length.

VINYL "L" ANGLE: 1 1/2" x 3/4" x 8' (3.81x1.9x243.84cm) stock length only. Installed using adhesive.

INTERIOR CABLE GUIDE KIT: Includes slat, slat weight, slat endcaps, and cable guide. Slat/hem bar is a 3/8" (16mm) round bar for use in a 1-3/8" (41mm) open-ended hem pocket.

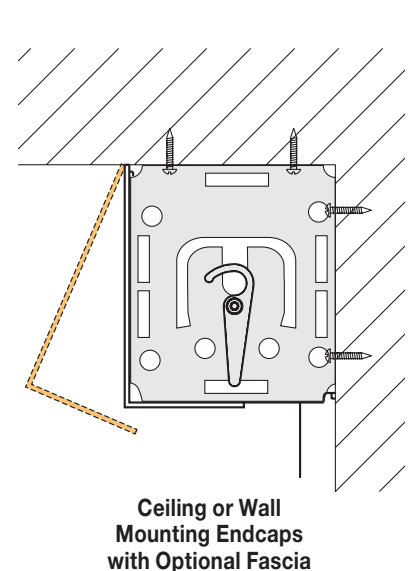
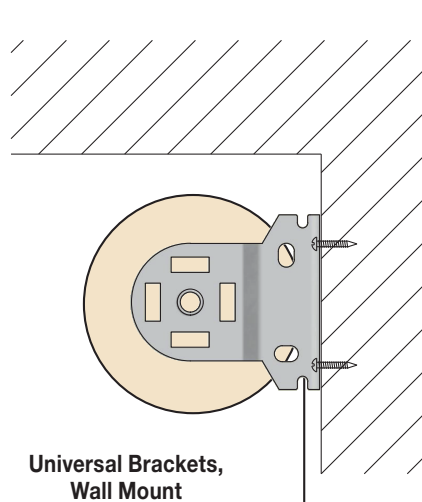
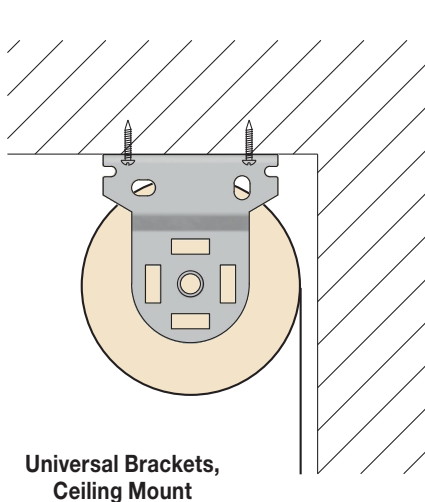
Zytel® is a registered trademark of E. I. du Pont de Nemours & Company. DuPont™ is a trademark of E. I. du Pont de Nemours & Company.

DOWNLOADABLE 3-PART SPECIFICATIONS: available at www.draperinc.com.

Please note: Dimensions of rollers, operators and hardware at manufacturer's discretion.

Mounting Hardware Selections

Please Note: Endcaps have the only attachment points for mounting a manual FlexShade. Optional fascia and headbox have a thickness of 1/16" (1.6mm).

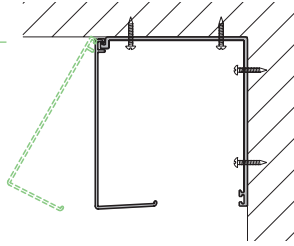


Headbox Installation Options

Surface Headbox

Consists of:

- Fascia
- Back/Top Cover
- Ceiling/Wall Endcaps



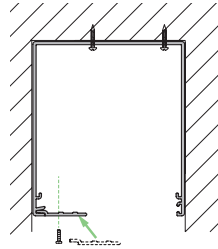
Pocket Style Headbox

Consists of:

- Extruded Pocket
- Bottom Closure Panel
- Ceiling/Wall Endcaps

SMALL SIZE: 3 7/16" x 3 15/16"
(87mm x 100mm)

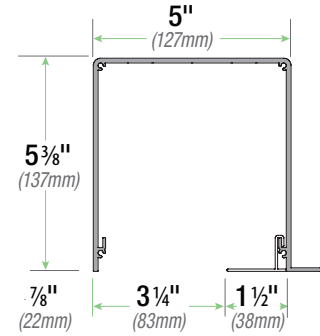
LARGE SIZE: 4 1/16" x 4 1/16"
(119mm x 119mm)



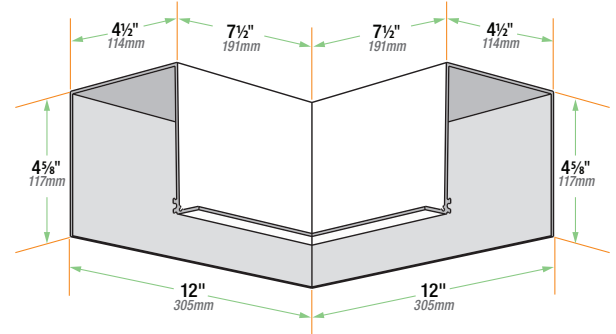
Type D Pocket

Consists of:

- Extruded aluminum pocket
- A lip supports lay-in ceiling
- Pre-welded corners and ends available
- Ends with or without tile support lip

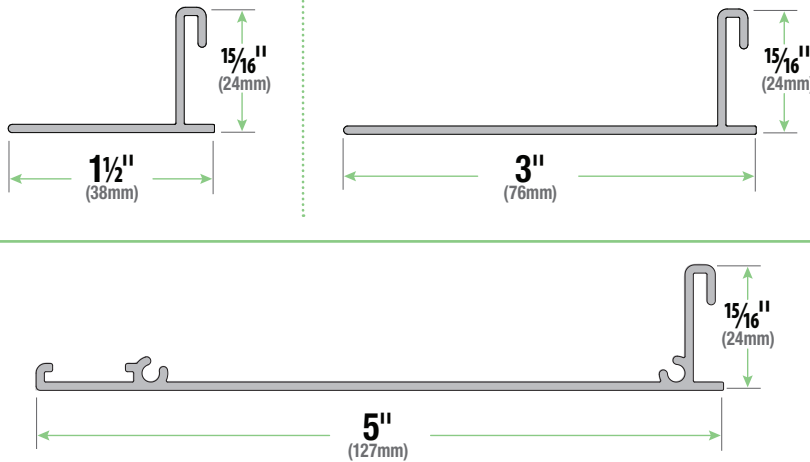


Typical pre-welded corner section
(not to scale)

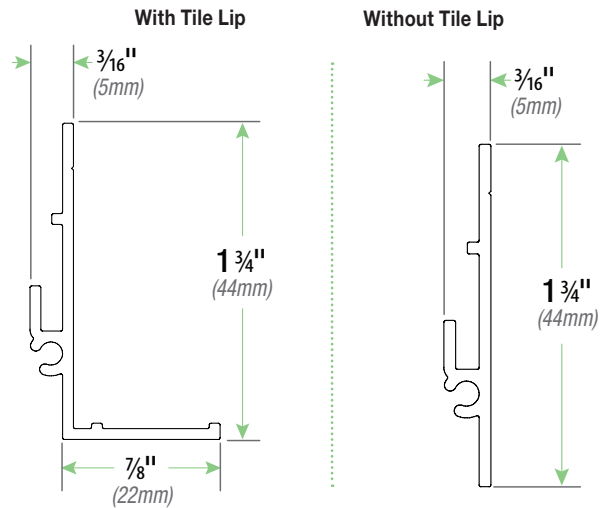


Wall Clip and Closure Options

Closure Options

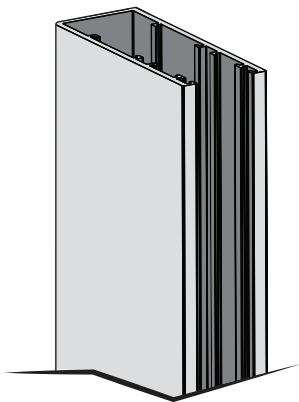


Wall Clip Options

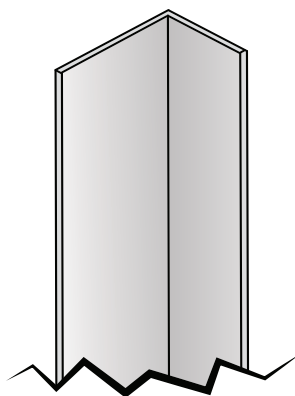


Light Gap Reduction Hardware

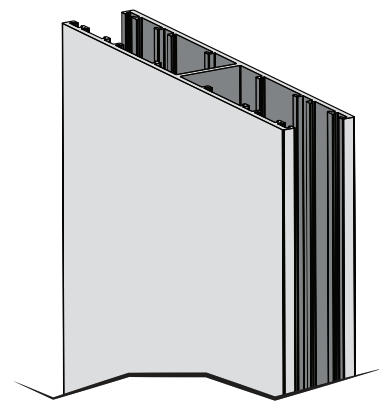
"U" Channel



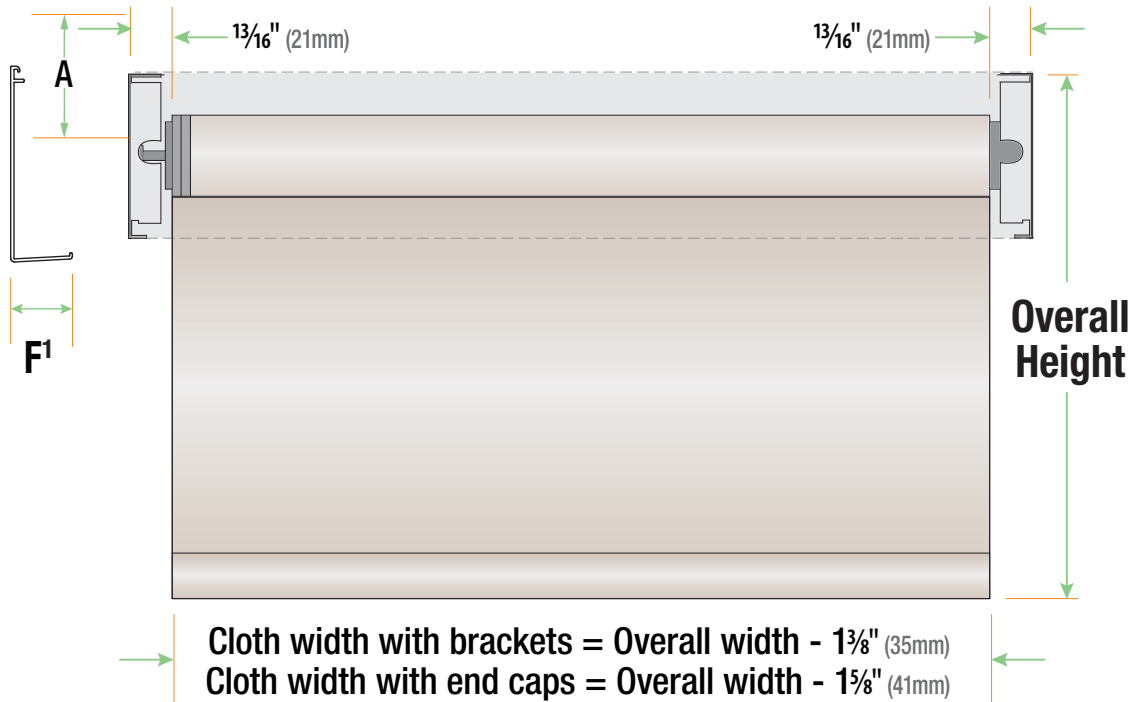
"L" Angle



"H" Channel



Dimensions



Please Note:

- Shade Overall Width includes plastic endcap covers.
- Pair of small endcap covers adds $\frac{1}{8}" (3.2\text{mm})$ to Overall Width.
- Pair of large endcap covers adds $\frac{3}{16}" (4.8\text{mm})$ to Overall Width.



HEADBOX WITH ENDCAPS				
	SMALL		LARGE	
A ¹	3 ¹⁵ / ₁₆ "	100mm	4 ¹¹ / ₁₆ "	119mm
B ¹	3 ⁷ / ₁₆ "	87mm	4 ¹¹ / ₁₆ "	119mm
C ¹	⁵ / ₈ "	16mm	⁵ / ₈ "	16mm
D ¹	2"	51mm	3 ¹ / ₄ "	83mm
E ¹	¹ / ₁₆ "	1.6mm	³ / ₃₂ "	2.4mm
F ¹	1 ³ / ₁₆ "	30mm	1 ⁹ / ₁₆ "	40mm

ENDCAPS WITH FASCIA				
	SMALL		LARGE	
A ¹	3 ⁷ / ₈ "	98mm	4 ⁵ / ₈ "	117mm
B ¹	3 ³ / ₈ "	86mm	4 ⁵ / ₈ "	117mm
C ¹	⁵ / ₈ "	16mm	⁵ / ₈ "	16mm
D ¹	2"	51mm	3 ¹ / ₄ "	83mm
E ¹	¹ / ₁₆ "	1.6mm	³ / ₃₂ "	2.4mm
F ¹	1 ³ / ₁₆ "	30mm	1 ⁹ / ₁₆ "	40mm

BRACKETS				
	SMALL		LARGE	
A ²	2 ³ / ₁₆ "	56mm	2 ³ / ₁₆ "	56mm
B ²	2 ³ / ₈ "	60mm	3"	76mm
C ²	1 ¹ / ₁₆ "	27mm	1 ¹ / ₁₆ "	27mm
D ²	1 ⁵ / ₈ "	41mm	2 ¹ / ₄ "	57mm
E ²	1 ¹ / ₄ "	32mm	1 ³ / ₄ "	44mm
F ²	NA	NA	NA	NA

Shade Overall Width includes plastic endcap covers.
Pair of small endcap covers adds $\frac{1}{8}" (3.2\text{mm})$ to Overall Width.
Pair of large endcap covers adds $\frac{3}{16}" (4.8\text{mm})$ to Overall Width.

Above dimensions based upon 20 lb clutch and $1\frac{1}{2}" (38\text{mm})$ diameter roller.

Small brackets are supplied with 20 lb clutch. Large bracket optionally available at Draper's discretion. For 24 lb clutch, contact Draper® for dimensions.