

# Installation Instructions

## FlexShade Panels by Draper

### Caution

- ① Read entire procedure before installing FlexShade Panels; keep instructions for future reference.
- ② It is the responsibility of the installer to select and use an appropriate fastener for installation conditions.
- ③ Tools Needed for Installation: screwdriver,  $\frac{3}{32}$ " drill bit and drill, & tape measure. Mounting Hardware Packet Contains eight wing clips per screen.

Please follow installation guidelines carefully. Failure to do so invalidates warranty.

### Installation of Wing Clips

- ① Install two (2) wing clips evenly spaced on each side of the unit with the screw holes drilled  $\frac{1}{4}$ " from the outside edge of the FlexShade Panel frame.
  - A. Pre-drill the mounting holes using a  $\frac{3}{32}$ " drill bit.
  - B. Insert a screw into the wing clip and install into the predrilled mounting holes.

The wing clip should be able to slide on the screw easily at this point. Do not run the screw all the way down to the base of the wing clip. The screw tightness will be adjusted after the FlexShade Panel is installed.
- ② Repeat above step for all the wing clips.

### Installation of FlexShade Panel

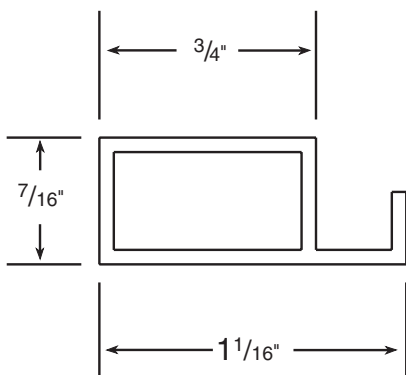
#### For Interior Installation—

- ① Upon installing all of the wing clips, place FlexShade Panel over or inside the window opening. The spline side of the frame should be placed against the window opening.
- ② Rotate the wing clip over the frame to secure the panel in place. The clip should be able to rotate over the frame by hand and fit firmly against the frame. If the wing clip is loose against the frame, use a screwdriver to tighten the screw until a firm fit is achieved. If the wing clip is too tight, use a screwdriver to adjust the screw until a good fit is achieved.

Please Note: Overtightening the screw and wing clip can cause frame damage.

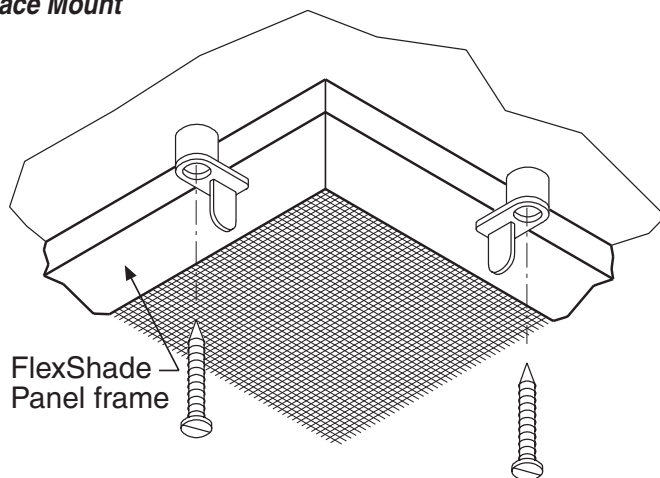
#### For Exterior Installation—

- ① Drill holes for side mounting keeper tracks. Attach keeper track (the lower one) using appropriate fasteners for materials.
- ② Slide fixed panel into place.
- ③ Attach the last keeper track.

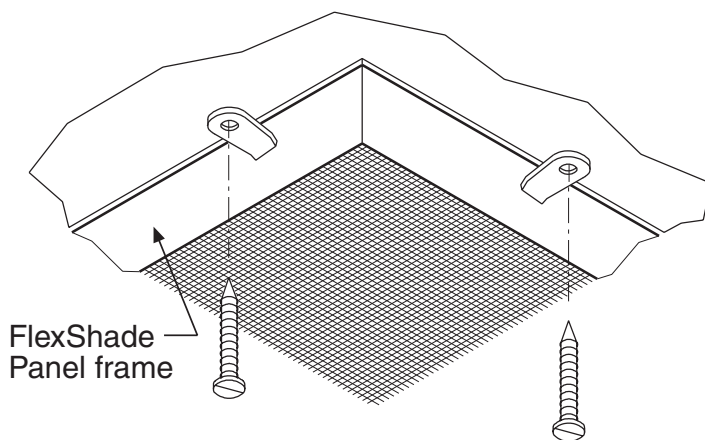


### Interior Installation

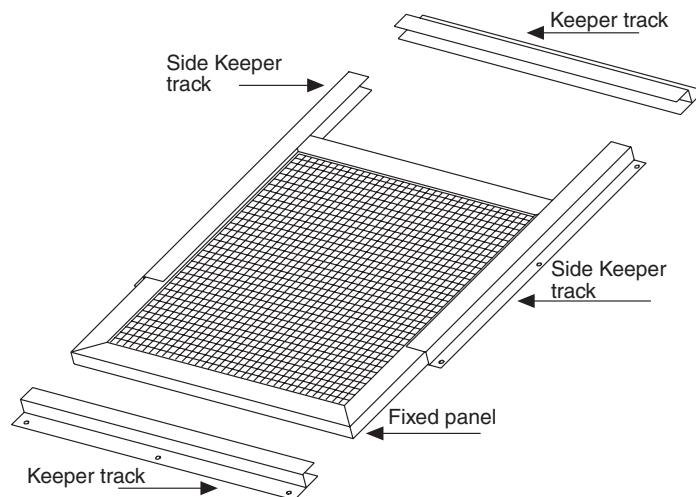
#### Face Mount



#### Inside Mount



### Exterior Installation



# DRAPER

411 S. Pearl St., Spiceland, IN 47385 USA ■ 765-987-7999 ■ fax 765-987-7142

e-mail draper@draperinc.com ■ www.draperinc.com

Copyright © 2016 Draper Inc. Form FlexShadePanels\_Inst16 Printed in U.S.A.

