

Installation Instructions FlexShade Accessories by Draper

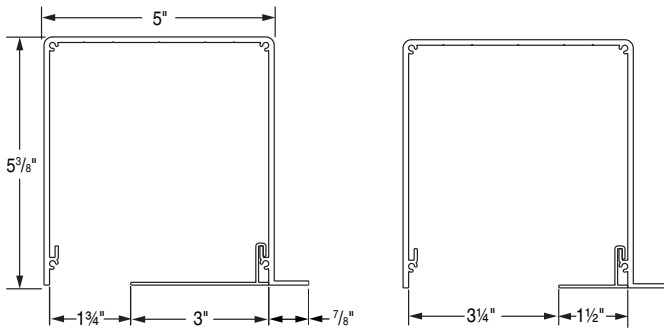
⚠ Caution

- ① Inspect all boxes to make sure you have received the proper parts.
- ② Open cartons lengthwise. Reseal after inspection if not installing immediately.
- ③ Beware of sharp edges and corners, especially on closure panels cut at an angle for use with Type "D" Headbox Pocket Corners.
- ④ All brackets, fascia, Type "D" headboxes, wall clips, and other accessories must be installed level.
- ⑤ **Please read the following installation guidelines thoroughly and follow them carefully. Failure to do so may cause product to fall or otherwise fail, and invalidates warranty.**

Type "D" Pockets

- ① Type "D" pockets come in 12' sections. Measure and cut the extrusions to the appropriate length. Don't forget to account for Corners and Endcaps in your measurements (see Fig. 1).

Type "D" Headbox Dimensions



Type "D" Corner Dimensions

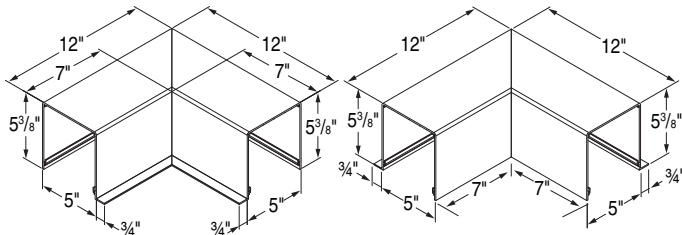


Figure 1

- ② Drill holes through pocket for wall or ceiling mount (see Fig. 2).

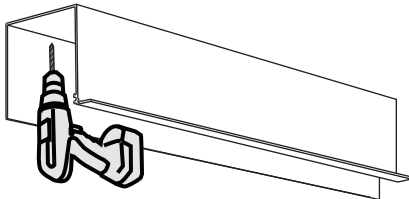


Figure 2

- ③ If you are using endcaps, attach endcaps to pocket using screws (provided) (see Fig. 3).
- ④ Mount pocket using hardware appropriate to mounting surface and conditions. If you are using Alignment Pins to connect pocket pieces, it may be easier to assemble the pocket pieces before mounting. If not using Alignment Pins, butt the edges up against one another. They do not overlap.

Please Note: It is the responsibility of the installer to provide hardware appropriate for mounting surface and site conditions.

- ⑤ If installing motorized shades into the Type "D" Pocket, drill hole for cable exit.

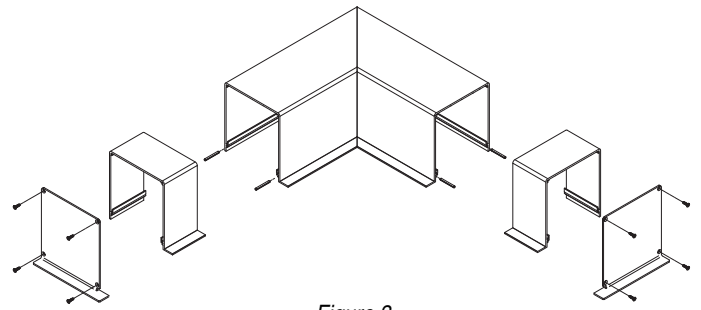


Figure 3

- ⑥ If installing bead chain clutch shades into the Type "D" Pocket, trim closure to allow for bead chain clearance.
- ⑦ Install roller assembly (see instructions provided with the shade roller/fabric/operator assembly).

Please Note: If installing a single XD Clutch make sure it is centered in the Type "D" Pocket. If installing dual XD Clutches, a deeper pocket is available (see Fig. 4).

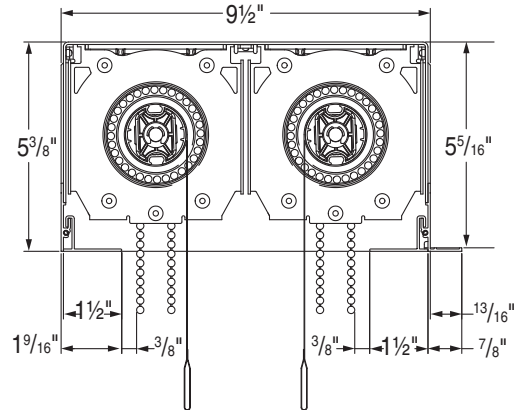


Figure 4

- ⑧ Put removable closure in place (see Fig. 5). For larger shades, the bundle diameter may require you to lower the shade before the closure can be put in place.

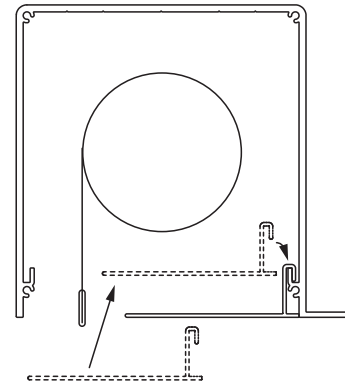


Figure 5

Closures with Wall Clips (see Fig. 6, page 2)

- ① Closures with Wall Clips come in 12' sections and must be cut to fit the space available. Measure and cut Clip and Closure extrusions to fit installation requirements.
- ② If installing bead chain clutch shades above the Closure with Wall Clip, you may need to trim closure to allow for bead chain clearance.

DRAPER®

411 S. Pearl St., Spiceland, IN 47385 USA ■ 765-987-7999

www.draperinc.com ■ fax 765-987-7142

Copyright © 2012 Draper Inc. FormFlexShadeAccessories_Inst12 Printed in U.S.A.

Continued on Page 2

If you encounter any difficulties installing or servicing your FlexShade Accessories, call your dealer or Draper, Inc. in Spiceland, Indiana, 765-987-7999, or fax 765-987-7142.

- ③ Attach using hardware appropriate to mounting surface and conditions.
Please Note: It is the responsibility of the installer to provide hardware appropriate for mounting surface and site conditions.
- ④ Install roller assembly (see instructions provided with the shade roller/fabric/operator assembly).
- ⑤ Hook Closure onto Wall Clip.

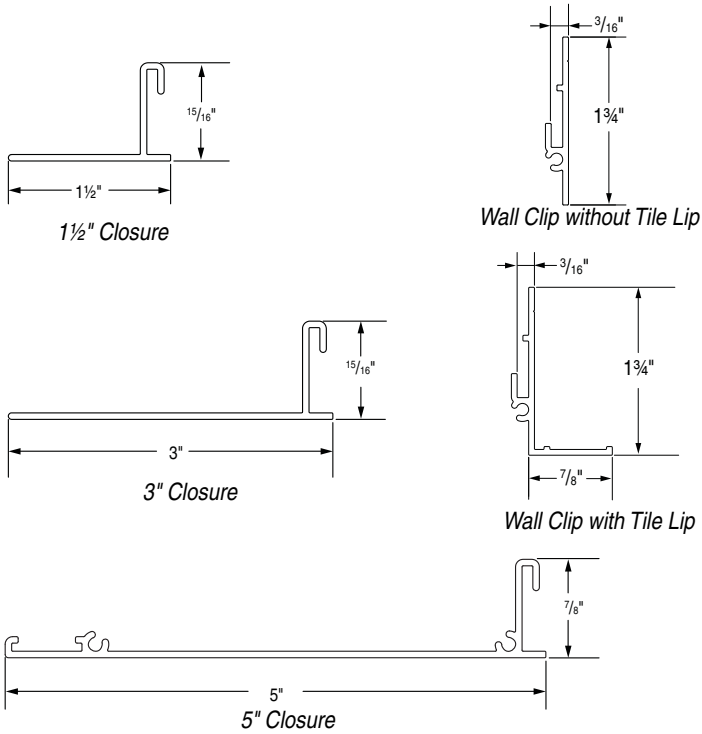


Figure 6

"U" Channels

- ① "U" Channels come in 16' lengths and must be cut to the height required. Measure and cut extrusions to fit installation requirements (see Fig. 7).
 - ② Drill holes in "U" Channels for mounting to wall or jamb.
- Please Note: "U" Channels are not compatible with all Draper shade products. Contact Draper with questions.**

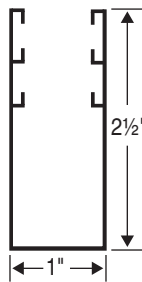


Figure 7

- ③ Attach using hardware appropriate to mounting surface and conditions (see Fig. 8).

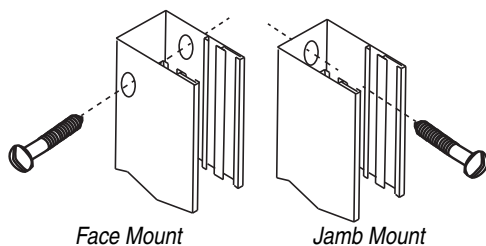


Figure 8

Please Note: It is the responsibility of the installer to provide hardware appropriate for mounting surface and site conditions.

- ⚠ **Caution: Make sure that you leave enough space at the top of the side channels to keep the "U" Channel from interfering with shade operation. If using with motorized shades, set limit switch so the shade slat does not come up out of the "U" Channel. If using with bead chain clutch shades, install stop balls onto bead channel so the shade slat does not come up out of the "U" channel.**

- ④ Use provided Color-Matched Buttons to cover outer screw holes.

"H" Channel

- ① "H" Channels come in 16' lengths and must be cut to the height required. Measure and cut to fit installation requirements (see Fig. 9).
 - ② Drill holes in "H" Channel for mounting to wall or jamb.
- Please Note: "H" Channels are not compatible with all Draper shade products. Contact Draper with questions.**

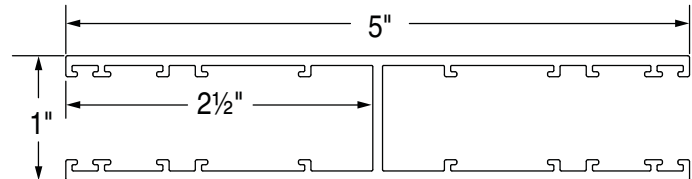


Figure 9

- ③ Attach using hardware appropriate to mounting surface and conditions.

Please Note: It is the responsibility of the installer to provide hardware appropriate for mounting surface and site conditions.

- ⚠ **Caution: Make sure that you leave enough space at the top of the "H" channel to keep it from interfering with shade operation. If using with motorized shades, set limit switch so the shade slat does not come up out of the "H" Channel. If using with bead chain clutch shades, install stop balls onto bead channel so the shade slat does not come up out of the "H" channel.**

- ④ Use provided Color-Matched Buttons to cover outer screw holes.

"L" Angles

- ① "L" Angles come in 12'3" (3/4" x 1") or 16' (1" x 2 3/4") lengths and must be cut to the height required available. Measure and cut Clip and Closure extrusions to fit installation requirements (see Fig. 10).

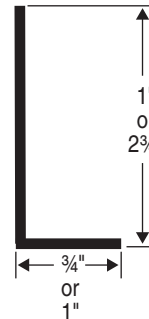


Figure 10

- ② Drill holes in "L" Angles for mounting to wall or jamb.
- ③ Attach using hardware appropriate to mounting surface and conditions (see Fig. 11).

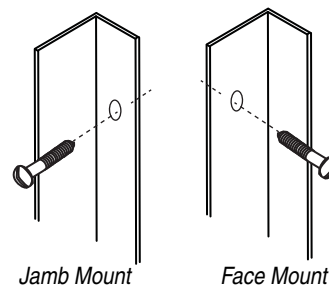


Figure 11