

Dual Roller FlexShade with Pocket Headbox

Installation Instructions

DRAPER

⚠ Caution ⚠

- ① The Dual Roller FlexShade with Pocket Headbox is shipped in one carton; the shades and/or screen are shipped in a separate carton; controls may also be shipped in a separate carton.
- ② Verify dimensions of opening and refer to order for overall dimensions of the unit. Dimensions are noted on the outside of the carton. Shade dimensions are given width x height; screen dimensions are given height x width.
- ③ If installing bead chain clutch shades, they are to be installed in areas accessible to young children, be certain to use cord tension device and heed warning at right.
- ④ Installer must ensure Dual Roller FlexShade is positively and securely anchored with appropriate fasteners for mounting surface.
- ⑤ Hanger brackets are shipped separately.
- ⑥ For motorized units, make sure POWER IS OFF before making electrical connections. Use extreme caution when working with electric motors.
- ⑦ Do not wire motors in parallel without written permission from Draper.
- ⑧ **Please read the following installation guidelines thoroughly and follow them carefully. Failure to do so may cause product to fall or otherwise fail, and invalidates warranty.**

Please Note: Custom products/installations may not be reflected by this document. Call Draper, Inc. if you have questions about your installation.

Pocket Headbox Installation

You must provide adequate clearance for removal of the Roller Assembly during installation and maintenance.

The Pocket Headbox for the Dual Roller FlexShade must be mounted directly to the ceiling, or to a continuous blocking that has been secured to the building structure (see Fig 2 at right).

- ① Lift the headbox into mounting position. Mark the location of the optional pre-drilled pocket mounting holes and the Endcap mounting holes on the top side of the headbox (Fig. 1) on the ceiling or continuous blocking.
- ② Drill small starter hole (if necessary) in mounting surface.

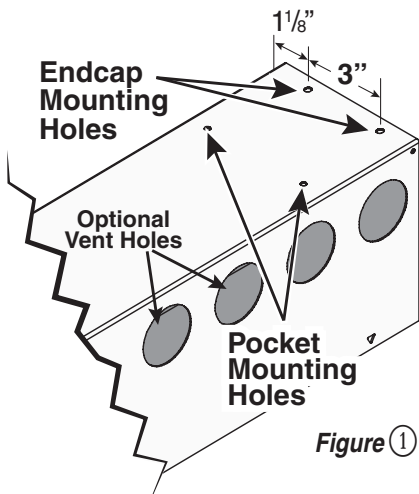


Figure ①

- ③ Mount pocket headbox using appropriate fasteners for surface.

NOTE:
The installer is responsible for selecting appropriate mounting hardware for site conditions.

- ④ Mount endcaps using appropriate fasteners for surface.

NOTE:
It is essential that endcaps are fastened securely to the mounting surface and are not able to move from side to side.

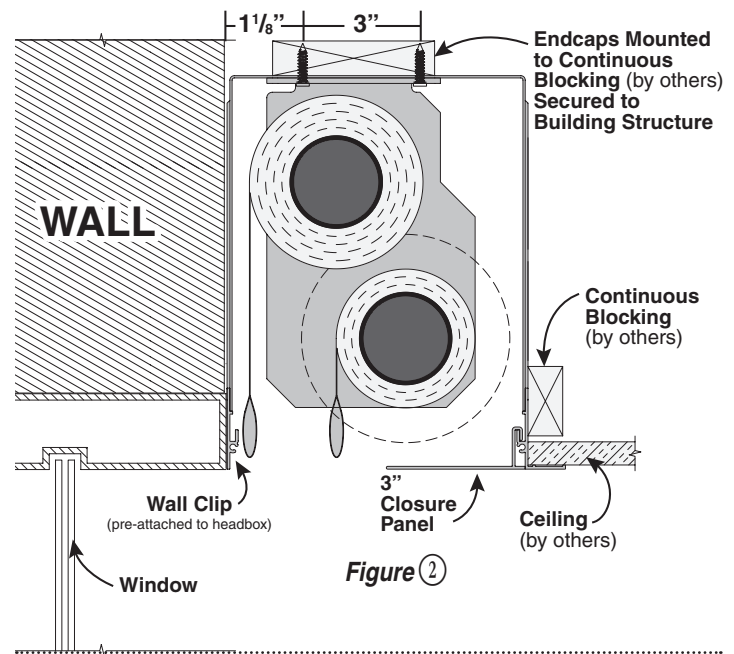


Figure ②

Installing Closure Panel

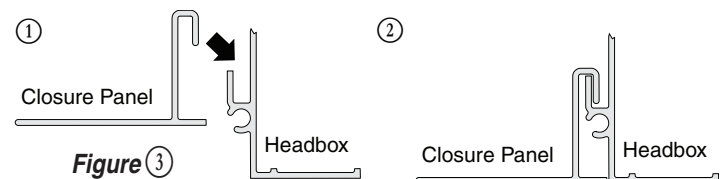


Figure ③

DRAPER

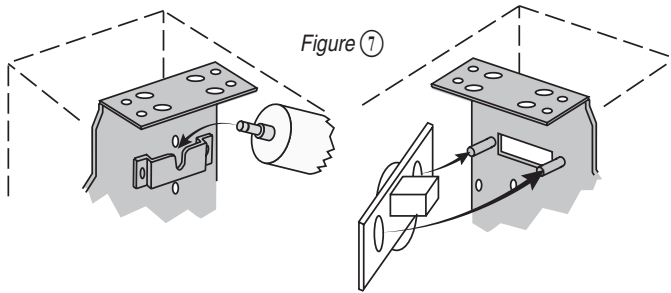
411 S. Pearl St., Spiceland, IN 47385 USA ■ 765-987-7999
www.draperinc.com ■ fax 765-987-7142

Copyright © 2017 Draper Inc. Form DualRollerFlexShade_PHB_Inst17 Printed in U.S.A.

If you encounter any difficulties installing or servicing your Dual Roller FlexShade, call your dealer or Draper, Inc., Spiceland, Ind., (765) 987-7999 or fax (765) 987-7142.

Shade Assembly for Motorized Operators

- Place operator end of upper roller onto its bracket, then slide notched pin on other end into slot on bracket. Secure operator end with retainer pins, and secure pin end with retainer clip (see Fig. 7).
- Install the lower roller in the same manner.



- To cover multiple openings, a single headbox may be separated into compartments. Repeat steps one and two for each compartment.
Note: Remove protective strips from rollers before operating.

Electrical Connections

Motorized units operate on 110v., 60 Hz. current. Shades and screens are shipped standard with internal wiring complete and control switch(es) fully boxed. 6' lead provided, or shades and screens can plug into optional junction box(es) located inside headbox. Wiring to controls and electrical must then be completed from the 6' lead. Connections should be made in accordance with attached wiring diagram on page 4, and wiring should comply with national and local electrical codes. **All operating switches should be "off" before power is connected.**

Please Note:

For low voltage wiring requirements, Draper recommends consulting with a professional low voltage electrical contractor. It is very important that shielded and stranded CAT 5 cable be used to prevent any electrical interference.

Coupled/Side-to-Side Mount

NOTE: For coupled units, see separate instructions for Dual Roller Coupled FlexShade.

Field Adjustments

Each Draper Solar Control Shade is tested to ensure proper operation. Even with this testing, some field adjustments may be needed for telescoping. If the shade is telescoping, place a piece of high quality gaffer tape about 1" wide on the exposed roller (where the fabric will cover it) on the side that you want the fabric drawn toward. For example: if the fabric is tracking to the left, place the tape on the right side

Cleaning and Maintenance

Window covering products manufactured by Draper, when properly installed, should require no operational maintenance or lubrication. Most of Draper's standard fabrics may be cleaned at the window by vacuuming with a soft brush attachment. They may also be cleaned by using a sponge or soft cloth and mild solution of warm soapy water. A dishwashing liquid, such as Ivory liquid, is recommended. A clean dry cloth is recommended for the metal finish.

Exceptions are Flocké, Roc-Rol, Vizela, Avila Twilight, Edessa Twilight and SW7000 fabrics, which must be cleaned with a dry art sponge.

Limit Switch Adjustments

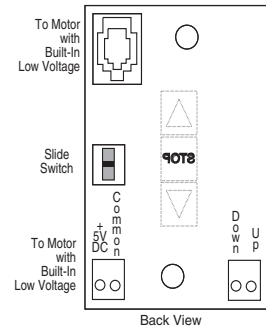
Push Button Limits

- Fully depress both limit switch push buttons, then operate wall switch to make sure system works properly.
- Raise shade to desired "up" stop position.
- Set upper limit by depressing and releasing the proper (back) push button.
- Lower shade to desired "down" stop position.
- Set lower limit by depressing and releasing the proper (front) push button.

Screw-Type Limits

- Determine which direction of fabric travel corresponds with arrows on motor.
- Operate shade to desired "down" stop position. Set limit by turning the proper socket toward the "+" to lower the limit, and "-" to raise it.
- Operate shade to desired "up" stopping position. Set limit by turning the proper screw toward the "-" to raise the limit, and "+" to lower it.

POSITION	FUNCTION
DOWN	Set LOWER limit
UP	Set UPPER limit
CENTER	Normal Operation



Please Note: 5V DC must be connected to be able to set limits using the wall switch.

Figure 8

RTS Motors - Limit Adjustments

For instructions of setting limits on these motors, consult Draper's Motorized Shade Handbook, available in the motorized shades section of www.draperinc.com.

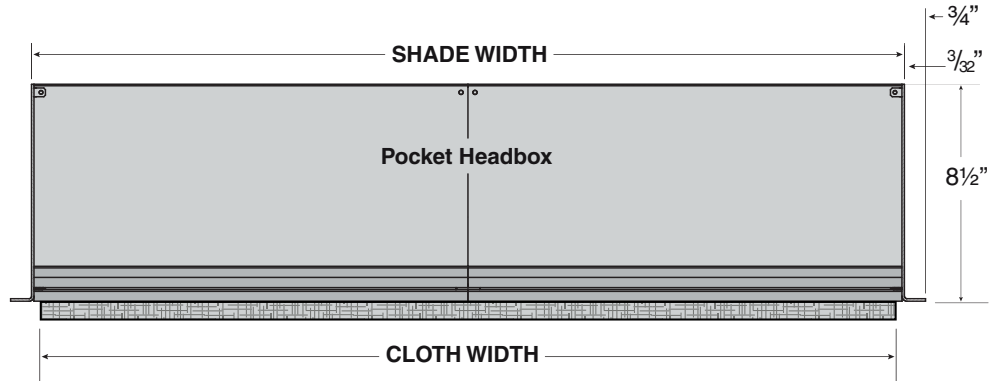
ILT Motors - Limit Adjustments (refer to Figure 8)

- Connect the ILT switch to the motor via the terminal blocks, or via the modular port using four conductor modular cable. When using modular cable, the cable connectors MUST NOT be crimped in reverse, as with standard telephone cable.
- Set the slide switch to the lower position. Press and hold the DOWN button on the switch to move the viewing surface to the desired lower limit. If the shade moves in the opposite direction, release the DOWN button and press and hold down the STOP button for four seconds. This will reverse the operation of the UP and DOWN switches.
- Move slider switch into center position. Wait a couple of seconds.
Please Note: If you move the slider switch from down to up in one motion it sets the two limits in the same position.
- Set the slide switch to the higher position. Move the shade to the desired upper limit by pressing and holding the UP button on the wall switch.
- Return the slide switch to the center position to return to normal operation.
- To set the shade to an intermediate position, move the shade to the desired position and press the TOP button. Press and hold the STOP button for at least three seconds to record the position.

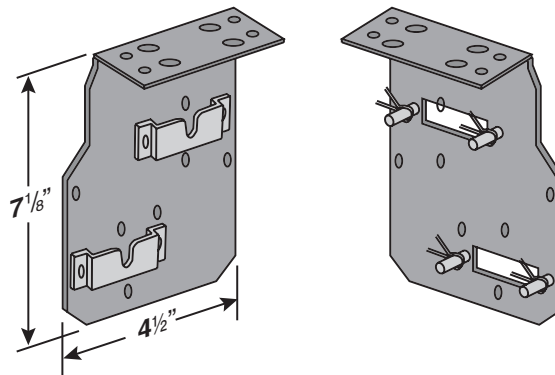
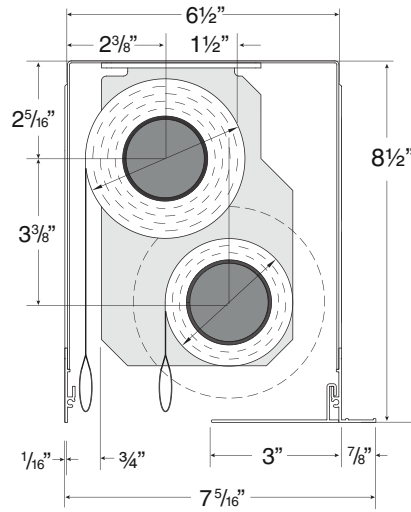
Please Note:

- Pressing and releasing the UP button will move the shade to its upper limit.
- Pressing and releasing the DOWN button will move the shade to its lower limit.
- While the motor is in motion, pressing the STOP button for less than two seconds will stop the shade at its present position.
- Once the motor is stopped, pressing the STOP button will move the shade to its intermediate position.
- Pressing and holding the STOP button, when the motor is at rest or in motion, for at least three seconds will record a new position.

Dual Roller FlexShade Pocket Headbox - Dimensions



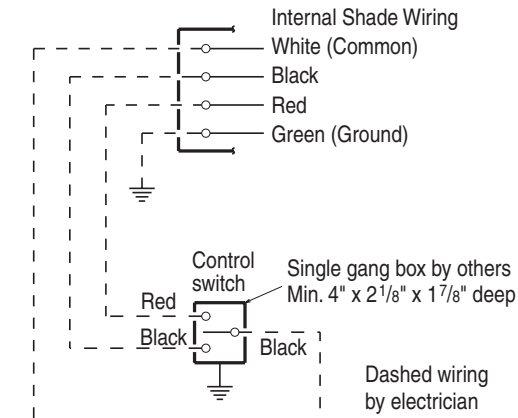
Shade Width and Rough Opening will vary depending on motor selection.



Wiring Diagrams

Sonesse 120V AC Motor Wiring Diagram

This diagram is for standard switching for one roller in the Dual Roller FlexShade with Pocket Headbox. Because each roller is isolated on its own contacts, this diagram will need to be followed for both rollers. For low voltage, remote, or group control, consult wiring diagrams provided with control.

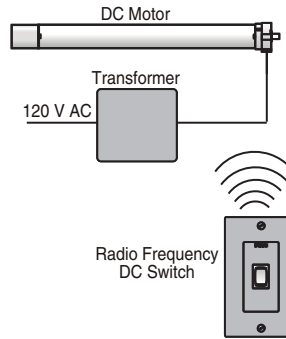


NOTE:
TEST SHADE OPERATION.
If shade direction does not correspond with the switch orientation, turn power back off and switch the red and black wires from the motor to the switch.

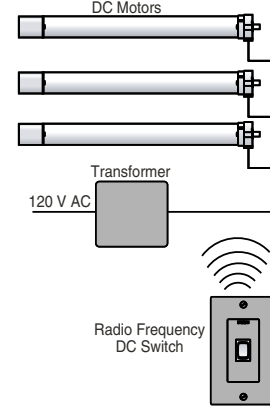
Do not wire motors in parallel without written permission from Draper.

ST30 24V Dry Contact Motor Wiring Diagram

Single Shade

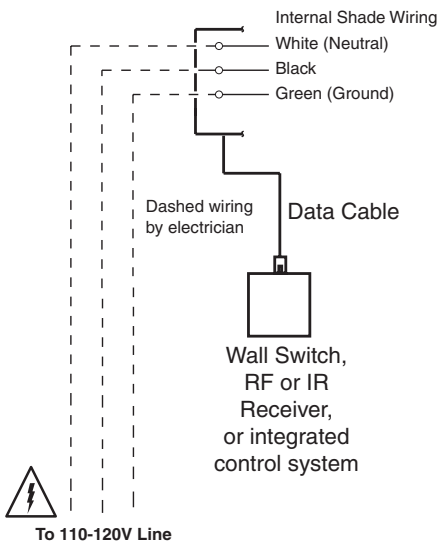


Multiple Shades

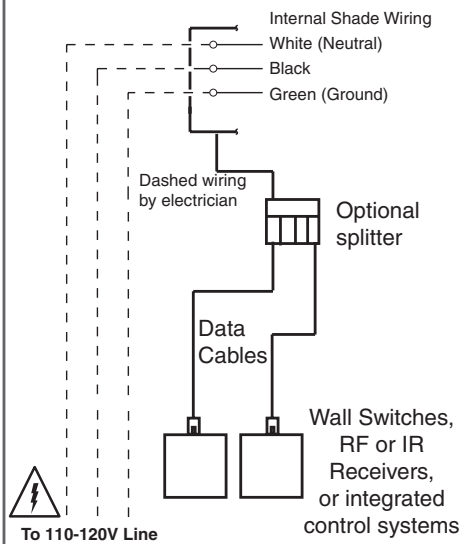


485 Sonesse 120V Motor Wiring Diagrams

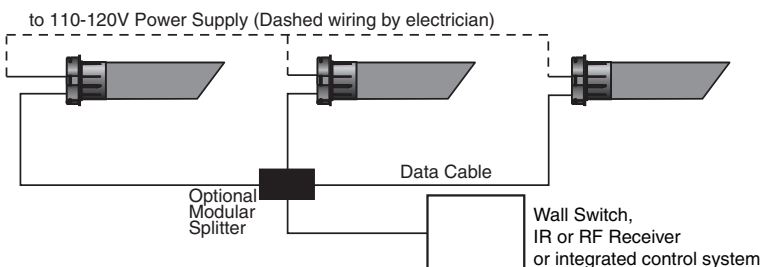
Single Low Voltage Control



Multiple Low Voltage Controls



Multiple ILT Motors



Sonesse RTS Motor Wiring Diagram

