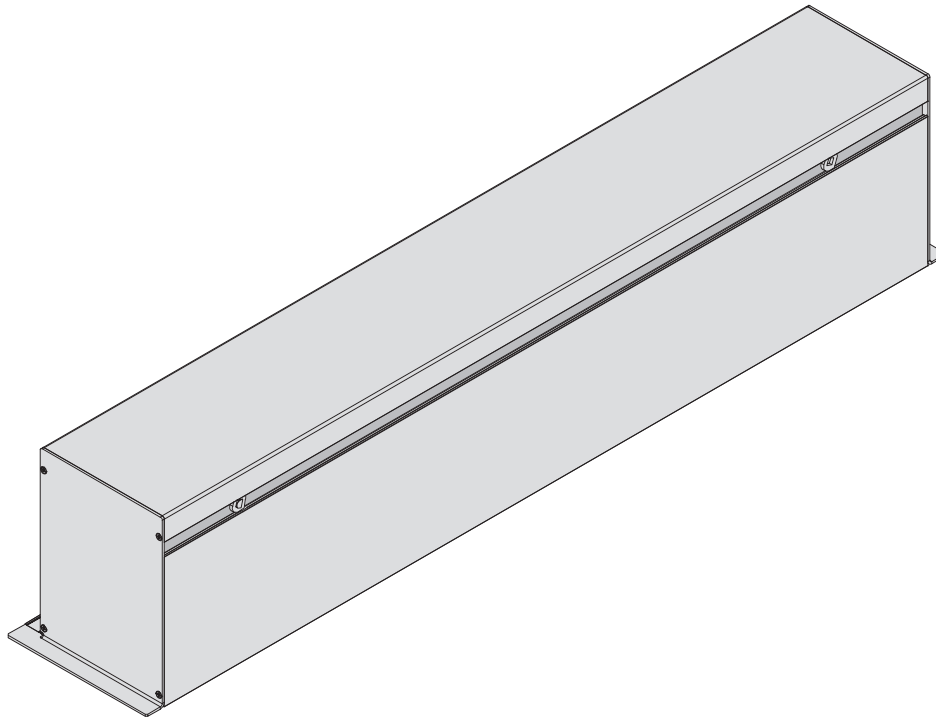


Dual Roller Extruded Aluminum Headbox

Collapsible Flat-Pack Extruded Aluminum Dual Roller Headbox

INSTRUCTIONS

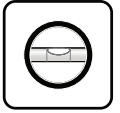
INSTALLATION & OPERATION



TOOLS REQUIRED



PENCIL



LEVEL



POWER DRILL



HARDWARE (by others)



TAPE MEASURE



1/4" DRIVE ADAPTOR



SOCKET WRENCH

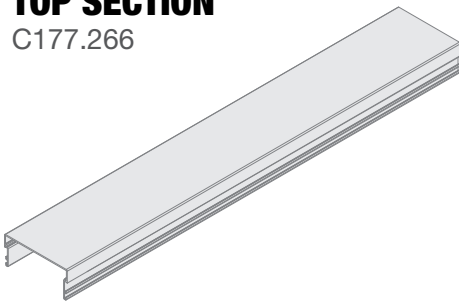
⚠ CAUTION ⚠

Read and understand all warnings before beginning installation.

Overview - Components

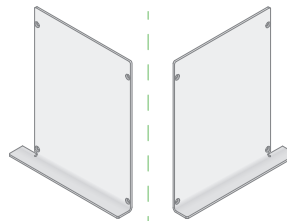
TOP SECTION

C177.266



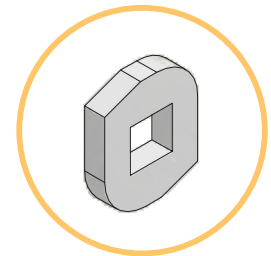
ENDCAPS

C126.404.30 – FRONT TILE LIP, LH (Shown)
C126.405.30 – FRONT TILE LIP, RH (Shown)
C126.403.30 – NO TILE LIP
C126.406.30 – FULL TILE LIP
C126.407.30 – FLUSH TILE SUPPORT



QUARTER TURN CLIP

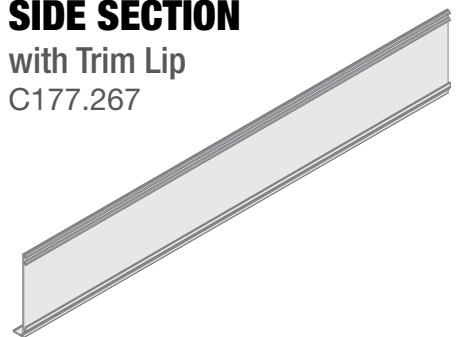
C014.118 - 12 per bag



SIDE SECTION

with Trim Lip

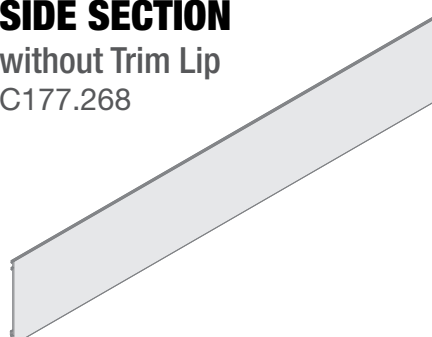
C177.267



SIDE SECTION

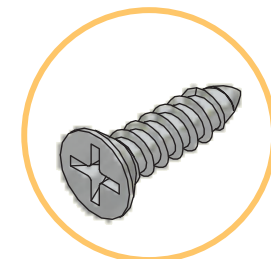
without Trim Lip

C177.268



ENDCAP SCREWS

C020.420



If you have any difficulties installing or servicing your FlexShade® Headbox, call your dealer or Draper, Inc.

PLEASE READ - **Important Safety Information**

Important Safety Information



WARNING

Important Safety Information

Improper installation and use of the Dual Roller Extruded Aluminum Headbox can result in serious injury or death. Primarily, injuries can occur if the unit falls due to imprecise installation, mishandling of the shade during installation, or installation on an insufficient wall or ceiling structure. Please use extreme care.

1. Please read the following installation guidelines thoroughly and follow them carefully. Failure to do so may cause product to fall or otherwise fail, and could result in serious injury.
2. Installation and calibration of the shade should only be performed by an authorized, qualified, and experienced professional.
3. Do not affix the unit to wall or ceilings that have inadequate strength to permanently hold the unit during use. It is the owner's and installer's responsibility to confirm the wall or ceiling to which the unit attaches is sufficient to permanently hold the weight and stress loads of the unit at all times. Draper®, Inc., is not responsible for improper installation, application, testing, or workmanship related to the product at place of installation.
4. It is the installer's responsibility to make sure appropriate fasteners are used for mounting.
5. All brackets, fascia, headboxes, pockets, wall clips, and other hardware must be installed level. Shade unit must be level and square.
6. Before testing or operation, carefully inspect the entire area and path of the shade and areas underneath the shade to be sure no persons or objects are in the area.
7. During testing or operation, carefully watch the surrounding area for any potential safety concerns including nearby persons or objects.
8. After installation, the entire system should be carefully tested to ensure safe and normal operation. Extreme care should be taken during testing to remain clear of moving parts to avoid possible injury.
9. Operation of shade should be performed only by authorized and qualified personnel, who have been trained in the safe and effective operation of the shade and understand its safety features.
10. The safety features of the shade should never be disabled, bypassed, or overridden. The system should not be operated until all safety features are properly and completely installed, calibrated, and tested.
11. Shade may need to comply with local, state, or district rules and regulations, in particular when installed in schools. All applicable rules and regulations should be reviewed before installation and use.
12. Failure to precisely follow installation guidelines invalidates all warranties.
13. Custom products/installations may not be reflected in this manual. Call Draper, Inc., if you have questions regarding your installation.

Before Beginning Installation

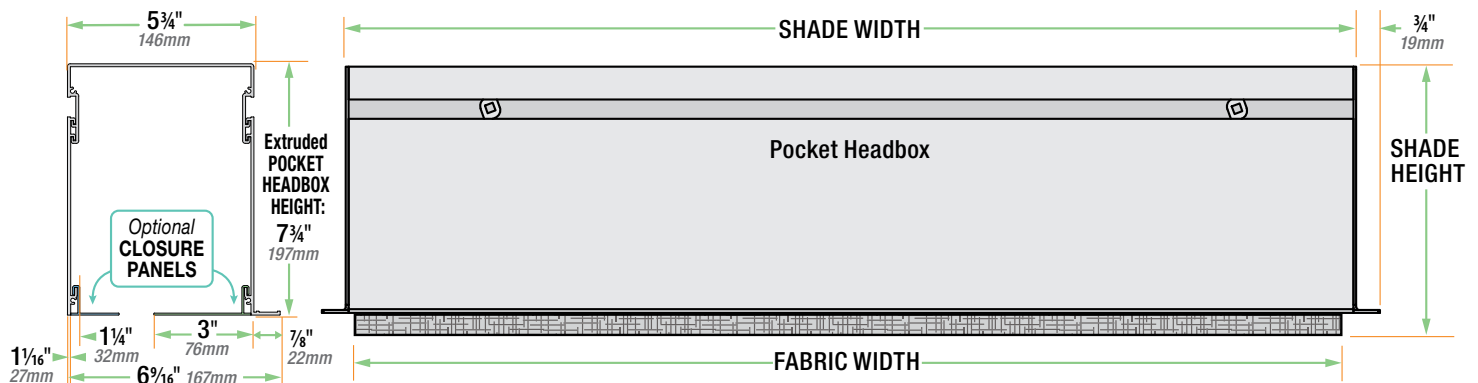
1. Look for any job site conditions that could interfere with installation or operation of the system.
2. Read carefully and be sure to understand all installation instructions and all related operations manuals. These instructions are intended to serve as a guide for the installer and owner. They should be followed closely and combined with the expertise of experienced qualified installers. Draper, Inc., is not responsible for improper installation, application, testing, or workmanship related to the product at place of installation. Please retain all instructions for future use.
3. Open cartons lengthwise, taking care not to cut into cardboard shipping container.
4. Locate and lay out all pieces.
5. Inspect all boxes to make sure you have received the proper shade and parts. Controls may be shipped separately, or in same carton as shade.
6. If you have any difficulties with installing, servicing, or operating your shade, call your dealer or Draper, Inc., 765-987-7999.

PLEASE READ - **Important Installation Information**

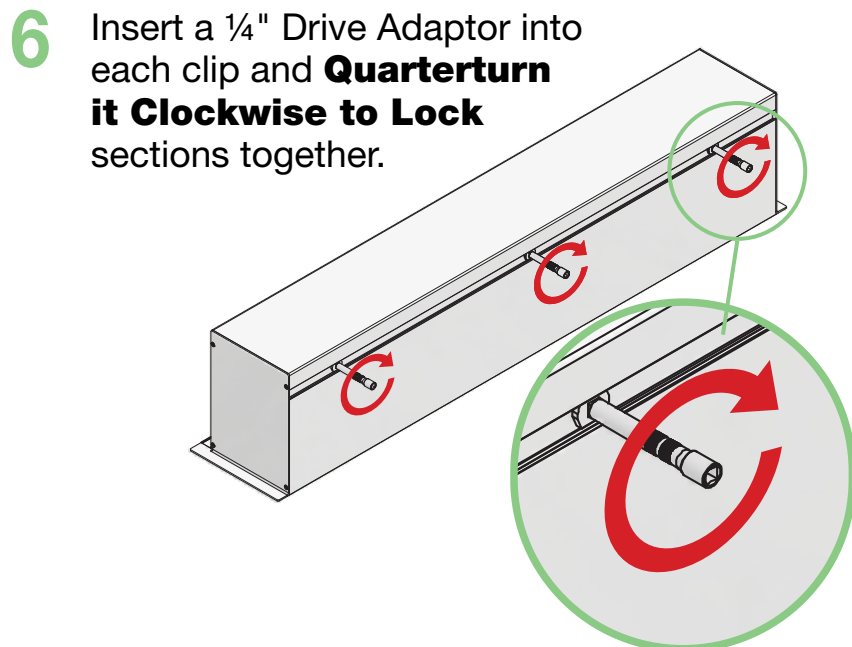
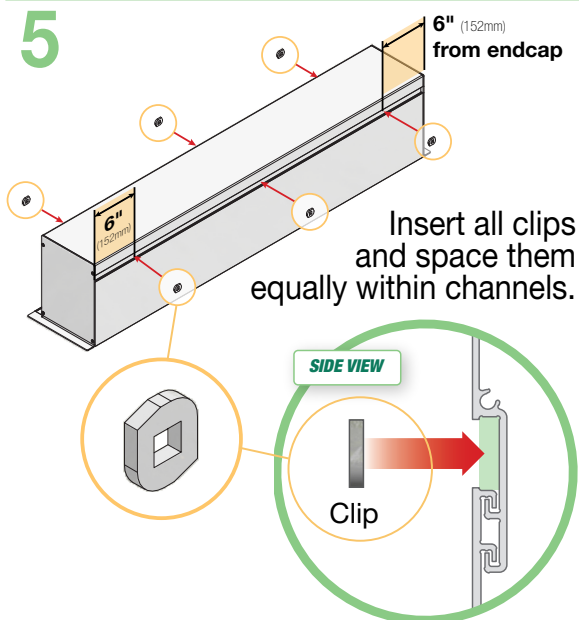
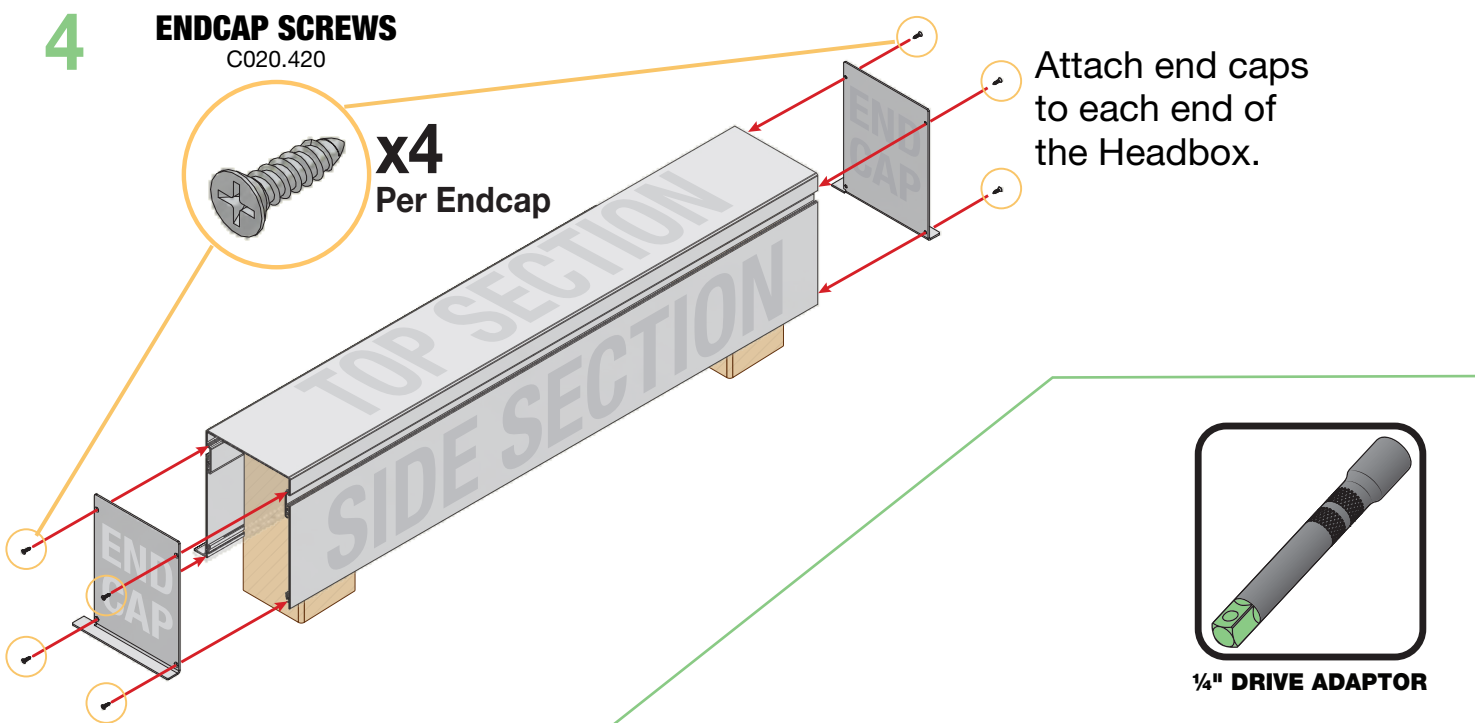
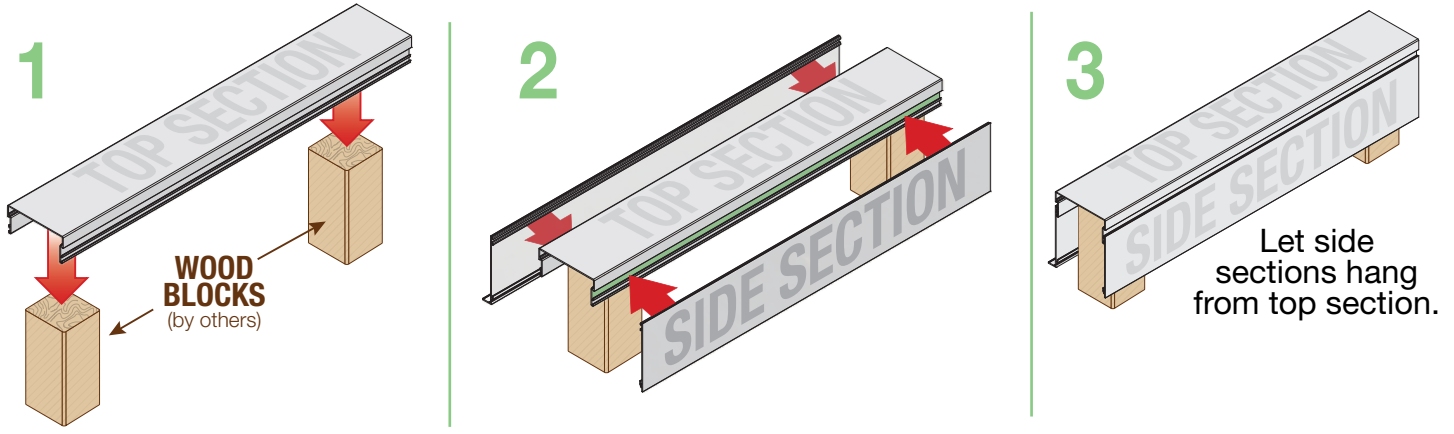
Caution:

1. Inspect all boxes to make sure you have received the proper shades and parts. Controls may be shipped separately, or in same carton as shades.
2. Open cartons lengthwise, taking care not to cut into cardboard shipping container.
3. Before mounting shades, verify measurements on label provided with shade, and ensure unit is installed at correct width.
4. All endcaps, fascia, pocket headbox, and other hardware must be installed level. Shades must be level and square.
6. **Read the following installation guidelines thoroughly and follow them carefully. Failure to do so may cause product to fall or otherwise fail, and invalidates warranty.**
7. **Installer is responsible for selecting mounting hardware appropriate for site conditions.**

Section 1 - **Headbox Dimensions**

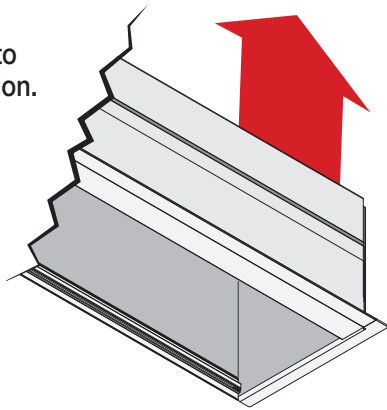


Section 2 - Assembling Headbox

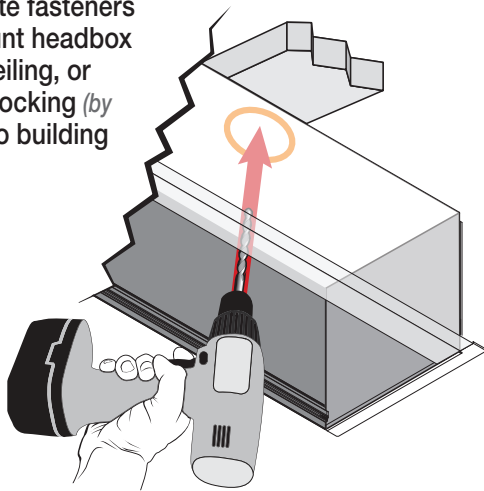


Section 2 - Headbox Installation

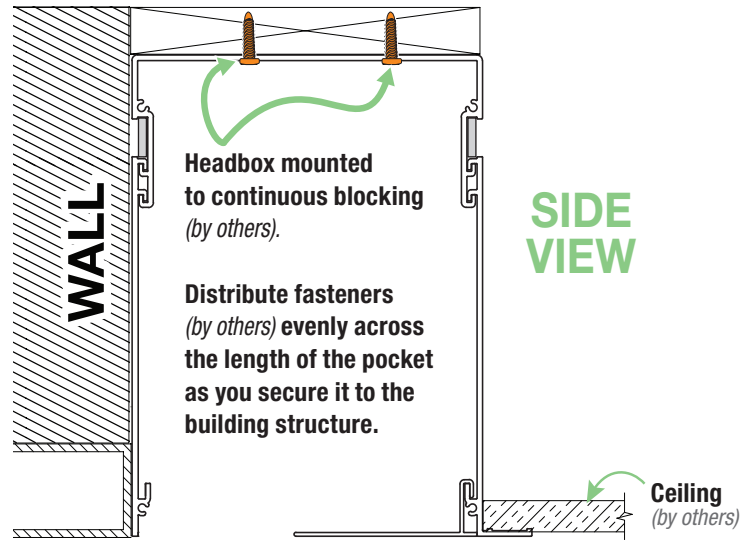
1. Lift headbox into mounting position.



2. Using appropriate fasteners for surface, mount headbox directly to the ceiling, or to continuous blocking (by others) secured to building structure.

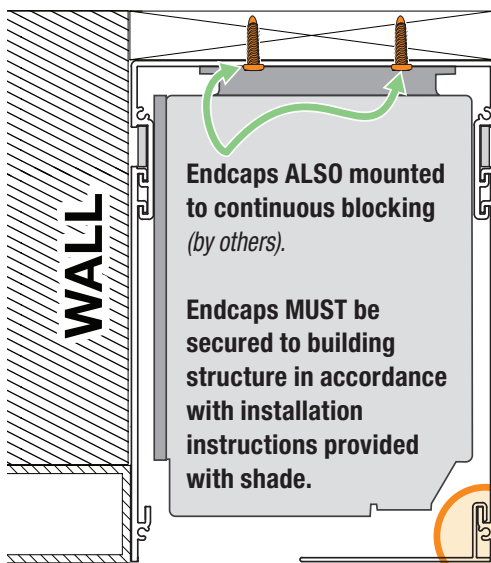


PLEASE NOTE: Installer must provide adequate clearance for removal of Roller Assembly during installation and maintenance.



PLEASE NOTE: Headbox must be mounted directly to ceiling, or to a continuous blocking that is secured to building structure.

3. Install endcaps and roller assembly in accordance with installation instructions provided with the shade product.



4. Mount pocket closures to the interior of the headbox.

