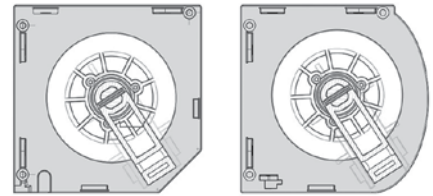
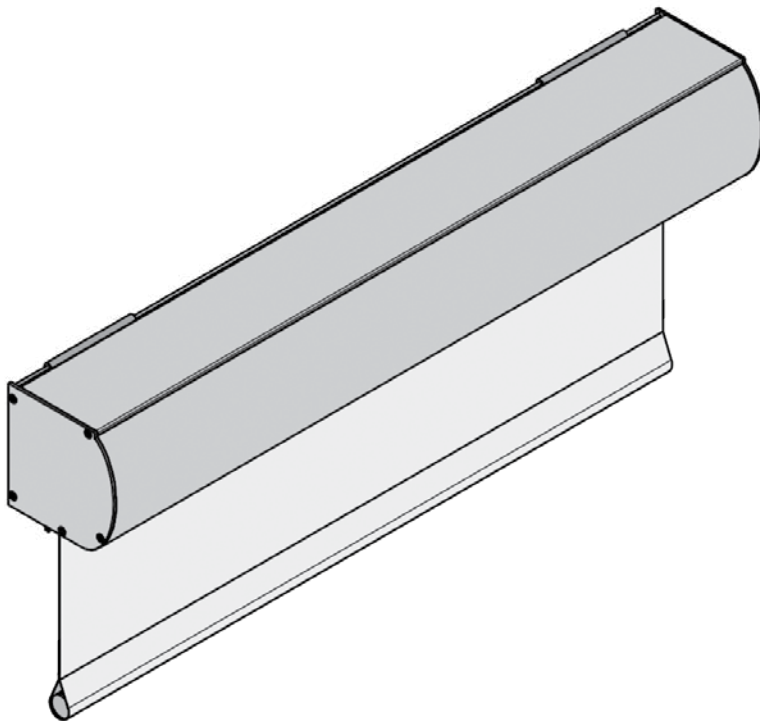


MOTORIZED FLEXSHADE XL®



- With a 5" (13 cm) profile, the wall- or ceiling-mounted FlexShade XL window shade features Draper's largest cassette-style FlexShade. At up to 25' (762 cm) wide, this shade utilizes an improved 127 headbox with an integrated cradle support system to allow wider widths while minimizing deflection.

FEATURES

- Two Headbox Styles: angled and curved.
- Secure moisture resistant connection to line voltage using M12 Connector or Plug & Play option using three-prong NEMA plug.
- Wireless wall switches available in 1, 2, 3, 4, or 5 channels. Handheld remotes are available in 1, 4, or 16 channels.
- Serial and dry contact interfaces available.
- Product designed for interior use.

OPTIONS

- Hardware finish choices: clear anodized (standard), black, white, ivory, or charcoal bronze. Custom powder coat colors available. windowshades/hardwareoptions.aspx
- Optional sun sensor or timer with on-screen display.
- Optional App control is available.

SIZES

- Available in sizes from 13' to 25' (396 cm to 762 cm) wide, depending on fabric selection.
- Larger sizes available with Colossal FlexShade.
- Utilizes 5" h (127 mm) ZIP 127 headbox.

FABRIC OPTIONS.

windowshades/fabricoptions.aspx

WARRANTY

warranty.aspx

SUPPORTING DOCUMENTS

All instructions, technical drawings and other supporting documents are located at: documents.aspx

For more information on this product visit: windowshades/motorizedshades.aspx