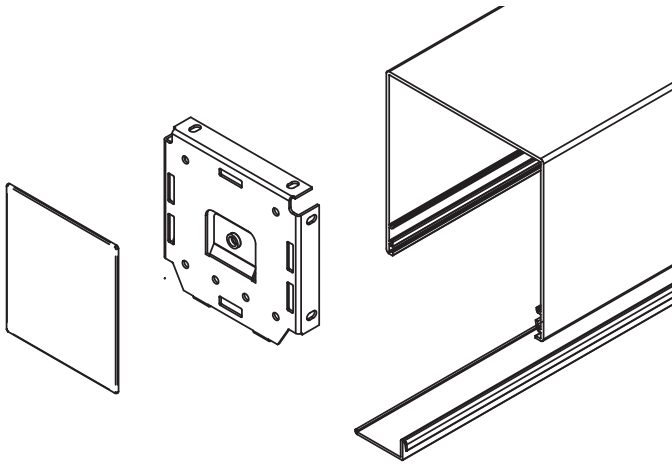


RECESSED MOUNT FlexShade® Hardware Overview

POCKET HEADBOXES

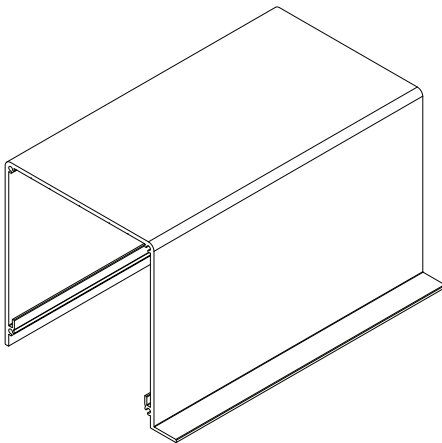


Three sided extruded aluminum U-shaped pocket for recessed mounting. Closure included. For use with mounting endcaps. Available in small or large. Small stock length 195". Large stock length 171".

Sizes: Small 3-¹⁵/₁₆" x 3-⁷/₁₆", Large 4-¹¹/₁₆" x 4-¹¹/₁₆".

Five standard colors in slightly textured finish. Smooth/glossy finish available at no extra cost, though subject to extended lead times. Custom colors available at upcharge. Optional styles and finishes may increase lead times.

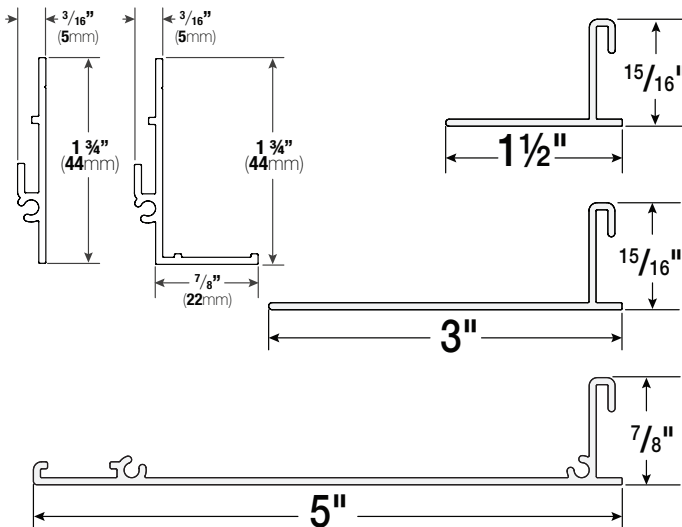
TYPE D POCKET HEADBOX



Extruded aluminum headbox with tile lip for acoustical ceiling support. If product fits into large hardware, it will fit into the Type D Pocket. Stock Length 147". White finish only. Use 1-¹/₂" removable closure panel with manual shades and 3" closure with motorized shades.

Size: Type D Pocket: 5" by 5-³/₈"

WALL CLIPS AND CLOSURES



Wall clips for mounting closure panels in existing pockets. Known in specs as "no cost pockets". Clips are available with or without tile lip for acoustical ceiling support. Aluminum extrusions are 147" stock length. Can be cut to size by Draper or by dealer. Compatible with closures listed below. White finish only.

Closure panels available in 1-¹/₂", 3", or 5" widths. 147" stock length. Can be cut to size by Draper or by dealer. 1-¹/₂" compatible with Type D pocket for manual shades. 3" compatible with Type D pocket for motorized shades. 5" for use with Wall Clips only. White finish only.