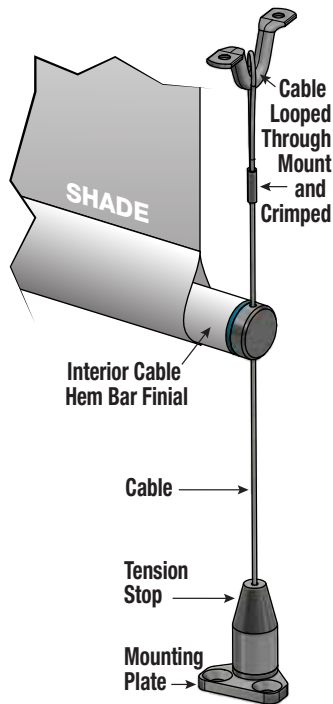


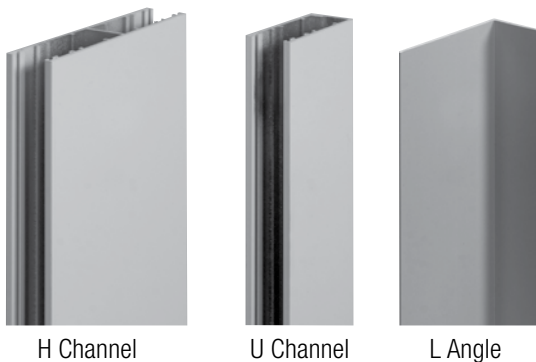
ACCESSORIES FlexShade® Hardware Overview

INTERIOR CABLE GUIDE KIT



Interior cable guide kit uses a 5/8" round hembar in an open ended pocket. Kit includes all options for wall or deck mounting and is compatible with brackets or endcaps and fascia. May be used on slightly sloped facades.

SIDE AND SILL CHANNELS



Aluminum side and sill channels for light gap reduction. U and H Channel are 195" stock lengths. Small 1" L Angle is 147" stock length. Large 2 3/4" L Angle is 195" stock length.

Five standard colors in slightly textured finish. Smooth/glossy finish available at no extra cost, though subject to extended lead times. Custom colors available at upcharge.

Optional plug buttons, channel liners, and fabric guides available.

VINYL L ANGLE



Vinyl L Angle for inexpensive, quick installation. Angle comes with self-adhesive tape pre-installed. Must be cut to length by dealer. 1 1/2" by 3/4" by 8'.

Five standard vinyl colors: black, white, ivory, bronze, and silver (to match clear anodized).