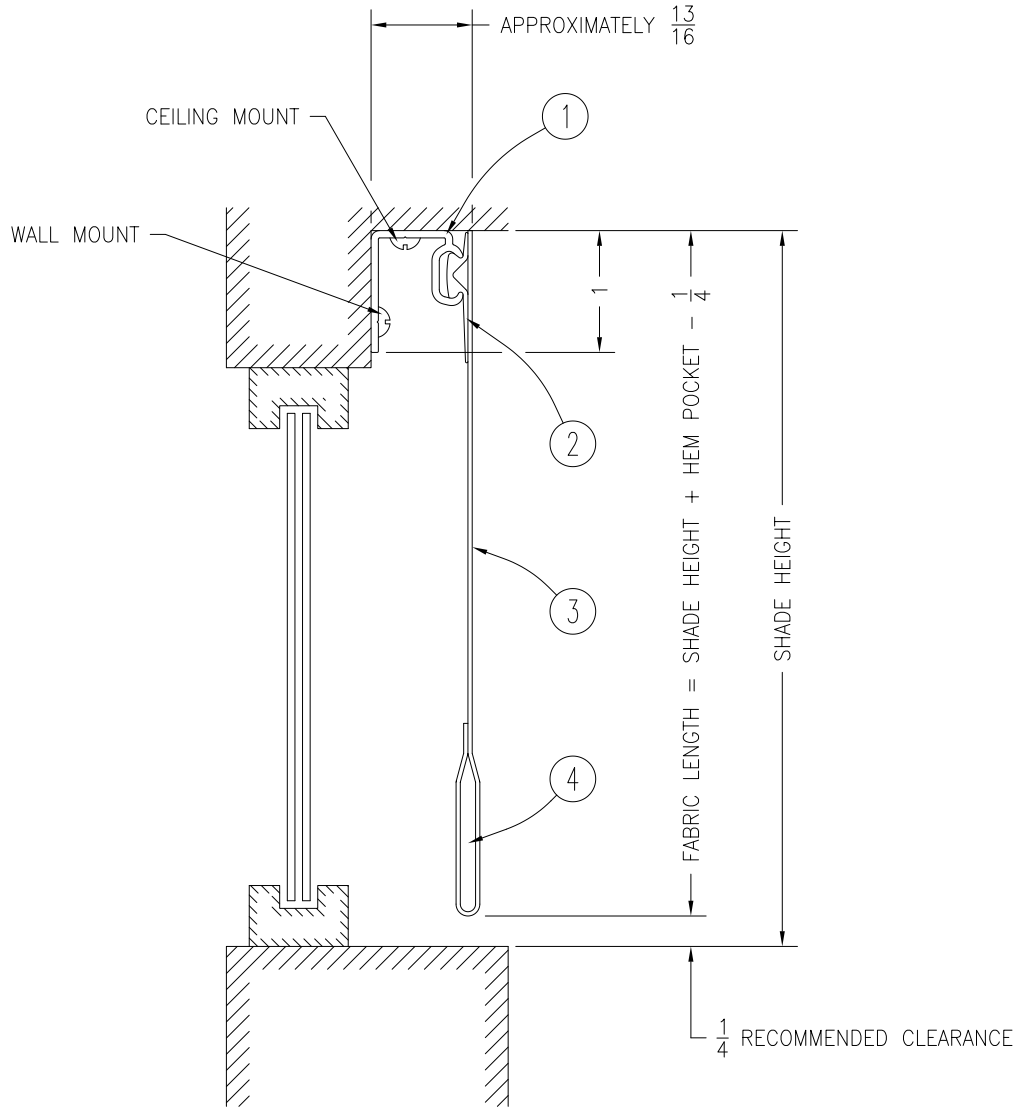


ITEM NO.	QTY	PART NUMBER	DESCRIPTION
1	FABRIC WIDTH	C014.067.00	CLIP, SHADE PANEL CEILING/WALL MOUNTING
2	FABRIC WIDTH	C180.007	SPLINE, LARGE FABRIC RETENTION
3	-	-	SHADE FABRIC
4	-	C101.001 C068.008 C073.086	HEM BAR, 1/8" T x 1" W ALUMINUM KEEPER STRIP, ALUMINUM TUBE, 11/16" ID x 13/16" OD ALUMINUM



**DRAPER**

## Fixed Shade, Free Hanging

DRAPER, Inc., 411 S. Pearl Street, Spiceland, Indiana 47385  
 EMAIL drapercontract@draperinc.com, PH 765-987-7999, FAX 866-637-5611