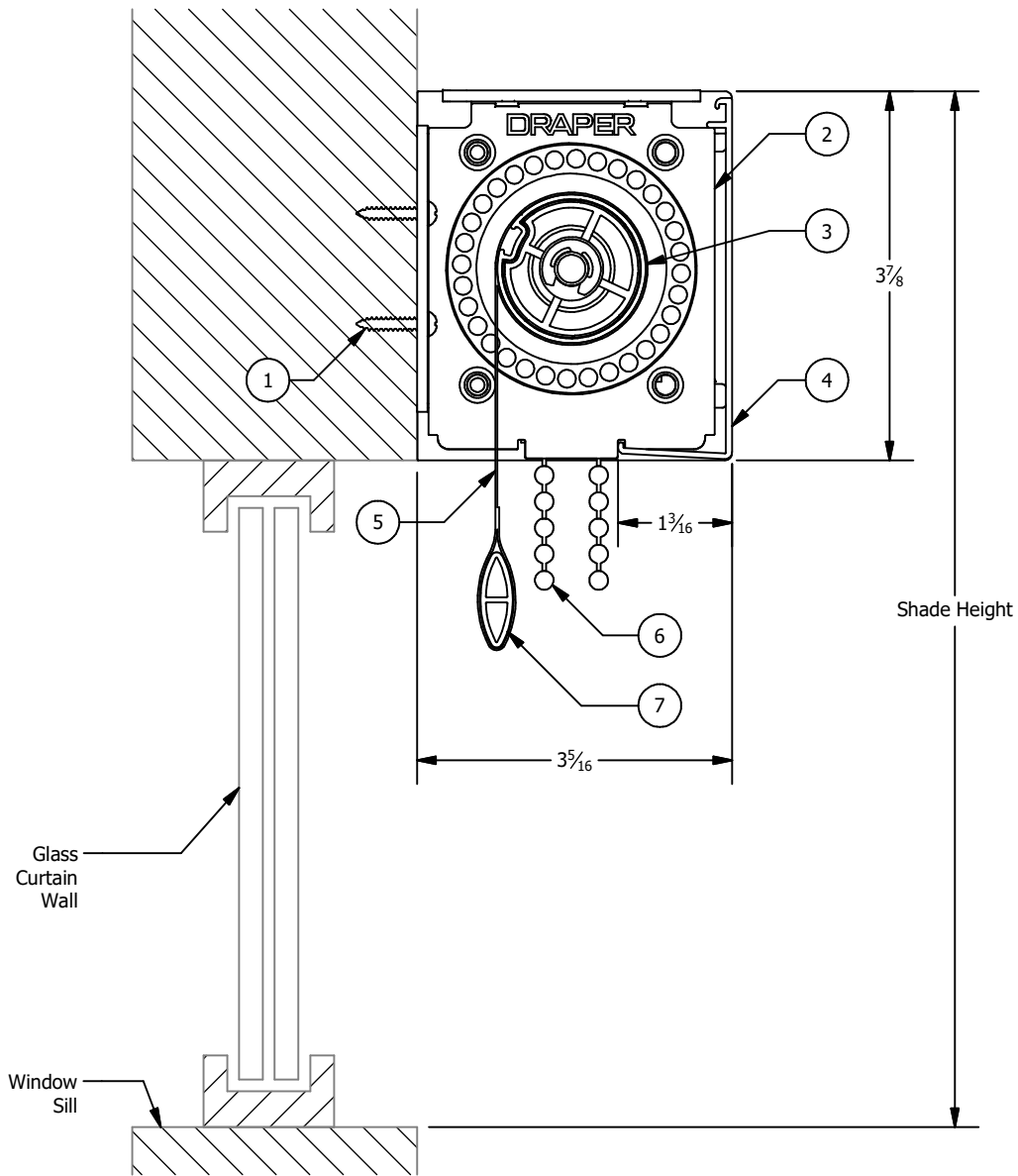


PARTS LIST	
ITEM	DESCRIPTION
1	Fasteners By Others
2	NEXD Clutch Small
3	Tube, Spline Roller
4	Fascia, 3-7/8" Square
5	Shade Fabric
6	Chain 6" Shorter Than Shade Height
7	Hem Pocket



Scale 1/2" = 1"

Window Type On Schedule: _____



NEXD Clutch, Small Hardware Wall Mount

Project: _____ Architect: _____
 Contractor: _____ Supplier: _____ Date: _____ Revised: _____