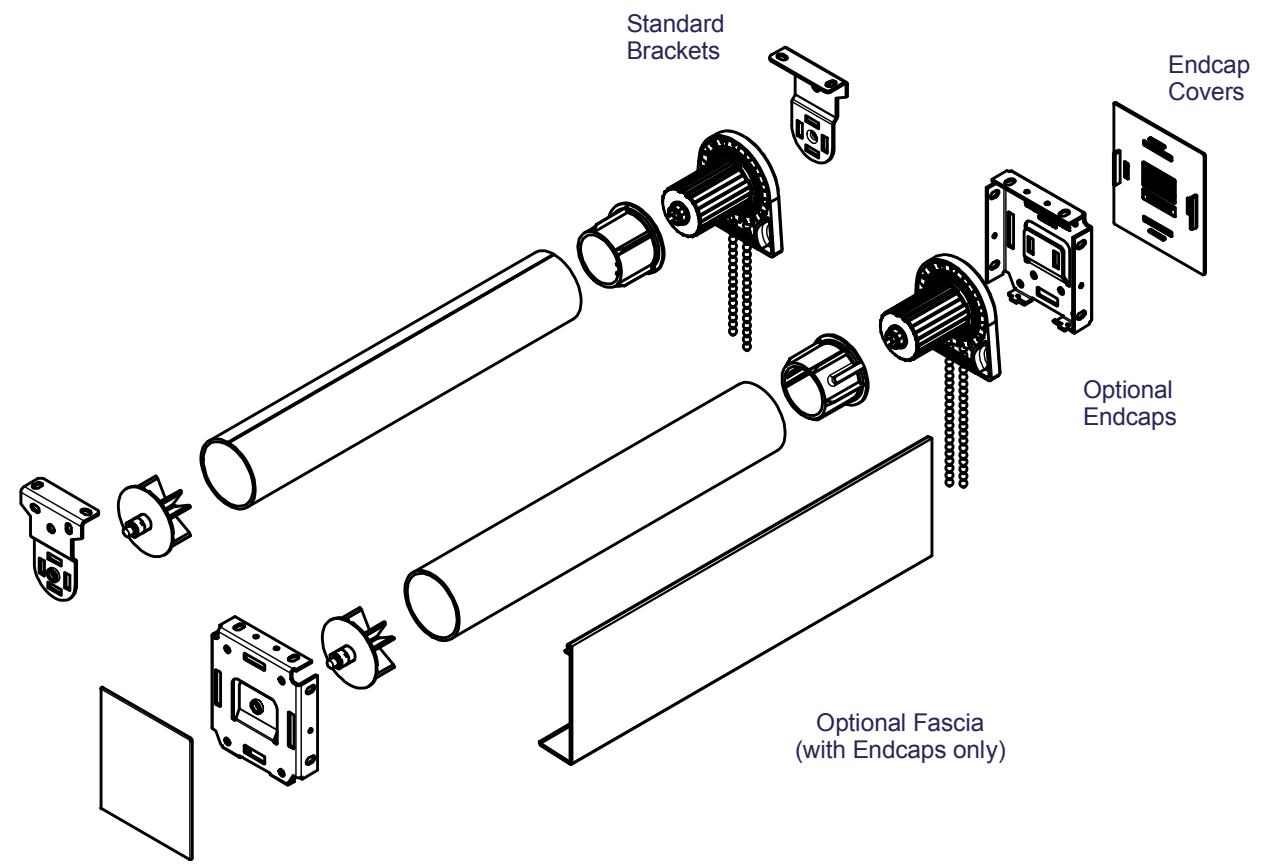
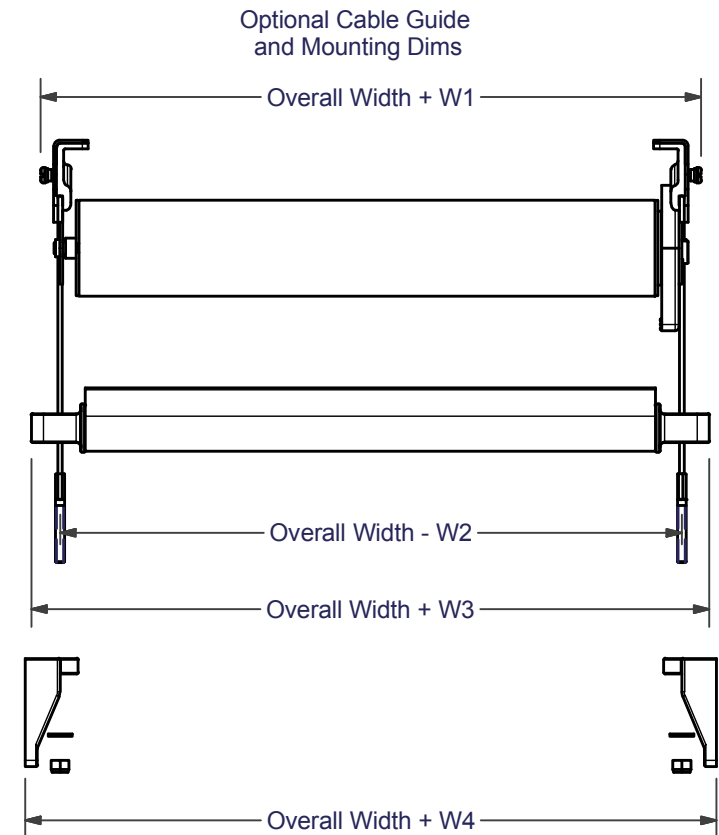
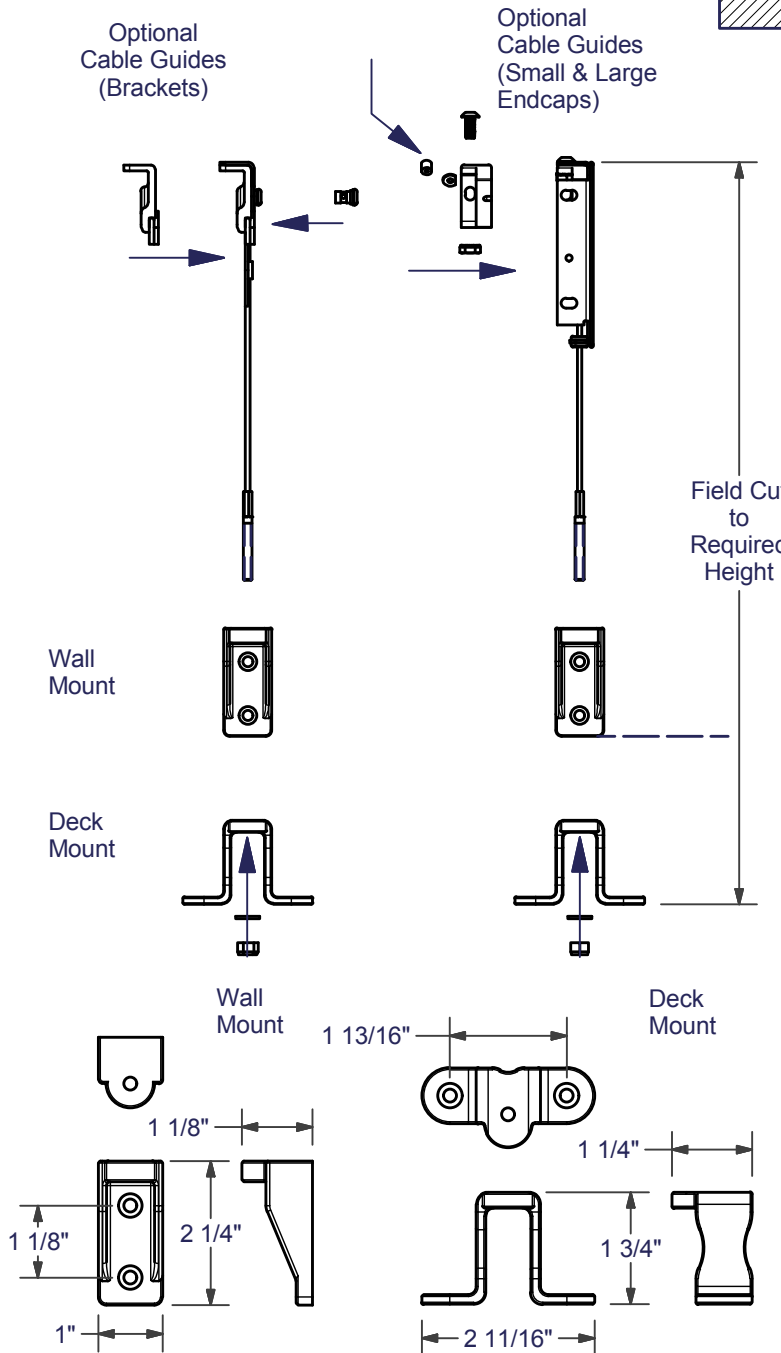
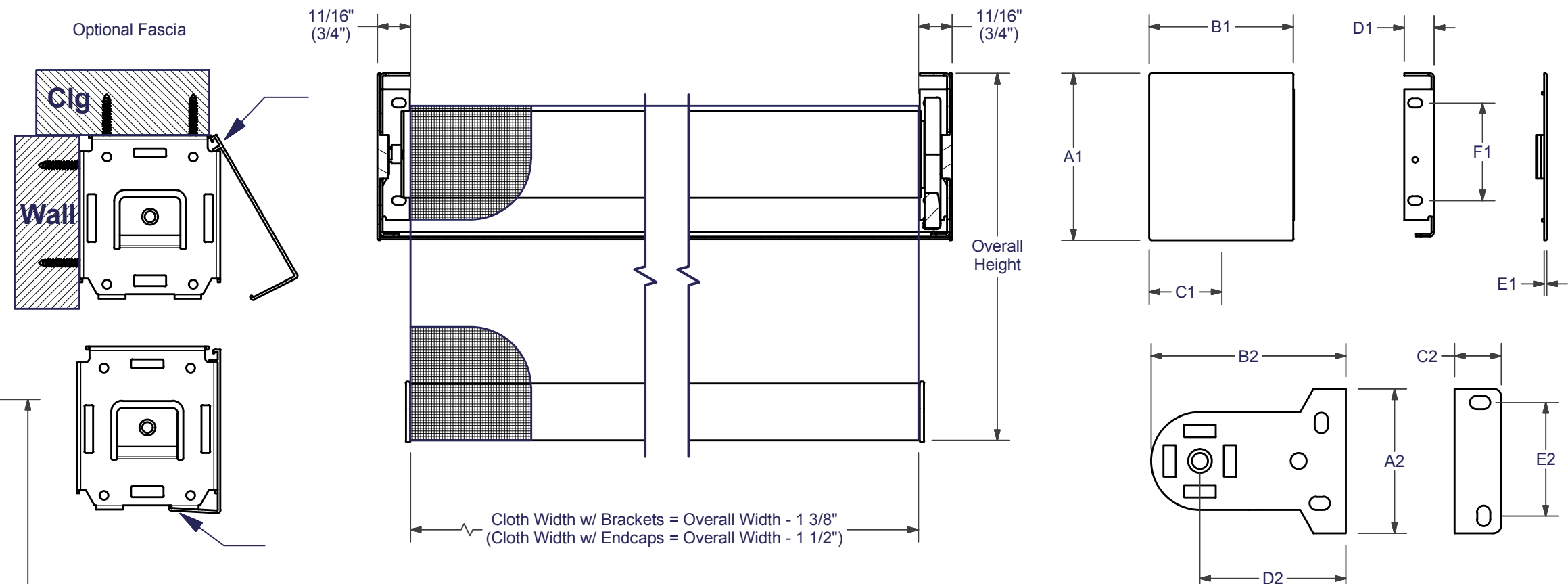


Fascia with Endcaps		Brackets
Small	Large	Large
A1 - 3 7/8"	A1 - 4 5/8"	A2 - 2 3/6"
B1 - 3 3/8"	B1 - 4 5/8"	B2 - 3"
C1 - 1 3/16"	C1 - 1 9/16"	C3 - 11/16"
D1 - 5/8"	D1 - 5/8"	D2 - 2 1/4"
E1 - 1/16"	E1 - 3/32"	E2 - 1 3/4"
F1 = 3"	F1 - 3 1/4"	F2 - N/A
W1 = N/A	W1 = N/A	W1 = 1/2"
W2 = 1/2"	W2 = 1/2"	W2 = 1/4"
W3 = 3/4"	W3 = 5/8"	W3 = 7/8"
W4 = 7/8"	W4 = 1"	W4 = 1 1/8"



Exterior FlexShade - Bead Chain Clutch

DRAPER, Inc., 411 S. Pearl Street, Spiceland, Indiana 47385  
 EMAIL drapercontract@draperinc.com, PH 765-987-7999, FAX 866-637-5611