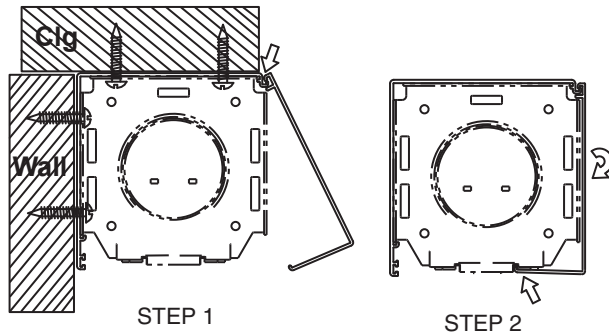


Dims for Headbox*
with Endcaps (Including Endcap covers)

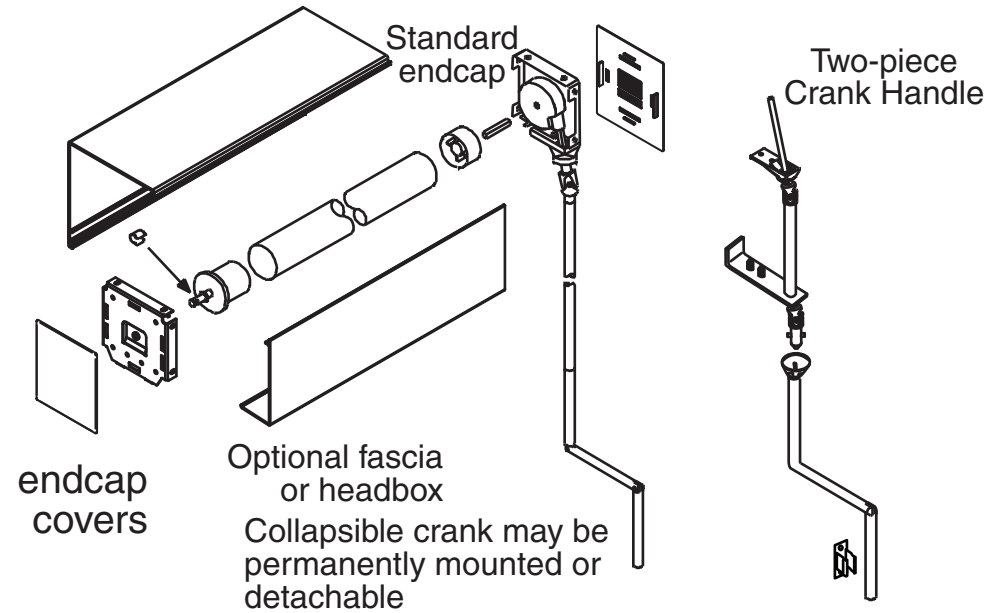
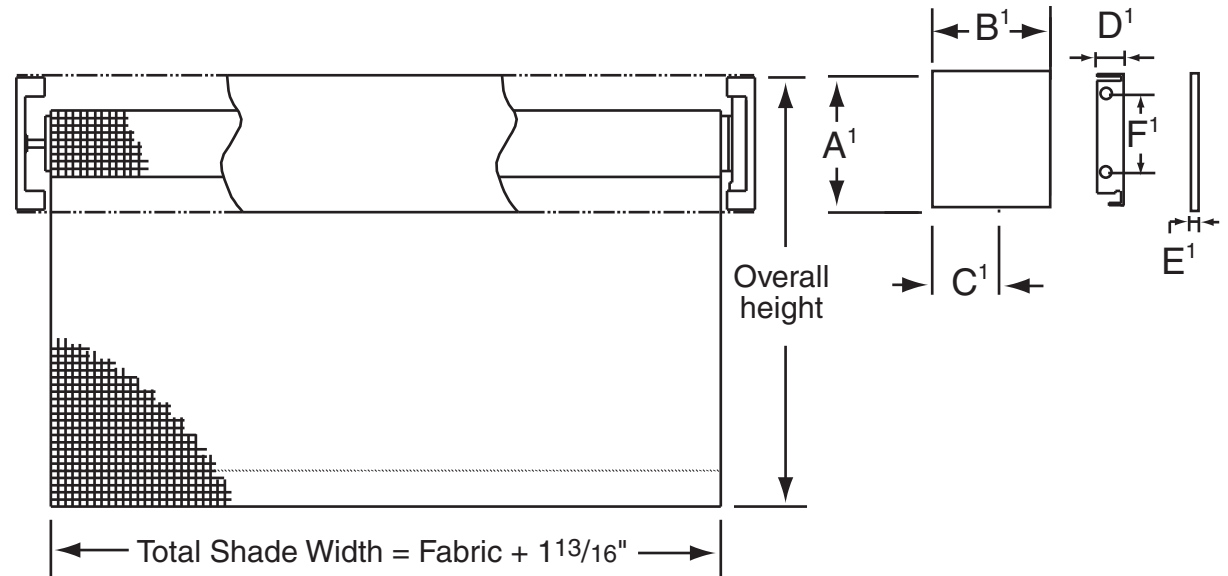
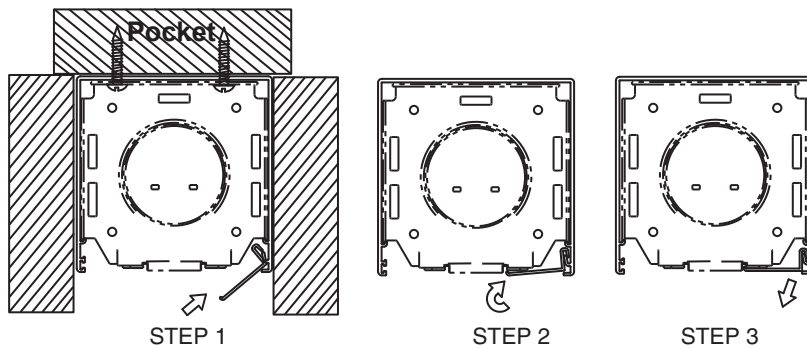
	Small	Large
A ¹	3-15/16"	4-11/16"
B ¹	3-7/16"	4-11/16"
C ¹	1-3/16"	1-9/16"
D ¹	5/8"	5/8"
E ¹	1/16"	3/32"
F ¹	2"	3 3/4"

*For fascia, subtract 1/16" from A¹ & B¹

Optional Surface Headbox
Dims, Installation and Fascia Attachment



Optional Pocket Headbox
Dims, Installation and Fascia Attachment



DRAPER

Crank FlexShade

DRAPER, Inc., 411 S. Pearl Street, Spiceland, Indiana 47385
EMAIL drapercontract@draperinc.com, PH 765-987-7999, FAX 866-637-5611