

# FlexShade® ReCharge

Battery operated shades with Rechargeable Batteries



Please check all appropriate selections and attach room schedule with verified dimensions.

Fabric Series: \_\_\_\_\_

Color name / Number: \_\_\_\_\_

Openness Factor: \_\_\_\_\_

*\*Please see Draper's Shade Fabric Reference Guide for fabric colors and specifications.*

### Select Fabric Orientation

- Regular Roll (from back of roller)
- Reverse Roll (from front of roller)

### Select Hardware

- Brackets
  - Wall
  - Ceiling
- Fascia
- Optional Headbox
  - Ceiling/Wall
  - Pocket Style
  - Custom Headbox
- Optional Type "D" Pocket with Tile Lip
- Optional Type "D" Dual Pocket with Tile Lip

### Select Hardware Finish

- Clear Anodized (standard)
- Black  Ivory
- White  Bronze
- Custom (Contact Draper)

### Select Slat Style

- Closed Pocket - 1" Elliptical (standard)
- Open Pocket - 1" Elliptical
- Small Flat Exposed Hem Bar
- Large Flat Exposed Hem Bar
- Round Exposed Hem Bar
- 13/16" Tube
- None

### Select Motor Location

As seen from INSIDE the room facing the window.  
Also indicate on room schedule.

- Right Side (standard)
- Left Side

### Available Sizes

Please Note: Fabric weight and thickness determine maximum size available.

|        |     | WIDTH |    |    |    |    |    |    |    |     |     |     |     |     |  |
|--------|-----|-------|----|----|----|----|----|----|----|-----|-----|-----|-----|-----|--|
|        |     | 2'    | 3' | 4' | 5' | 6' | 7' | 8' | 9' | 10' | 11' | 12' | 13' | 14' |  |
| HEIGHT | 2'  |       |    |    |    |    |    |    |    |     |     |     |     |     |  |
|        | 3'  |       |    |    |    |    |    |    |    |     |     |     |     |     |  |
|        | 4'  |       |    |    |    |    |    |    |    |     |     |     |     |     |  |
|        | 5'  |       |    |    |    |    |    |    |    |     |     |     |     |     |  |
|        | 6'  |       |    |    |    |    |    |    |    |     |     |     |     |     |  |
|        | 7'  |       |    |    |    |    |    |    |    |     |     |     |     |     |  |
|        | 8'  |       |    |    |    |    |    |    |    |     |     |     |     |     |  |
|        | 9'  |       |    |    |    |    |    |    |    |     |     |     |     |     |  |
|        | 10' |       |    |    |    |    |    |    |    |     |     |     |     |     |  |
|        | 11' |       |    |    |    |    |    |    |    |     |     |     |     |     |  |
|        | 12' |       |    |    |    |    |    |    |    |     |     |     |     |     |  |
|        | 13' |       |    |    |    |    |    |    |    |     |     |     |     |     |  |
|        | 14' |       |    |    |    |    |    |    |    |     |     |     |     |     |  |

### Specifications:

#### Equipment

**Battery Operator:** Drive unit inside roller, instantly reversible, lifetime lubricated. **Right hand motor location standard.** Left hand motor location also available. Limit switches adjustable using wall switch or remote control. Operates on power provided by internal Lithium Ion battery. Rechargeable by 12V power adapter or Solar Recharge Panel. Can be retrofitted to Draper manual shades.

#### Hardware

**Rollers:** Extruded aluminum or steel. Roller assembly easily removable.  
**Mounting Brackets:** 1018 plated steel stamping. Sizes 2<sup>3</sup>/<sub>8</sub>" and 3". Styles for mounting to wall, ceiling, or jamb. Brackets do not require additional adapters.  
**Roller Idler Assembly:** Fiberglass reinforced polyester thermopolymer (PBT), with spring-loaded pin to interlock with mounting bracket.  
**Slat:** Aluminum, min. 1/8" x 1", encased in heat sealed hem.  
**Endcaps:** 1018 steel stamping. 2 sizes: 3<sup>1</sup>/<sub>4</sub>" x 3<sup>3</sup>/<sub>4</sub>" and 4<sup>1</sup>/<sub>2</sub>" x 4<sup>1</sup>/<sub>2</sub>". Complete with adapter roller bracket. Installs to face, ceiling, or jamb. Accepts box covers and fabric guide.  
**Endcap Covers:** Plastic covers snap onto endcaps. Available in ivory, bronze, black or white to match fascia.  
**Fascia:** L-shaped or radius cover of extruded aluminum, .060 wall. Assembly snaps onto endcaps without exposed fasteners. Radius fascia on small hardware only-not available on large fascia or crank-operated shades. **Clear anodized (standard)** finish or black, white, ivory or bronze powder coat finish.  
**Headbox:** Standard consists of fascia, L-shaped back/top cover. Assembly snaps onto endcaps. Optional, for pocket installation, includes a U-shaped back/top/front cover with removable bottom closure panel. Small size: 3<sup>7</sup>/<sub>16</sub>" x 3<sup>15</sup>/<sub>16</sub>". Large size: 4<sup>11</sup>/<sub>16</sub>" x 4<sup>11</sup>/<sub>16</sub>". Some exposed fasteners required. **Clear anodized (standard)** finish or black, white, ivory or bronze powder coat finish.  
**Type D Pocket:** Type D Shade Pocket, to be fabricated of metal for perimeter installation. Accepts FlexShades installed with ceiling brackets. Finished in white paint. 5" x 5<sup>3</sup>/<sub>8</sub>" x .125" with 7/8" tile support lip and removable bottom closure. Dual pocket 9<sup>1</sup>/<sub>2</sub>" x 5<sup>3</sup>/<sub>8</sub>" x .125" with 7/8" tile support lip and removable bottom closure.

Patent information available at <http://www.draperinc.com/legal/patents/>

Downloadable 3-part specifications are available at [www.draperinc.com](http://www.draperinc.com).

#### Please note:

Dimensions of rollers, operators and hardware at manufacturer's discretion.



PROJECT: \_\_\_\_\_

ARCHITECT: \_\_\_\_\_

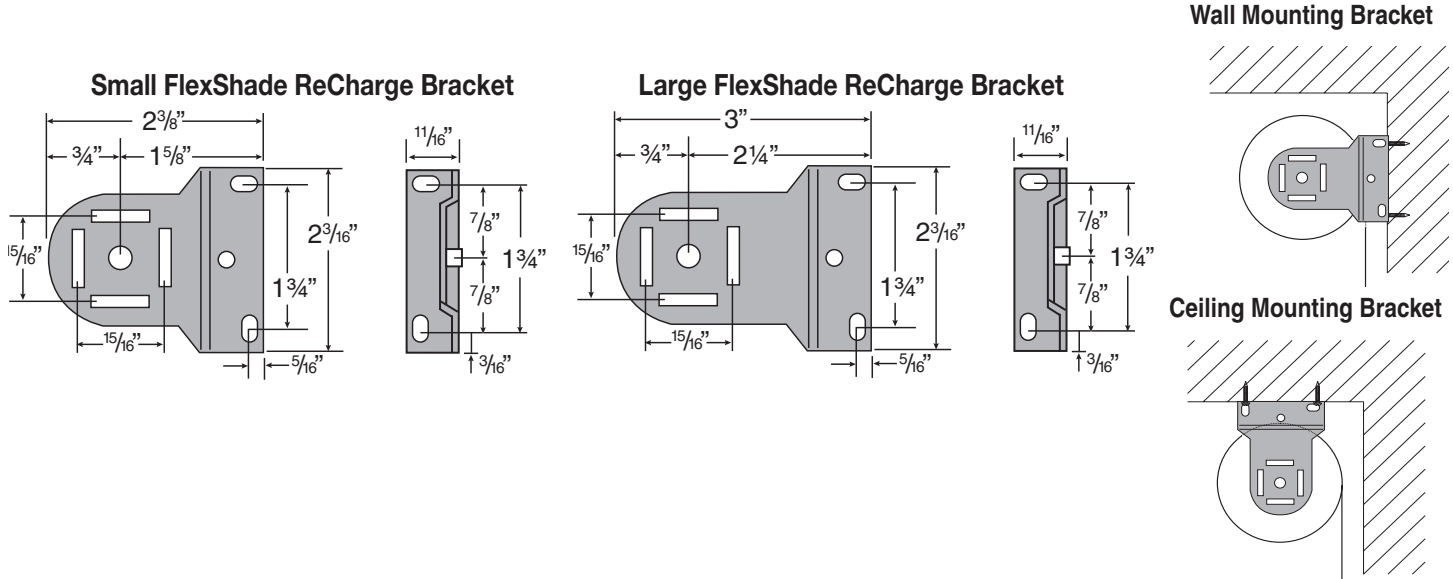
CONTRACTOR: \_\_\_\_\_

SUPPLIER: \_\_\_\_\_

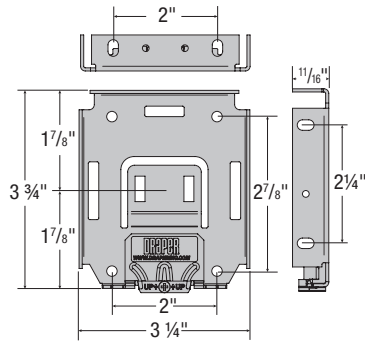
DATE: \_\_\_\_\_ REVISED: \_\_\_\_\_

## Hardware Selections

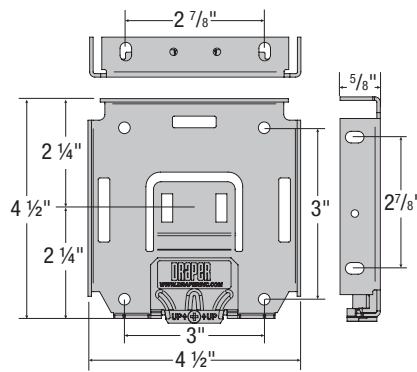
Note: Brackets and endcaps have the only attachment points for mounting a FlexShade ReCharge. Optional fascia and headbox have a thickness of 1/16".



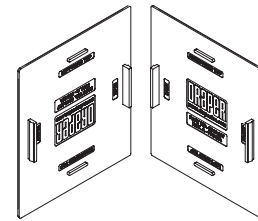
## Small FlexShade ReCharge Endcap



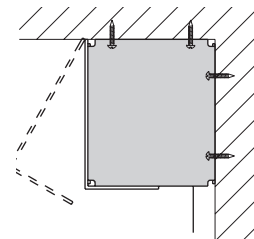
## Large FlexShade ReCharge Endcap



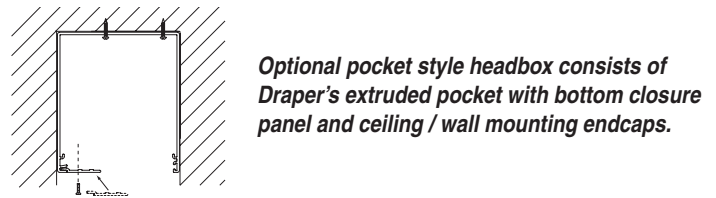
## Endcap Covers



## Fascia Only with Ceiling or Wall Mounting Endcaps



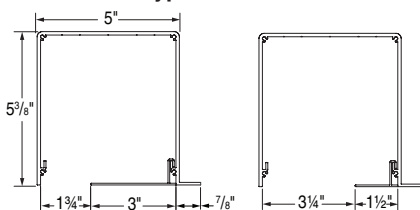
## Headbox Installation Options



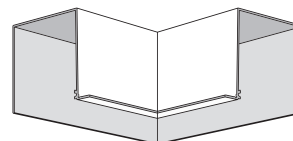
## Pocket Options

**Type D** pocket, white in color, features a 5" x 5 3/8" cross-section. A lip along lower edge supports lay-in ceiling. Pre-welded corners and pocket ends are available. Ends come with or without tile support lip (shown).

### Type D Pocket



### Typical pre-welded corner section (not to scale)



**FlexShade ReCharge Dimensions**

*(Fascia Overall Width includes plastic endcap covers) (Pair adds 1/8" to Overall Width)*

