

VCB Ultimate Access/ Series E



Motorized Trap Door
Opens into Case

by **DRAPER**

Specifications—Ultimate Access/Series E

_____ projection screens, size _____ h. x _____ w., for recessed ceiling mounting. Electrically operated 60 Hz., 110-120 v AC, 5-wire motor mounted inside screen roller, instantly reversible, lifetime lubricated, with internal thermal overload protector and electric brake with preset limits. Case finished white. Case is constructed of steel, except side trim flanges and access door are aluminum. Endcaps are stamped steel. Bottom of case consists of an independently motorized trap door that opens up inside the screen case. The trap door and the access door both hinge downward to allow access to inside of screen case. The doors remain attached to the screen case via a concealed full-length hinge. Releasing latches at the center and each end of screen case allows the doors to hinge downward and a prop arm at each end may be pivoted to engage with endcaps, keeping the door assembly in its fully open position. Internal junction box allows case to be installed and pre-wired to building supply. Junction box to have two plug-in style connectors, mating with connectors from motorized roller/fabric assembly and motorized door assembly. Case flange to trim edges of ceiling opening. Case may be mounted with 3/8" threaded rod through mounting brackets. Mounting brackets slide in 18" long channels on top of case, allowing brackets to be moved to avoid interference with conflicting building structures. Brackets must be locked in position by tightening screws. Brackets may also be angled to meet installation requirements.

Please Mark Appropriate Selections

Select Background:

- Printed (You will be required to provide additional information, including artwork, properly sized and 150 dpi. Please contact Draper)
- Neutral
- Canvas Chalk Charcoal Khaki
- Linen Pewter Marine Slate
- Chroma Key
- Blue
- Green

Select Motor and Controls:

Standard Voltage Motor and Control Options:

- 110-120V AC (standard)
- Optional Quiet Motor ¹

Please Note: These motors come with one 110V-120V AC 3-position wall switch (silver wall plate with black rocker)

- _____ Total number of 110-120V AC switches (operate independently)
- Substitute white switch(es) for silver wall plate with black rocker
- Optional Key Operated Switch
- Power Supply Key Switch (On-off)
- 3-Position Key Control
- 3-Position Switch with Hinged Key-Locking Coverplate

Low Voltage Motor and Control Options:

- Optional External LVC-IV Low Voltage Control Module
- Please Note: Select Control Options for Low Voltage from below.
- 24 Volt 3-Button Switch Number of 24V switches: _____
- Radio Frequency Remote Control (only with 24v)
- Infrared Remote Control (only with 24v)
- Optional Key Operated Switch
- Power Supply Key Switch (On-off)
- 3-Position Switch with Hinged Key-Locking Coverplate

Select Motor Location:

- Left end (standard)
- Right end

Optional Accessories:

- Additional set of mounting brackets for alternate mounting (see page 2)

Roller/fabric assembly may be installed in case at factory or job site. Brackets supporting roller/fabric assembly to slide in track inside top of case, allowing viewing surface to be centered in case regardless of screen size. Roller of 3" nominal dia. metal. 3-position control switch to stop or reverse screen at any point. Switch (es) furnished with cover plate.

Viewing surface to be flame and mildew resistant. Bottom of viewing surface enclosed in dowel. Matt White XT1000E and Contrast Grey XH800E viewing surfaces are certified to GREENGUARD standards for low chemical emissions into indoor air during product usage. For more information, visit ul.com/gg. Note: Matt White XT1000E surfaces up to 10' high will be seamless. 3-position control switch to stop or reverse screen at any point. Switch(es) furnished with cover plate.

Patented by Draper, Inc. For more information, visit <http://www.draperinc.com/legal/patents/>. Entire unit certified by Underwriters' Laboratories, Inc. for the U.S. and Canada. Plenum rated case (UL approved "Suitable for Use in Environmental Air Space").

Downloadable 3-part specifications are available at www.draperinc.com. Specifications subject to change without notice.

Dimensions and Data

Size H x W (inches)	Size H x W (cm)	Case Length (inches)	Case Length (cm)	Net Weight (lbs)	Net Weight (kg)	Qty
96" x 70"	244 x 178	84½"	215	94	43	
108" x 70"	274 x 178	84½"	215	95	43	
120" x 70"	305 x 178	84½"	215	96	44	
132" x 70"	335 x 178	84½"	215	97	44	
144" x 70"	366 x 178	84½"	215	98	45	
96" x 84"	244 x 213	98½"	249	115	52	
108" x 84"	274 x 213	98½"	249	116	53	
120" x 84"	305 x 213	98½"	249	117	53	
132" x 84"	335 x 213	98½"	249	118	54	
144" x 84"	366 x 213	98½"	249	119	54	
96" x 96"	244 x 244	111"	282	141	64	
108" x 96"	274 x 244	111"	282	142	65	
120" x 96"	305 x 244	111"	282	143	65	
132" x 96"	335 x 244	111"	282	144	66	
144" x 96"	366 x 244	111"	282	145	66	
96" x 108"	244 x 274	123"	312	148	67	
108" x 108"	274 x 274	123"	312	149	68	
120" x 108"	305 x 274	123"	312	150	68	
132" x 108"	335 x 274	123"	312	150	68	
144" x 108"	366 x 274	123"	312	151	69	
96" x 120"	244 x 305	135"	343	151	69	
108" x 120"	274 x 305	135"	343	152	69	
120" x 120"	305 x 305	135"	343	153	70	
132" x 120"	335 x 305	135"	343	154	70	
144" x 120"	366 x 305	135"	343	155	71	
96" x 144"	244 x 366	159"	404	172	78	
108" x 144"	274 x 366	159"	404	173	78	
120" x 144"	305 x 366	159"	404	174	79	
132" x 144"	335 x 366	159"	404	175	79	
144" x 144"	366 x 366	159"	404	176	80	

PROJECT: _____

ARCHITECT: _____

CONTRACTOR: _____

SUPPLIER: _____

DATE: _____ REVISED: _____

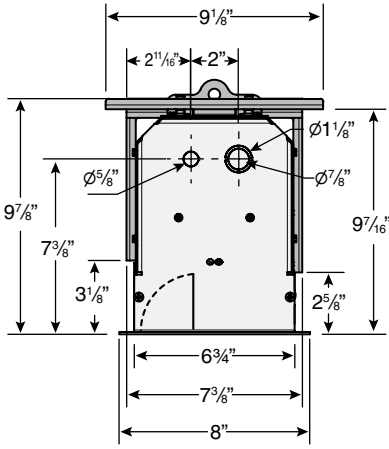


411 S. Pearl St., Spiceland, IN 47385 USA ■ 765-987-7999

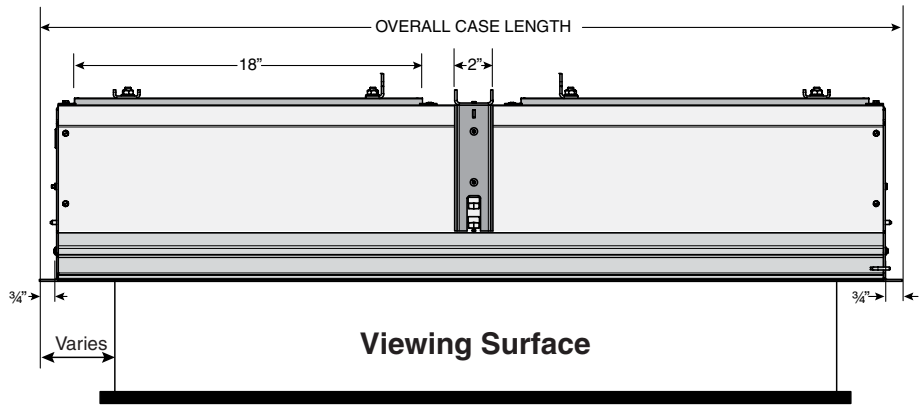
www.draperinc.com ■ fax 765-987-7142

Copyright © 2016 Draper Inc. Form VCBUltimateAccessE_Sub16

Printed in U.S.A.

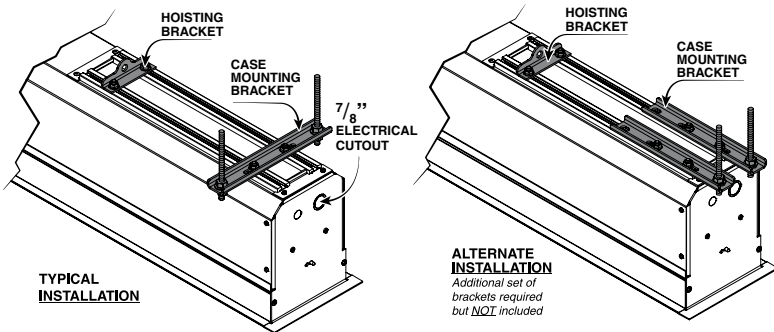


Standard Motor Wiring is on the AUDIENCE LEFT END of Ultimate Access Case.



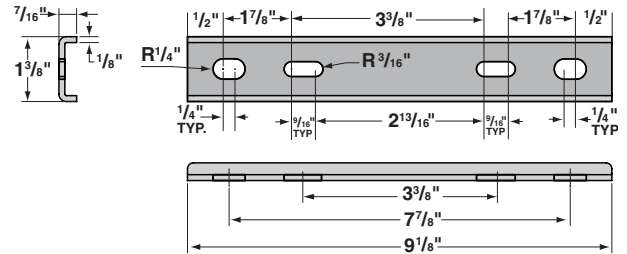
For ceiling cutout subtract 1/2" from case length and width (measured from outer edge of flanges).

Installation Options¹



¹With typical installation, brackets may be angled to meet installation requirements.

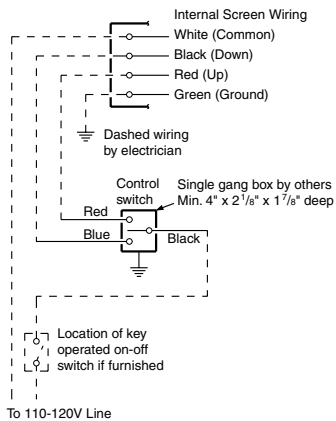
Mounting Brackets Dimensions



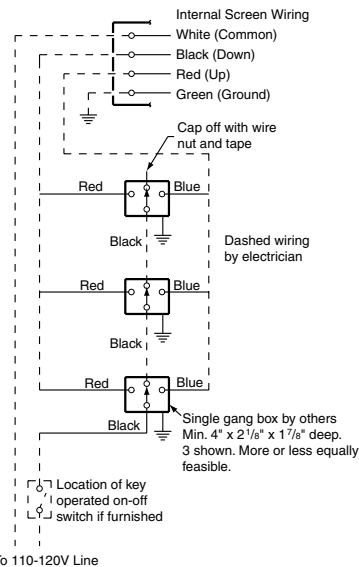
Wiring Diagrams²

110-120V Motor and Quiet Motor

Single Station Control



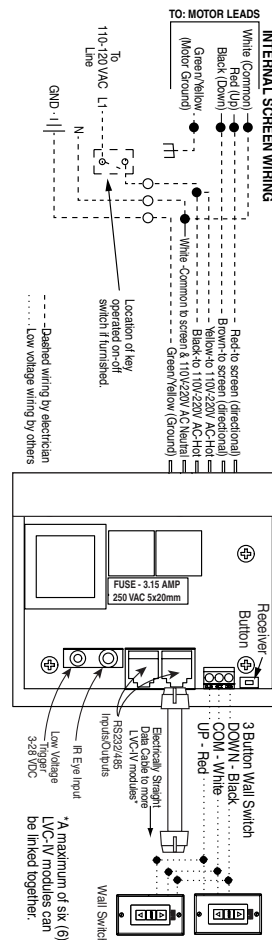
Multiple Station Control



² For more information and wiring diagrams for serial and network communication, please see wiring diagrams supplied with individual items.

PROJECT: _____
 SUPPLIER: _____
 DATE: _____ REVISED: _____

Please Note: For serial (LVC-IV) and network (LVC-IV & LS100) wiring diagrams, please consult instructions for those modules.



External LVC-IV - Single or Multiple Projection Screen Wiring Diagram

Low Voltage, IR Remote, RF Remote, Serial or Network Control (LVC-IV)