

VCB Traveller

Portable Video

Conferencing Background by

DRAPER

Specifications—VCB Traveller

_____ video conferencing backgrounds, size _____ h. x _____ w., wall/ceiling mounting. Case of extruded aluminum, with black powder coat finish. Built-in carrying handle. Shoulder carrying strap also included. Spring-roller operation. Telescoping support twist locks to position screen at desired height. Warranted for one year against defects in materials and workmanship. Specifications subject to change without notice.

Please Mark Appropriate Selections

Select Background:

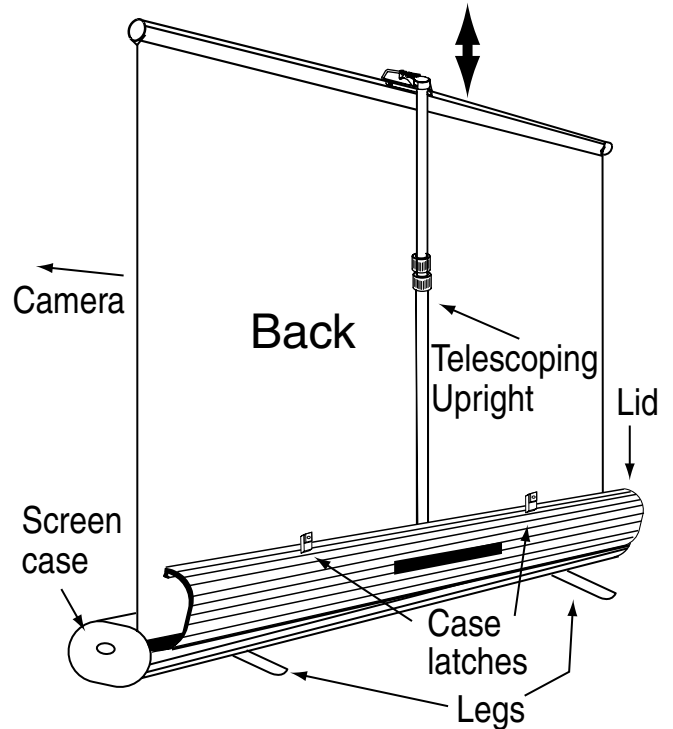
- Printed (You will be required to provide additional information, including artwork, properly sized and 150 dpi. Please contact Draper)
- Chroma Key
 - Blue
 - Green

Optional Accessories:

- Padded Carrying Case

Dimensions & Data

Size	Size	Case	Case	Net Wt.	Net Wt.	
H x W (in)	HxW (cm)	Length (in)	Length (cm)	(lbs)	(kg)	Qty
92½" x 59½"	231 x 151	66"	168	22	10	
92½" x 65½"	235 x 166	72"	183	23	10.4	
92½" x 81½"	235 x 207	88"	224	24	11	



DRAPER

411 S. Pearl St., Spiceland, IN 47385 USA ■ 765-987-7999
 www.draperinc.com ■ fax 765-987-7142
 Copyright © 2016 Draper Inc. Form VCBTraveller_Sub16 Printed in U.S.A.

PROJECT: _____

ARCHITECT: _____

CONTRACTOR: _____

SUPPLIER: _____

DATE: _____ REVISED: _____