

VCB Silhouette/ Series M

Manual Video Conferencing Background
with revolutionary case design

by DRAPER

Specifications—VCB Silhouette/Series M

_____ video conferencing backgrounds, size _____
h. x _____ w., wall or ceiling mounting. Case free of exposed fasteners. Back and top of extruded aluminum in L-shaped section; front in a contoured shape. Endcaps die-cast, of rounded design, flush with case contour. Front section easily removable for access to operator and background. Viewing surface mounted to one-piece rigid steel roller. Bottom of background enclosed in dowel; dowel to disappear inside case when retracted.

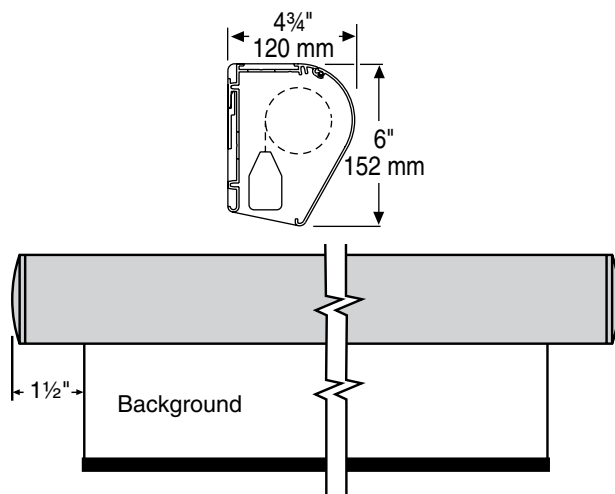
Entire unit patented by Draper, Inc. (U.S. Patent Nos. 6,111,694 and 5,296,964).

Specifications subject to change without notice.

Dimensions & Data

Size H x W (inches)	Size H x W (cm)	Case Length (inches)	Case Length (cm)	Net Weight (lbs)	Net Weight (kg)	Quantity
70" x 70"	178 x 178	72½"	184	26	12	
84" x 70"	213 x 178	72½"	184	27	12	
96" x 70"	244 x 178	72½"	184	28	13	
70" x 84"	178 x 213	86½"	220	30	14	
84" x 84"	213 x 213	86½"	220	31	14	
96" x 84"	244 x 213	86½"	220	32	15	
70" x 96"	178 x 244	99"	249	34	15	
84" x 96"	213 x 244	99"	249	36	16	
96" x 96"	244 x 244	99"	249	37	17	

Case Dimensions



Please Mark Appropriate Selections

Select Background:

- Printed (You will be required to provide additional information, including artwork, properly sized and 150 dpi. Please contact Draper)
- Chroma Key
 - Blue
 - Green

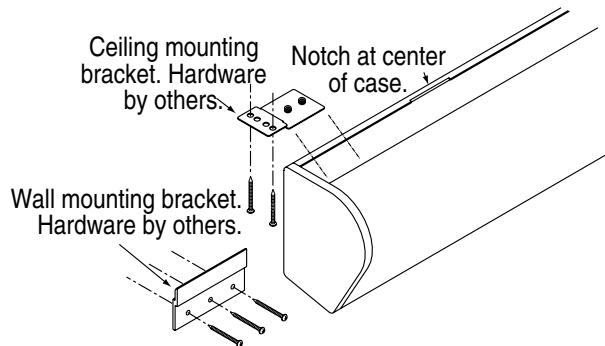
Select Case Color:

- White (standard)
- Black
- Grey

Select Mounting Method:

- Wall ("Z" Clips supplied)
- Ceiling (Ceiling bracket supplied)
- Extended Wall (Must be specified now and at time of order)
 - 6" (152 mm) Bracket
 - 10"-14" (254-508 mm) Bracket

Methods of Installation



DRAPER

411 S. Pearl St., Spiceland, IN 47385 USA ■ 765-987-7999

www.draperinc.com ■ fax 765-987-7142

Copyright © 2016 Draper Inc.

Form VCBSilhouetteM_Sub16

Printed in U.S.A.

PROJECT: _____

ARCHITECT: _____

CONTRACTOR: _____

SUPPLIER: _____

DATE: _____ REVISED: _____