

VCB Luma 2

Heavy Duty Spring Roller Operated
Video Conferencing Background

by DRAPER

Specifications—VCB Luma 2

_____ video conferencing backgrounds, size _____
h. x _____ w., wall/ceiling mounting. Case of 22 ga.
steel, flat back design, with scratch-resistant white polyester finish. Friction-
free closure. Endcaps, finished to match case, to have integral roller brackets.
Endcaps to form universal mounting brackets. Background mounted on a 1 3/4"
(44 mm), 2 1/4" (57 mm), or 3" (76 mm) dia. rigid steel roller, depending on
background size. Bottom of background forms a pocket for the dowel. Saddle
and pull attached by screws.
Specifications subject to change without notice.

Please Mark Appropriate Selections Select Background:

- Printed (You will be required to provide additional information, including artwork, properly sized and 150 dpi. Please contact Draper)
- Chroma Key
 - Blue
 - Green

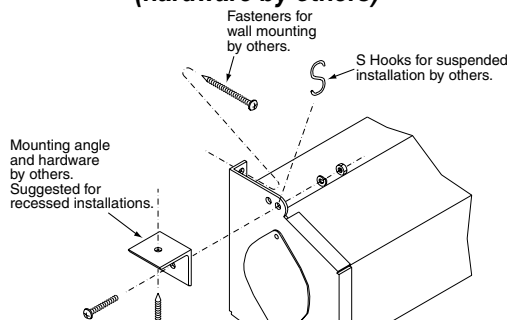
Optional Accessories:

- Mounting Brackets
 - 6" (152 mm) Bracket
 - 10"-14" (254-508 mm) Bracket (8' [244 cm] wide limit)
 - Adjustable Bracket (8' [244 cm] wide limit)
- Optional Floating Mounting Brackets (for wall and ceiling)
- Aluminum Operating Pole
 - 4' (122 cm) long
 - 6' (183 cm) long

Dimensions & Data

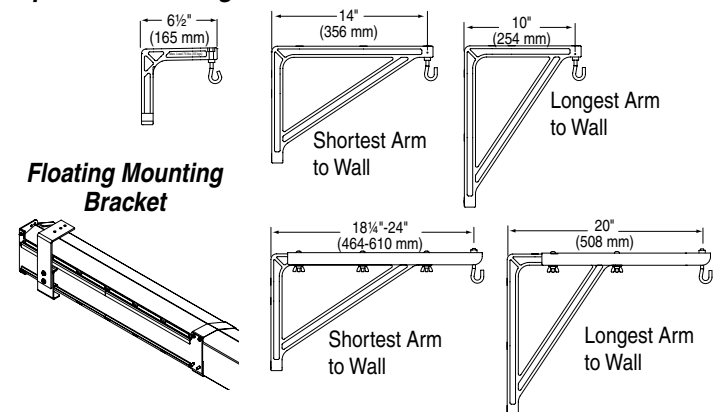
Size H x W (inches)	Size H x W (cm)	Case Length (inches)	Case Length (cm)	Net Weight (lbs.)	Net Weight (kg)	Qty
96" x 70"	244 x 178	72 1/2"	184	32	15	
108" x 70"	274 x 178	72 1/2"	184	36	16	
120" x 70"	305 x 178	72 1/2"	184	37	17	
132" x 70"	335 x 178	72 1/2"	184	38	17	
144" x 70"	366 x 178	72 1/2"	184	39	18	
96" x 84"	244 x 213	86 1/2"	220	36	16	
108" x 84"	274 x 213	86 1/2"	220	37	17	
120" x 84"	305 x 213	86 1/2"	220	38	17	
132" x 84"	335 x 213	86 1/2"	220	39	18	
144" x 84"	366 x 213	86 1/2"	220	40	18	
96" x 96"	244 x 244	98 5/8"	250	38	17	
108" x 96"	274 x 244	98 5/8"	250	39	18	
120" x 96"	305 x 244	98 5/8"	250	40	18	
132" x 96"	335 x 244	98 5/8"	250	41	19	
144" x 96"	366 x 244	98 5/8"	250	42	19	
96" x 108"	244 x 274	111 1/4"	283	42	19	
108" x 108"	274 x 274	111 1/4"	283	43	20	
120" x 108"	305 x 274	111 1/4"	283	44	20	
132" x 108"	335 x 274	111 1/4"	283	45	20	
144" x 108"	366 x 274	111 1/4"	283	46	21	
96" x 120"	244 x 305	123 1/4"	313	48	22	
108" x 120"	274 x 305	123 1/4"	313	49	22	
120" x 120"	305 x 305	123 1/4"	313	50	23	
132" x 120"	335 x 305	123 1/4"	313	51	23	
144" x 120"	366 x 305	123 1/4"	313	52	23	
96" x 144"	244 x 366	147 1/4"	374	61	28	
108" x 144"	274 x 366	147 1/4"	374	63	29	
120" x 144"	305 x 366	147 1/4"	374	65	30	
132" x 144"	335 x 366	147 1/4"	374	67	31	
144" x 144"	366 x 366	147 1/4"	374	69	32	

Methods of Installation (hardware by others)



Please Note: If using "S" Hooks, for added safety, crimp both ends of the "S" hooks so the screen cannot come off.

Optional Mounting Brackets



DRAPER

411 S. Pearl St., Spiceland, IN 47385 USA ■ 765-987-7999
www.draperinc.com ■ fax 765-987-7142
Copyright © 2016 Draper Inc. Form VCB Luma 2_Sub16 Printed in U.S.A.

PROJECT: _____

ARCHITECT: _____

CONTRACTOR: _____

SUPPLIER: _____

DATE: _____ REVISED: _____