

# Artisan/Series M

## Specifications—VCB Artisan/Series M

\_\_\_\_\_ video conferences, size \_\_\_\_\_ h.  
 x \_\_\_\_\_ w, wall or ceiling mounting.  
 Case to be of select quality hardwood and styling, free of exposed screw heads. ALTERNATE: Case to be of 7/16" (11 mm) particleboard, 45 lb. (21 kg) density, covered with high pressure laminate, styling rectilinear.  
 Backgrounds mounted to one-piece rigid steel roller. Bottom of viewing surface to be doublestitch hemmed around 7/8" (22 mm) steel dowel.  
 Specifications subject to change without notice.

### Please Mark Appropriate Selections

#### Select Background:

- Printed (You will be required to provide additional information, including artwork, properly sized and 150 dpi. Please contact Draper)
- Chroma Key
  - Blue
  - Green

#### Select Case Style:

- Traditional (Hardwood only)
- Rectilinear (Hardwood or plastic laminate)
- Radius (Hardwood only)
- Bevel (Hardwood only; add 1 1/8" to case height)

#### Select Case Finish:

##### Solid Hardwood

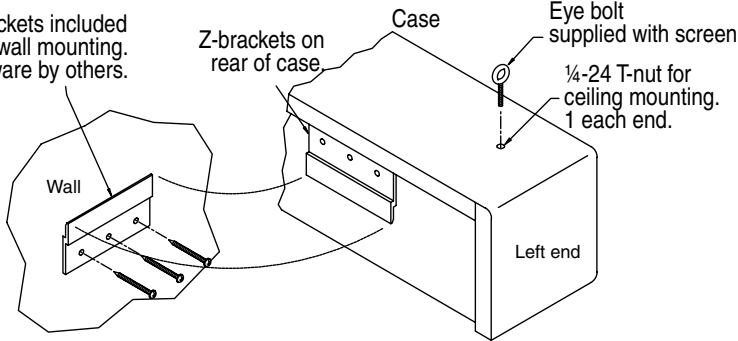
- Light Oak
- Medium Oak
- Natural Maple
- Natural Cherry
- Medium Cherry
- Walnut
- Mahogany

##### Plastic Laminates

- Burgundy
- Dove Grey
- Beige
- Black
- White

### Methods of Installation

Z-brackets included for wall mounting. Hardware by others.



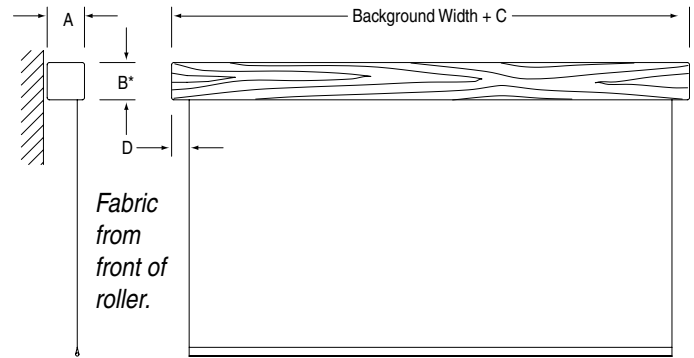
## Video Conferencing Backgrounds in Solid Hardwood Cases

by **DRAPER**

### Dimensions and Data

Size H x W (inches)	Size H x W (cm)	Case Length (inches)	Case Length (cm)	Net Weight (lbs)	Net Weight (kg)	Quantity
70" x 70"	178 x 178	73"	186	18	8	
84" x 70"	213 x 178	73"	186	19	9	
96" x 70"	244 x 178	73"	186	20	9	
70" x 84"	178 x 213	88"	224	25	11	
84" x 84"	213 x 213	88"	224	26	12	
96" x 84"	244 x 213	88"	224	27	12	
70" x 96"	178 x 244	100"	254	28	13	
84" x 96"	213 x 244	100"	254	29	13	
96" x 96"	244 x 244	100"	254	30	14	

### Case Dimensions



	A	B <sup>2</sup>	C	D
Through 70"x70"	3 1/2"	3 1/2"	3"	1 1/2"
Over 70"x70"	4 1/4"	4 1/4"	4"	2"

<sup>2</sup>NOTE: Bevel style increases case height by 1 1/8"

	A	B <sup>2</sup>	C	D
Through 178 x 178 mm	89 mm	89 mm	76 mm	38 mm
Over 178 x 178 mm	114 mm	114 mm	102 mm	51 mm

<sup>2</sup>NOTE: Bevel style increases case height by 29 mm

**DRAPER**

411 S. Pearl St., Spiceland, IN 47385 USA ■ 765-987-7999  
 www.draperinc.com ■ fax 765-987-7142

Copyright © 2016 Draper Inc.

Form VCBArtisanM\_Sub16

Printed in U.S.A.

PROJECT: \_\_\_\_\_

ARCHITECT: \_\_\_\_\_

CONTRACTOR: \_\_\_\_\_

SUPPLIER: \_\_\_\_\_

DATE: \_\_\_\_\_ REVISED: \_\_\_\_\_

