

VCB Access E

Ceiling recess case now. Install background/roller assembly later at job site

SUBMITTAL

TECHNICAL INFO

Specifications *Please check all appropriate selections and attach room schedule with verified dimensions.*

_____ video conferencing backgrounds, size _____ h. x _____ w., recessed ceiling mounting. Case back, top, and front constructed of steel. Endcaps are steel. Bottom panel forms slot for passage of viewing surface, easily removable for access. Symmetrical housing to allow for left or right-hand motor location, and for viewing surface to unroll from the back or front of the roller. Case to include bottom flange for trim around edges of ceiling opening. Case may be mounted with $\frac{3}{8}$ " threaded rod, with lag screws through brackets, or with wire in a grid ceiling. Mounting brackets slide in 18" long channels on top of case, allowing brackets to be moved to avoid interference with conflicting building structures. Brackets may be locked in position by tightening screws. Brackets may also be adjusted to meet installation requirements.



Roller/background assembly may be installed in case at factory or job site. Brackets supporting roller/background assembly to slide in track inside top of case, allowing viewing surface to be centered in case regardless of size. Roller of 3" (76 mm) dia. metal. Electrically operated 110-120V AC, 60 Hz. 3-wire motor mounted inside screen roller, 1.1 amp current draw, instantly reversible, lifetime lubricated, with internal thermal overload protector and electric brake, standard motor with preset accessible switches. Optional Quiet Motor operates at 44 Db (motor noise is approximately 30% less than standard tubular motors). Housing to feature internal junction box, allowing it to be installed and wired to building supply wires at an early stage of construction. Junction box to have plug-in style connector, accepting the mating half of the connector from the motorized roller/background assembly. 3-position control switch (or switches—specify number) to stop or reverse unit at any point. Switch(es) furnished with coverplate. Patented by Draper, Inc. (U.S. Patent Nos. 6,137,629; 6,421,175; 6,532,109; 6,816,308; 7,559,707).

Entire unit certified by Underwriters' Laboratories for the U.S. and Canada. Plenum rated case (UL approved "Suitable for Use in Environmental Air Space").

Specifications subject to change without notice.

Dimensions & Data

Size H x W (inches)	Size H x W (cm)	Case Length (inches)	Case Length (cm)	Net Weight (lbs.)	Net Weight (kg)	Qty
AV Format						
96" x 70"	244 x 178	76½"	194	37	17	
108" x 70"	274 x 178	76½"	194	38	17	
120" x 70"	305 x 178	76½"	194	39	18	
132" x 70"	335 x 178	76½"	194	40	18	
144" x 70"	366 x 178	76½"	194	41	19	
96" x 84"	244 x 213	90½"	230	37	17	
108" x 84"	274 x 213	90½"	230	38	17	
120" x 84"	305 x 213	90½"	230	39	18	
132" x 84"	335 x 213	90½"	230	40	18	
144" x 84"	366 x 213	90½"	230	41	19	
96" x 96"	244 x 244	103"	262	45	21	
108" x 96"	274 x 244	103"	262	46	21	
120" x 96"	305 x 244	103"	262	46	21	
132" x 96"	335 x 244	103"	262	48	22	
144" x 96"	366 x 244	103"	262	49	22	
96" x 108"	244 x 274	115"	292	50	23	
108" x 108"	274 x 274	115"	292	51	23	
120" x 108"	305 x 274	115"	292	52	24	
132" x 108"	335 x 274	115"	292	53	24	
144" x 108"	366 x 274	115"	292	54	25	
96" x 120"	244 x 305	127"	323	61	28	
108" x 120"	274 x 305	127"	323	62	28	
120" x 120"	305 x 305	127"	323	63	29	
132" x 120"	335 x 305	127"	323	64	29	
144" x 120"	366 x 305	127"	323	65	30	
96" x 144"	244 x 366	151"	384	70	30	
108" x 144"	274 x 366	151"	384	71	32	
120" x 144"	305 x 366	151"	384	72	32	
132" x 144"	335 x 366	151"	384	73	33	
144" x 144"	366 x 366	151"	384	74	33	
Custom Size						

Select Shipping Option:

- Case Now, Screen Assembly Later ¹
- Complete Unit Now

Select Background:

- Printed (You will be required to provide additional information, including artwork, properly sized and 150 dpi. Please contact Draper.)
- Neutral
 - Canvas Chalk
 - Charcoal
 - Khaki
 - Linen
- Chroma Key
 - Pewter
 - Marine
 - Slate
- Green

Select Motor and Controls:

Standard Voltage Motor and Control Options:

- 110-120V AC (standard)
- Optional Quiet Motor ²

Please Note: These motors come with one 110V-120V AC 3-position wall switch (silver wall plate with black rocker)

- Total number of 110-120V AC switches (operate independently): _____
- Substitute white switch(es) for silver wall plate with black rocker
 - Optional Key Operated Switch:
 - Power Supply Key Switch (On-off)
 - 3-Position Key Control
 - 3-Position Switch with Hinged Key-Locking Coverplate

Low Voltage Motor and Control Options:

- Internal LVC-IV (Low Voltage Control Module)
- External LVC-IV (Low Voltage Control Module)
- Motor with Built-In Low Voltage Controller³
- Quiet Motor² with Built-In Low Voltage Controller^{1,3}

Please Note: Select Control Options for Low Voltage from below.

- 24 Volt 3-Button Switch Number of 24V switches: _____
- Radio Frequency Remote Control (only with 24v)
- Infrared Remote Control (only with 24v)
- Optional Key Operated Switch
 - Power Supply Key Switch (On-off)
 - 3-Position Switch with Hinged Key-Locking Coverplate

Select Motor Location:

- Left end (standard)
- Right end

Optional Accessories:

- Additional set of mounting brackets for alternate mounting (see page 2)

¹ Please note: When ordering a motor with built-in Low Voltage Controller, if the case ships separate from the "guts," the case includes the 25' cable and special low voltage switch.

² Quiet Motor Size Limitations							
AV (INCHES)	AV (CM)	NTSC (INCHES)	NTSC (CM)	HDTV (INCHES)	HDTV (CM)	16:10 (INCHES)	16:10 (CM)
108" x 144"	274 x 366	180"	457	184"	467	165"	419

³ Quiet Motor with Built-in Low Voltage Controller Size Limitations							
AV (INCHES)	AV (CM)	NTSC (INCHES)	NTSC (CM)	HDTV (INCHES)	HDTV (CM)	16:10 (INCHES)	16:10 (CM)
144" x 144"	366 x 366	200"	508	184"	467	189"	480



Draper, Inc. | 411 S. Pearl St. Spiceland, IN 47385
draperinc.com | 765.987.7999 | 800.238.7999

© 2018 All Rights Reserved | FORM: VCBAccessE_In_Sub18

PROJECT: _____

ARCHITECT: _____

CONTRACTOR: _____

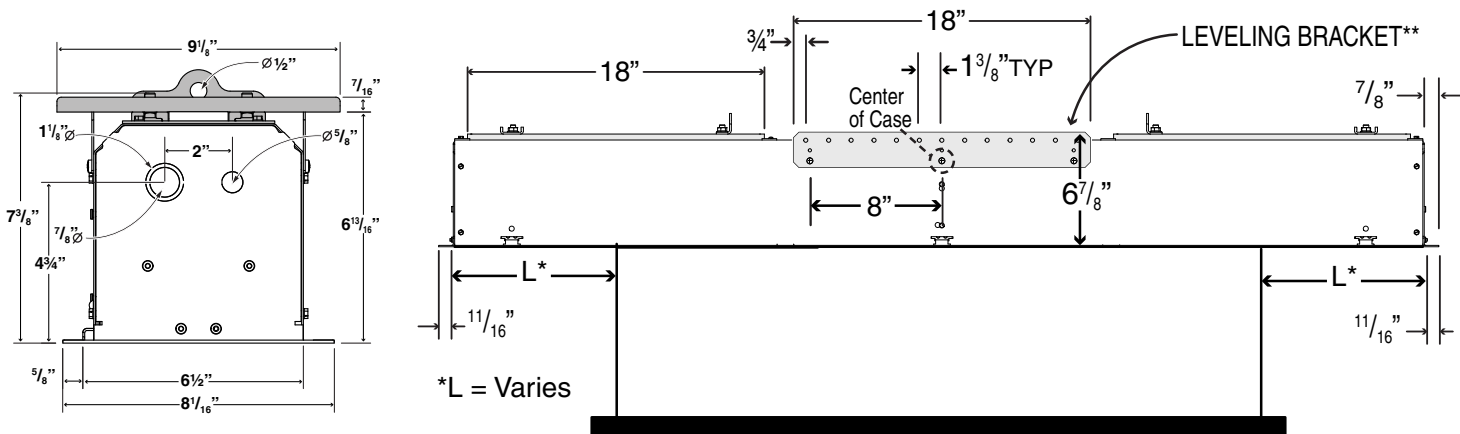
SUPPLIER: _____

DATE: _____ REVISED: _____

VCB Access E

Ceiling recess case now. Install background/roller assembly later at job site

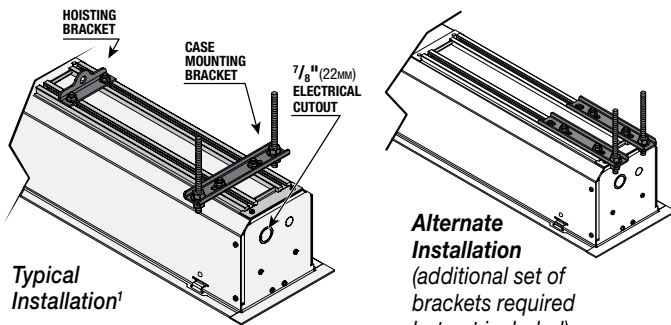
Case Dimensions and Methods of Installation



*L = Varies

For ceiling cutout subtract 1 1/4" from case length and width (measured from outer edge of flanges).

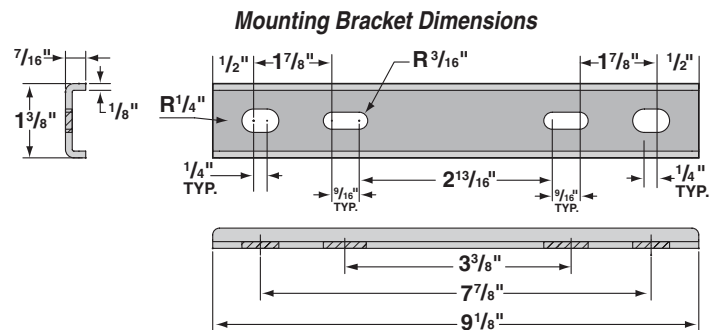
*There are several knock-outs in the screen housing to allow the Leveling Bracket to be adjusted laterally (up to 16" in either direction).



Typical Installation¹

Alternate Installation (additional set of brackets required but not included)

¹ With typical installation, brackets may be angled to meet installation requirements.

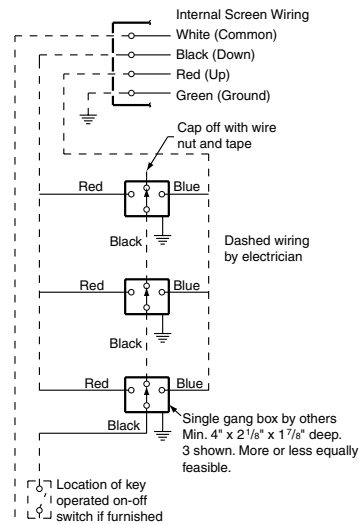
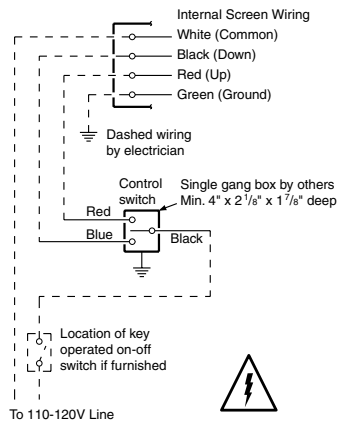


Wiring Diagrams²

110-120V Motor and Quiet Motor

Single Station Control

Multiple Station Control

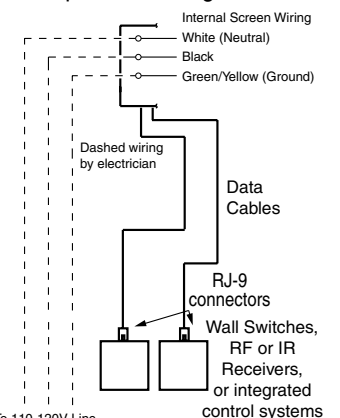
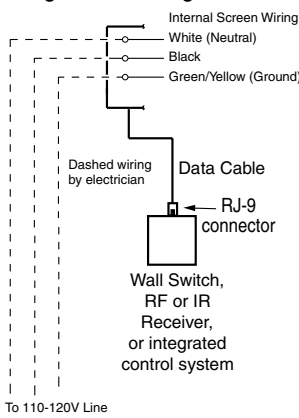


110-120V Motor and Quiet Motor

(Internal Low Voltage Controller)

Single Low Voltage Control

Multiple Low Voltage Controls



² For more information and wiring diagrams for serial and network communication, please see wiring diagrams supplied with individual items.

Please Note:

For external low voltage (LVC-IV), serial (LVC-IV) and network (LVC-IV) wiring diagrams, please consult instructions for those modules.

PROJECT: _____

SUPPLIER: _____

DATE: _____ REVISED: _____