

Video Conferencing Background Planning Sheet

Please provide information for each numbered item:

① **Select Background:**

- Printed (You will be required to provide additional information, including artwork, properly sized and 150 dpi. Please contact Draper.)
- Neutral
 - Reef Glacier Beach
 - Savannah Desert Tundra
- Chroma Key
 - Blue
 - Green

② **Select Operator:**

- Spring Roller (See Section A)
- Permanently Tensioned (See Section B)
- Portable (See Section C)
- Motorized (See Section D)
- Dual Roller Motorized (See Section E)

Section A: Spring Roller Video Conferencing Backgrounds*

① **Select Product:**

- VCB Luma 2 (Surface mounted)
- VCB Silhouette/Series M (Surface mounted)
- VCB Artisan/Series M (Surface mounted)
- VCB Silhouette/Series E (Surface mounted)
- Artisan/Series E (Surface mounted)

② **Select Size (Circle required width in the desired height row):**

Luma 2 Sizes:

Height	Width	Width	Width	Width	Width	Width
96"	70"	84"	96"	108"	120"	144"
108"	70"	84"	96"	108"	120"	144"
120"	70"	84"	96"	108"	120"	144"
132"	70"	84"	96"	108"	120"	144"
144"	70"	84"	96"	108"	120"	144"

Sizes for all other spring roller models:

Height	Width	Width	Width
70"	70"	84"	96"
84"	70"	84"	96"
96"	70"	84"	96"

Section B: Permanently Tensioned Video Conferencing Background (Chroma Key only)*

① **Select Size (Circle one):**

Size (H x W)
54" x 72"
60" x 80"
72" x 96"
78" x 104"

***For dimensional drawings of the various VCB models, please refer to installation instructions for each model at www.draperinc.com**



PROJECT: _____

ARCHITECT: _____
CONTRACTOR: _____
SUPPLIER: _____
DATE: _____ REVISED: _____

Section C: Portable Video Conferencing Background*

① **Select Size (Circle One):**

Size (H x W)
77" x 41½"
83" x 49½"
91" x 59½"
95" x 65½"
107" x 81½"

Section D: Motorized Video Conferencing Backgrounds*

① **Select Product:**

- VCB Access/Series E (Ceiling recessed)
- VCB Ultimate Access/Series E (Ceiling recessed)
- VCB Targa (Surface mounted)
- VCB Silhouette/Series E (Surface mounted)
- Artisan/Series E (Surface mounted)

② **Select Size (Circle required width in the desired height row):**

Height	Width	Width	Width	Width	Width	Width
96"	70"	84"	96"	108"	120"	144"
108"	70"	84"	96"	108"	120"	144"
120"	70"	84"	96"	108"	120"	144"
132"	70"	84"	96"	108"	120"	144"
144"	70"	84"	96"	108"	120"	144"

③ **Select Motor and Controls:**

Standard Voltage Motor and Control Options:

- 110-120V AC (standard)
- Optional Quiet Motor²

Please Note: These motors come with one 110V-120V AC 3-position wall switch (silver wall plate with black rocker).

- Total number of 110-120V AC switches (operate independently)
- Substitute white switch(es) for silver wall plate with black rocker
- Optional Key Operated Switch
 - Power Supply Key Switch (On-off)
 - 3-Position Key Control
 - 3-Position Switch with Hinged Key-Locking Coverplate

Low Voltage Motor and Control Options:

- Optional External LVC-IV Low Voltage Control Module
- Optional Motor with Built-in Low Voltage Controller¹
- Optional Quiet Motor² with Built-in Low Voltage Controller¹

Please Note: Select Control Options for Low Voltage from below.

- 24 Volt 3-Button Switch Number of 24V switches: _____
- Radio Frequency Remote Control (only with 24V)
- Infrared Remote Control (only with 24V)
- Optional Key Operated Switch
 - Power Supply Key Switch (On-off)
 - 3-Position Switch with Hinged Key-Locking Coverplate

- MC1/Serial or Network Communication (please see and complete a Serial and Network Screen and Lift Control Planning Sheet)

Section E: Dual Roller Motorized Video Conferencing Backgrounds*

① **Select Product and Size:**

- VCB Access Dual Roller (Ceiling recessed)

Height	Width	Width	Width	Width	Width	Width
96"	70"	84"	96"	108"	120"	144"
108"	70"	84"	96"	108"	120"	144"
120"	70"	84"	96"	108"	120"	144"
132"	70"	84"	96"	108"	120"	144"
144"	70"	84"	96"	108"	120"	144"

- VCB Dual Roller with Fascia (Surface mounted)

Height	Width	Width	Width
96"	70"	84"	96"

***For dimensional drawings of the various VCB models, please refer to installation instructions for each model at www.draperinc.com**

② Select Motor and Controls:

Standard Voltage Motor and Control Options:

- 110-120V AC (standard)
- Optional Quiet Motor ²

Please Note: These motors come with one 110V-120V AC 3-position wall switch (silver wall plate with black rocker)

- ___ Total number of 110-120V AC switches (operate independently)
- Substitute white switch(es) for silver wall plate with black rocker
- Optional Key Operated Switch
 - Power Supply Key Switch (On-off)
 - 3-Position Key Control
 - 3-Position Switch with Hinged Key-Locking Coverplate

Low Voltage Motor and Control Options:

- Optional External LVC-IV Low Voltage Control Module
 - Optional Motor with Built-in Low Voltage Controller¹
 - Optional Quiet Motor² with Built-in Low Voltage Controller¹
- Please Note: Select Control Options for Low Voltage from below.
- 24 Volt 3-Button Switch Number of 24V switches: _____
 - Radio Frequency Remote Control (only with 24V)
 - Infrared Remote Control (only with 24V)
 - Optional Key Operated Switch
 - Power Supply Key Switch (On-off)
 - 3-Position Switch with Hinged Key-Locking Coverplate

MC1/Serial or Network Communication (please see and complete a Serial and Network Screen and Lift Control Planning Sheet)

⑤ Other Information:

Date: _____ Dealer Name: _____

Contact Name: _____

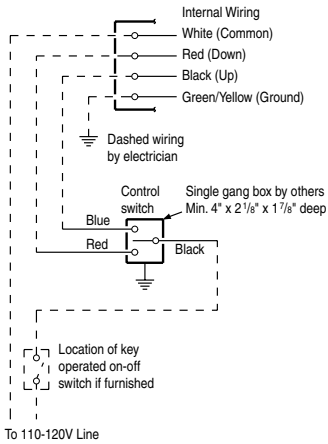
Contact Phone and E-mail: _____

Project Name: _____

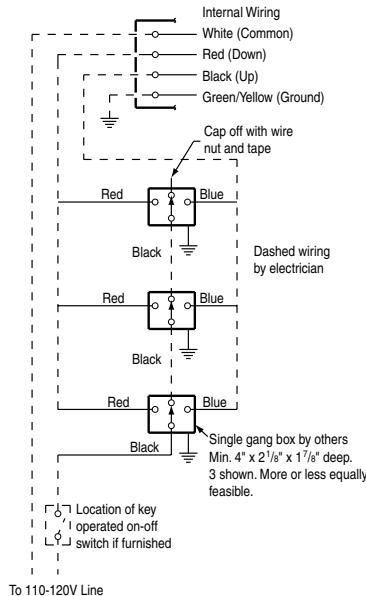
Wiring Diagrams—Motorized VCB Backgrounds

Please Note: Do not wire motors in parallel.

Single Station Control



Multiple Station Control



*** For Dual Roller motorized units, this diagram will need to be followed for both rollers. For wiring diagrams of optional controls, contact Draper, Inc.**

Wiring—External Low Voltage and Remote Control

