

VCB Silhouette/Series M

Manually Operated Video Conferencing Background by Draper

⚠ Caution

- ① Read instructions through completely before proceeding; keep them for future reference. Follow instructions carefully. Installation contrary to instructions invalidates warranty.
- ② Unit should be accessible for complete removal should background become damaged or for service if required.
- ③ Unit should be installed level (using a carpenter's level).
- ④ Nothing should be fastened to dowel or background.

Note: Unit has been thoroughly inspected and tested at factory and found to be operating properly prior to shipment.

Installation

Your Video Conferencing Background can be mounted on a wall or suspended from the ceiling, or mounted on special 6" extension bracket. *Extension brackets must be ordered separately from Draper.* With each method of installation, the case must be mounted level and with the flat back parallel to the wall.

To reduce the risk of personal injury, use only the hardware which comes with the unit or is specified in these instructions.

The unit (or extension brackets) should be mounted into studs or blocking in the wall/ceiling, or in drywall (minimum thickness 1/2") with specified anchors. For any other type of installation, follow all local building and safety codes.

Steel studs, concrete or cinder block walls and all other types of non-wood frame construction require the use of special screws or anchors. The selection of appropriate mounting hardware should be made by a qualified professional installer.

When locating background and checking clearance for operation, remember background is centered in case. Handle case carefully to avoid scratching. Regardless of mounting method, unit should be positively and securely supported so that vibration or even abusive pulling on the background will not cause case to work loose or fall. Installer must insure that fasteners used are of adequate strength and suitable for the mounting surface.

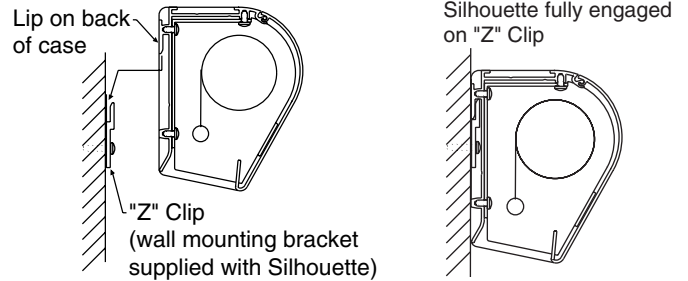
Wall Mounting

Mount 2, 3, or 4 aluminum brackets provided ("Z" Clips) on the wall at desired height, using appropriate fasteners. Verify that they are in line and level to fully engage with the mounting lip on back of case. 1 5/8" of free space is required above the "Z" Clips to allow case lip to be engaged over the lip of the "Z" Clips.

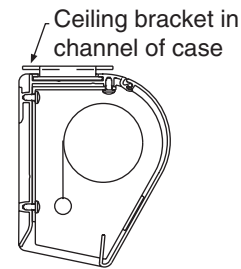
Engage the lip on back of case with lip of "Z" Clip and gently pull down to fully engage case to brackets.

Ceiling/Suspended Mounting

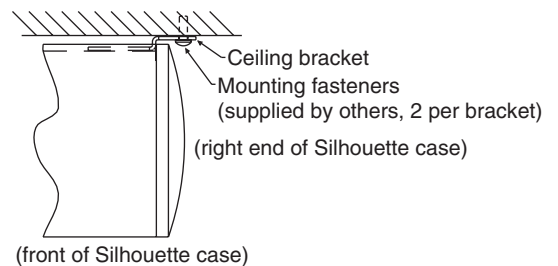
Locate two offset ceiling brackets (supplied) and slide these into the channel on top of case by aligning the chamfered edges of each bracket parallel



to the channel length. Allow bracket to drop against bottom of channel and then rotate bracket counter-clockwise. Slide one bracket to each end of case until it stops against endcap of case. Tighten two set screws to lock bracket in place. Make sure that the flange of the ceiling bracket that has four holes is extended beyond the endcaps of the case. Repeat above procedure for second ceiling bracket, making sure to slide it towards opposite end of case.



To mount against ceiling, hold case against ceiling and mark mounting hole locations. Each bracket has 2 holes towards the front edge and 2 holes towards the back edge. Installer must use at least 2 fasteners per bracket with one fastener in one of the two holes closest to back edge of bracket, and one fastener in one of the two holes closest to front edge of bracket. Installer must insure that fasteners are of adequate strength and suitable for the mounting surface chosen.



To mount suspended from ceiling, the brackets need to be installed on case as noted above. Attach "S" Hooks (supplied) through the holes in the brackets. Select the set of holes that allows the unit to hang in a vertical position. The installer is to provide the materials and fasteners to attach the "S" Hooks to the ceiling. Installer must insure that the fasteners and suspension material are of adequate strength and suitable for the mounting surface chosen.

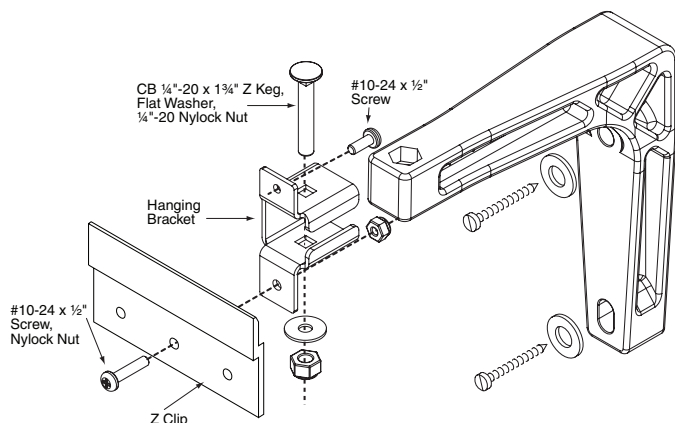
Mounting on extension wall brackets: 6" or 10"-14" extension brackets are needed to mount Silhouette extended from wall. Brackets are not supplied with unit and must be ordered separately. Specify "Silhouette Extension Brackets".



VCB Silhouette/Series M by Draper

Mount the brackets to the wall, making sure they are level and vertically plumb. Installer must insure fasteners (not included) are of adequate strength and suitable for chosen mounting surface.

Attach hanging bracket to wall bracket as shown. Attach (1) "Z" Clip (supplied with unit) to hanging bracket as shown.



Engage the lip on back of case with lip of "Z" Clip and gently pull down to fully engage case to brackets. Screw in #10-24 x 1/2" screw on each bracket to lock case in place (see below).

Operating Instructions—Series M Standard

To lower, pull background down to desired position. *Hesitate*—then allow background to slightly retract *very slowly* until it locks in place.

To raise, pull down on the pull bail, then raise quickly, as a window shade. Keep control of the background. Do not allow it to roll uncontrolled into the case, or damage is sure to result.

Operating Instructions—Series M with AutoReturn

To lower, pull background down. *Hesitate*—then allow background to retract *very slowly* until it locks in place.

To raise, pull background down gently until it stops, then release.

Removing Case Fascia

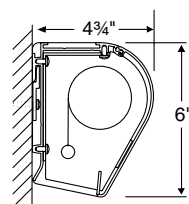
Caution: When removing or reattaching fascia, do not handle fascia by unpainted ends.

Case fascia is removable to access roller assembly. To remove fascia, depress outward the spring lip located inside lower front corner of case and pull lower corner of fascia outward. Repeat this at right end of case. Support fascia from center and rotate lower front edge upward approximately 40° to disengage the Roll-Lok hinge at the top front of screen case. Fascia can now be completely removed from case.

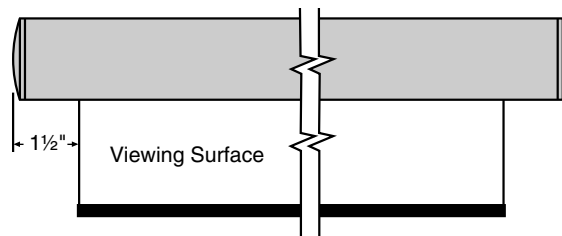
To install fascia, generally reverse instructions above making sure the Roll-Lok hinge is completely engaged before rotating fascia down towards the closed position. Depress spring clips outward, push lower corners of fascia inward until lips of spring clips hook behind fascia.

⚠ Please Note: Be sure the clips are completely up against the ends of the fascia.

Case Dimensions



Silhouette/Series M



Silhouette/Series M with Auto Return

