

Installation/Operating Instructions

VCB LUMA 2 Spring Roller Operated Video Conferencing Background by Draper

Before You Begin

- 1 Read instructions through completely before proceeding.
- 2 Follow instructions carefully. Installation contrary to instructions invalidates warranty.
- 3 Unit should be accessible for complete removal should fabric become damaged or should other service be required.
- 4 Unit should be installed level (using a carpenter's level).
- 5 Nothing should be fastened to dowel or background.

NOTE: Unit has been thoroughly inspected and tested at factory and found to be operating properly prior to shipment.

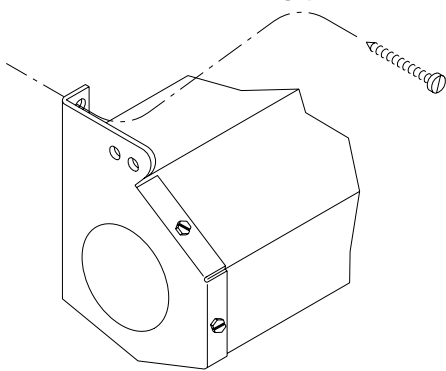
Installation

Your Luma 2 Video Conferencing Background can be mounted on a wall or suspended from the ceiling or extension brackets. It must be mounted **level** and **with the flat back parallel to the wall**.

The unit (or extension brackets) should be mounted into studs or blocking in the wall/ceiling, or in drywall (minimum thickness 1/2") with specified anchors. For any other type of installation, follow all local building and safety codes. Steel studs, concrete or cinder block walls and all other types of non-wood frame construction require the use of special screws or anchors.

The selection of appropriate mounting hardware should be made by a qualified professional installer. Draper does not recommend hanging the VCB Luma 2 using chains. Using chains may allow the roller to lock in the fully extended position, and prevent the background from retracting into the case.

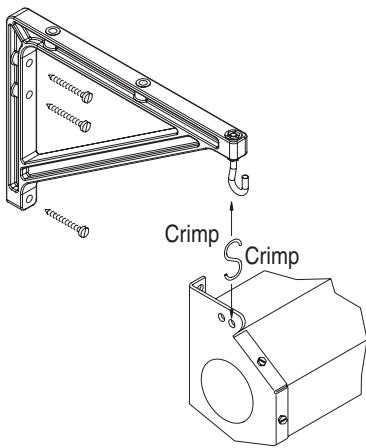
Wall Mounting (Hardware not included)



Use the holes at the back of the mounting bracket for flush wall mounting.

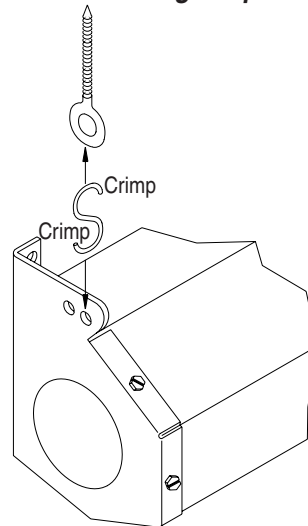
Recommended hardware: For mounting into wood or wall stud, use #10 x 1 1/4" wood screws; for mounting into drywall (minimum 1/2" thick), use 3/16" toggle bolts or 3/16" molly bolts.

Extension Brackets (Optional Equipment)



Wall mount the brackets (not included) using hardware recommended for "Wall Mounting" (at right). Then, suspend the unit from the **front** mounting hole in the endcap with "S" hooks (as in "Ceiling Suspended"). For added safety, crimp both ends of the "S" hooks so the screen cannot come off.

Ceiling Suspended (Hardware not included)



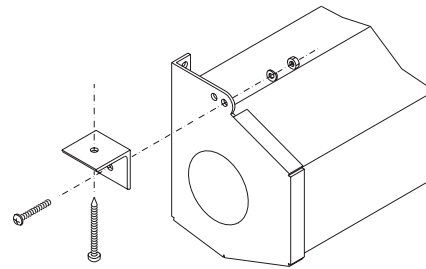
Use the holes at the **front** of the mounting bracket for suspended mounting. Position and properly anchor screw eyes or other fasteners (not included) into ceiling joists or other solid surface. Suspend "S" hooks (not included) from fasteners and hook through **front** mounting hole in the endcap. For added safety, crimp both ends of the "S" hooks so the screen cannot come off.

Recommended hardware: For mounting into wood or ceiling joist, use two 3/16" x 1 1/4" screw eyes and 3/16" diameter "S" hooks; for mounting into drywall (minimum 1/2" thick), use 3/16" toggle or molly bolts with 3/16" "S" hooks.

Please Note:

Draper does not recommend hanging the VCB Luma 2 using chains. Using chains may allow the roller to lock in the fully extended position, and prevent the background from retracting into the case.

Recessed Mounting (Hardware not included)



Use the **front** mounting hole in the endcap for recessed mounting flush with the ceiling. Attach angle (not included) to unit then position and properly anchor screw fasteners (not included) into ceiling joists or other solid surface.

Recommended hardware: For mounting into wood or ceiling joist, use 3/16" bolts.

Please Note: Optional Floating Brackets are available with the VCB Luma 2. They should be located on studs or joists. The bracket then attaches at any almost any point along the case. For details, see separate instruction sheet that ships with the Floating Wall Bracket.

Operating Instructions—Standard

To lower, pull background down. *Hesitate*—then allow background to retract *very slowly* until it locks in place.

To raise, pull background down and, while holding, allow for slow retraction into the case to reduce risk of injury from falling unit.

Please Note: If the background stops between the full up or full down positions, it will not retract completely back into the case. Please lower the background to the full down position and then let it retract all the way back into the case without stopping or slowing it down.

Operating Instructions—AutoReturn

To lower, pull background down. *Hesitate*—then allow screen to retract *very slowly* until it locks in place.

To raise, pull background down gently until it stops, then release.

DRAPER®

411 S. Pearl St., Spiceland, IN 47385 USA ■ 765-987-7999
www.draperinc.com ■ fax 765-987-7142

Copyright © 2013 Draper Inc. Form VCB Luma2_Inst13 Printed in U.S.A.

If you encounter any difficulties installing or servicing your unit, call your dealer or Draper, Inc., Spiceland, Indiana, (765) 987-7999 or fax (765) 987-7142.