

Installation/Operating Instructions

220V VCB Artisan/Series E Electric Video Conferencing Background by Draper

⚠ Caution

- ① Read instructions through completely before proceeding. Follow instructions carefully. Installation contrary to instructions invalidates warranty.
- ② Before removing unit from crate, check for damage and to make sure all parts are included.
- ③ Unit should be accessible for complete removal should background become damaged or should other service be required.
- ④ Unit should be installed level (using a carpenter's level).
- ⑤ Nothing should be fastened to dowel or background.
- ⑥ Operating switch(es) packed separately in carton. Do not discard with packing material.
- ⑦ Unit operates on 220V, 50 Hz., 1 ph current.

NOTE: Unit has been thoroughly inspected and tested at factory and found to be operating properly prior to shipment.

These instructions are meant as a guide only. They do not imply any responsibility on the part of the manufacturer for improper installation or faulty workmanship at the jobsite.

Hanging Screen

General:

When locating background and checking clearance for operation, remember background is centered in case.

Take care to install wall/ceiling electrical box and conduit so they will be fully concealed by the case after installation.

The Artisan's furniture-quality case should always be handled carefully to avoid scratching and protect its finish.

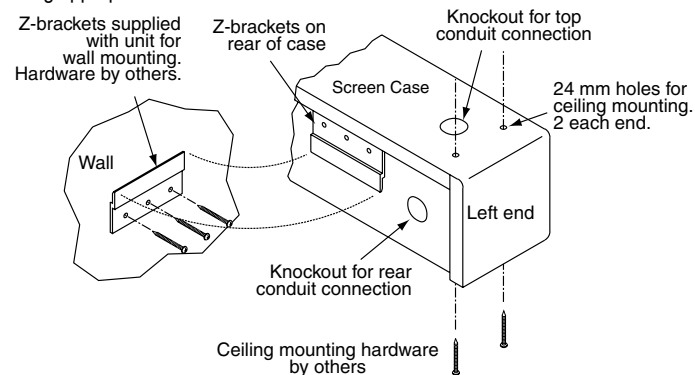
Regardless of mounting method, unit should be positively and securely supported so that vibration or even abusive pulling on the background will not cause case to work loose or fall. Installer must insure that fasteners used are of adequate strength and suitable for the mounting surface chosen.

Wall Installation:

Mount 2, 3, or 4 aluminum brackets provided on the wall at desired height, using toggle bolts provided or other appropriate fasteners. Verify that they are in line and level to fully engage matching brackets pre-installed on back of case. When unit is set on brackets, pull down gently to ensure that it is snug and secure.

Ceiling Installation:

Install through the two 22 mm diameter mounting holes at each end of the case, using appropriate fasteners.



Electrical Connections

Unit operates on 220V, 50 Hz., 1 ph current.

Junction box is located in the left end of case. It is accessible through bottom of case when hinged door is opened. Junction box contains red, black and white pigtail leads and green internal ground wire, per wiring diagram on reverse.

Wall or ceiling electrical box should be installed so as to be fully concealed by case after installation. Conduit openings are covered by plastic caps (to be removed for installation). Opening for ceiling mounting is located in top, 73 mm from the end and 64 mm from the back of the case. Opening for wall mounting is in back, 73 mm from the end and 70 mm from the top of the case.

Unit is shipped with internal wiring complete and control switch(es) fully boxed. Wire connecting unit to switch(es) and switch(es) to power supply should be furnished by installer. Connections should be made in accordance with attached wiring diagram, and wiring should comply with National and local electrical codes.

All operating switches should be "off" before power is connected.

DRAPER

411 S. Pearl St., Spiceland, IN 47385 USA ■ 765-987-7999
www.draperinc.com ■ fax 765-987-7142
Copyright © 2015 Draper Inc. Form VCBArtisanE220V_Inst15 Printed in U.S.A.

Operation

Series E: Before operating unit remove tape securing background and dowel to roller. If background hangs out of case 20-23 cm, tape has probably been broken by rough handling in shipment, allowing background to "unwrap" one turn about the roller. Manually wrap the background back around the roller without turning the roller itself.

Series V: Important Instructions—The shipping support brackets must be removed from each end of dowel during initial operation before unit is operated in UP direction. After unit is installed, run background DOWN to access screws that hold brackets to dowel. Loosen hex head screw, remove bracket and retighten screw at each end of dowel. Cycle background down and up several times to confirm satisfactory operation. If background does not operate properly, turn power off and check electrical connections.

220V Single Station Control—3-position up-off-down switch permits operation to be stopped at any point. Factory adjusted limit switches automatically stop screen when fully down or fully up.

220V Multiple Station Control (Not CE approved)—Switches are similar in appearance to 220V Single Station Control. Background stops when switch is released and may be restarted in either direction. Factory adjusted limit switches stop background automatically when fully down or fully up.

24V Control—Three-button up-stop-down switch(es) stop at any point desired, operate in any sequence. Factory adjusted limit switches automatically stop background when fully down or fully up. Installer should incorporate an all-pole disconnect in the fixed wiring.

Key Operated Switching — Two kinds of key-operated switches are optionally available with this unit. ① The key-operated power supply switch controls power to the unit and switches. When it is "off", the switches will not operate unit. Key may be removed from the switch in either "on" or "off" position. ② A three-position key switch permits the unit to be operated directly by key. In this case, the unit's operator must always have a key.

RS232/Ethernet—Serial communication and network communication optionally available with wall switches, RF or IR remote.

Limit Adjustments

Please Note: Limits are factory set for optimum performance of the unit. A procedure is outlined below for minor tweaks, but any adjustment of these limits may negatively affect the flatness of the background and could also void the warranty. Please check with Draper prior to resetting limits.

⚠ CAUTION: Always be prepared to shut unit off manually when new adjustment is being tested. Unit may be severely damaged if background is allowed to run too far up or too far down.

⚠ CAUTION: Be sure all switches are in "off" position before adjusting limit switches.

The motor limit screws are normally located on the audience left of background roller.

"DOWN" LIMIT ADJUSTMENT

To Reduce Background Drop

- ① Raise background about 305 mm above desired setting and turn off.
- ② Turn the WHITE/DOWN limit screw clockwise (three screw turns = ½ roller revolution).
- ③ Test by running background down and repeat steps 1 and 2 until desired position is reached.

To Increase Background Drop

- ① Run background to the down limit.
- ② With the down switch on, turn the WHITE/DOWN limit screw counterclockwise (three screw turns = ½ roller revolution) to increase drop.
- ③ Test by running background up about 305 mm and back down to new down limit.
- ④ Repeat steps 2 and 3 until desired position is reached.

"UP" LIMIT ADJUSTMENT

Background is Running Too Far Up

- ① Lower background about 305 mm below desired setting and turn off.
- ② Turn the YELLOW/UP limit screw clockwise (three screw turns = ½ roller revolution).
- ③ Test by running background up.
- ④ Repeat steps 1 through 3 until desired position is reached.

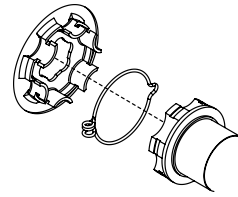
Background Needs to Run Up More

- ① Run background down about 305 mm and turn off.
- ② With the up switch on, turn the YELLOW/UP limit screw counterclockwise (three turns of screw = ½ roller revolution).
- ③ Repeat steps 1 and 2 until desired position is reached.

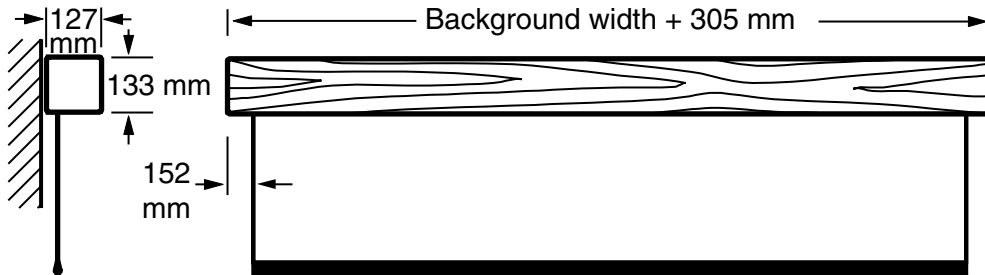
⚠ CAUTION: Do NOT allow the dowel to wrap up over the roller when the background is running up! This could damage the unit.

If you encounter any difficulties installing or servicing your VCB Artisan, call your dealer or Draper, Inc., Spiceland, Indiana, (765) 987-7999 or fax (765) 987-7142.

Caution: Do not remove the roller assembly from the case unless necessary for repairs. If the roller assembly is removed, be sure motor is fully re-seated in the bracket, and re-secure it carefully with the motor retaining spring (see diagram at right).



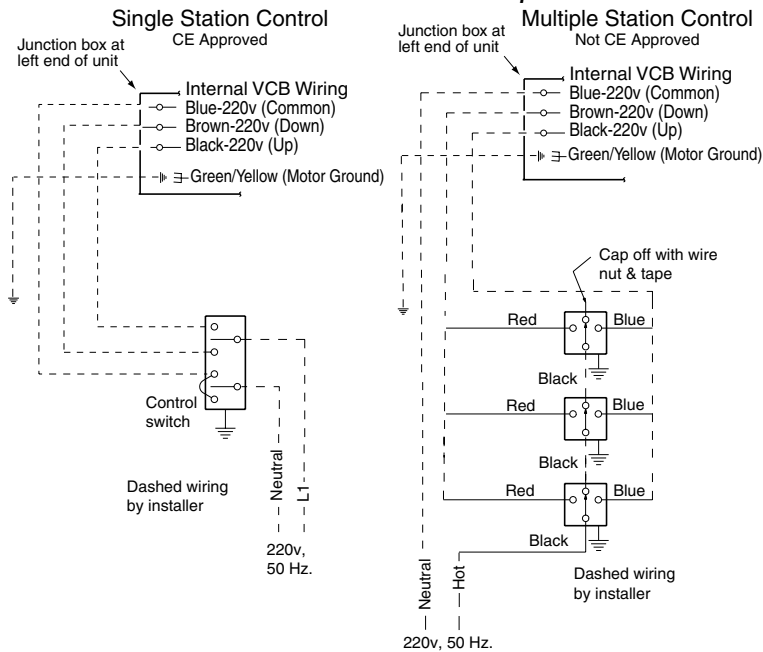
Case Dimensions



NOTE: Add 29 mm to case height for bevel style.

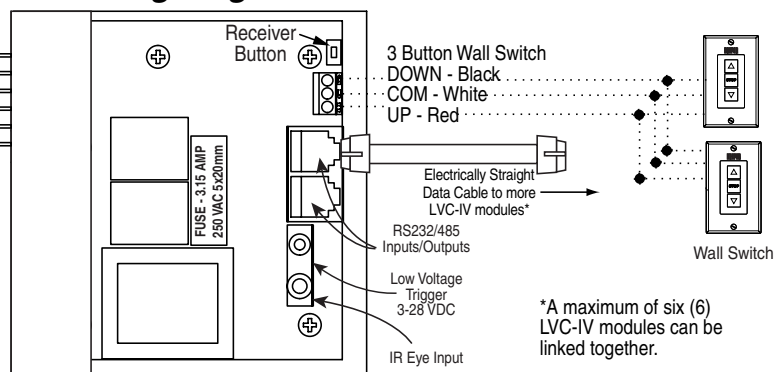
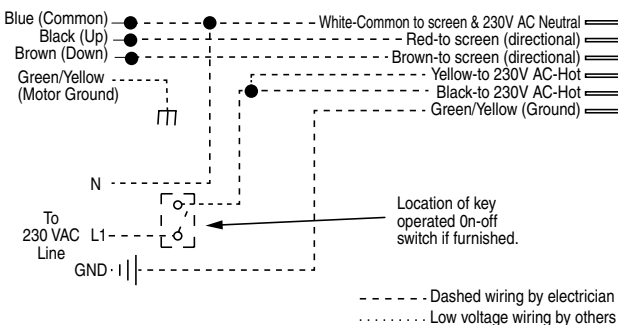
(Wiring Diagrams Standard and Quiet Motors)

Please Note: Do not wire motors in parallel.



External LVC-IV - Single or Multiple Projection Screen Wiring Diagram

INTERNAL SCREEN WIRING



*A maximum of six (6) LVC-IV modules can be linked together.