

Installation/Operating Instructions

220V VCB Access/Series E Electric Video Conferencing Background by Draper

⚠ Caution

- ① Read instructions through completely before proceeding; keep them for future reference. Follow instructions carefully. Installation contrary to instructions invalidates warranty. Care in mounting and correct operation will mean long and satisfactory service from your Draper background.
 - ② Before removing unit from crate, check for damage and to make sure all parts are included.
 - ③ Allow enough access to remove cover should background become damaged or should other service be required.
 - ④ Unit should be installed level (using a carpenter's level).
 - ⑤ Nothing should be fastened to dowel or background.
 - ⑥ Operating switch(es) is packed separately in carton. Do not discard with packing material.
 - ⑦ Unit operates on 220V, 50 Hz. 1 ph current.
- NOTE:** Unit has been thoroughly inspected and tested at factory and found to be operating properly prior to shipment.

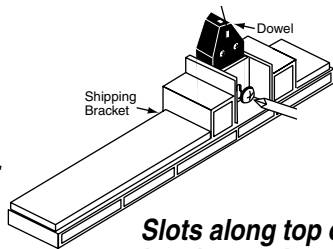
These instructions are meant as a guide only. They do not imply any responsibility on the part of the manufacturer for improper installation or faulty workmanship at the jobsite.

Hanging Screen

When locating background and checking clearance for operation, remember background is centered in the length of the case. Regardless of mounting method used, the following points apply:

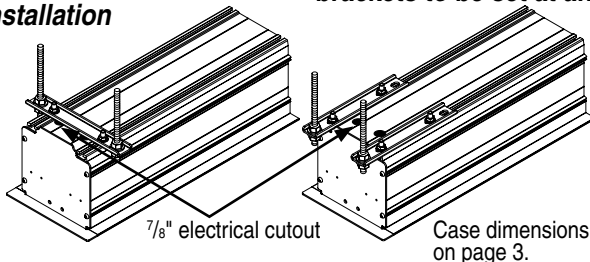
- ① Mounting brackets are shipped attached to the case. Engage each bracket with top of housing as shown below and tighten set screws. A bracket should be within 46 cm of each end of case. Brackets can be removed and case mounted with lag screws through top of case (holes drilled on site).
- ② Unit should be positively and securely supported so that vibration or even abusive pulling will not weaken installation.
- ③ Installer must insure that fasteners used are of adequate strength and suitable for the mounting surface chosen. Supporting hardware (chains, cables, 3/8" rods, etc.) must be essentially vertical.
- ④ Entire bottom of case must be readily accessible after installation is complete.
- ⑤ Front, back and top of case must be straight—not forced to warp or bow.
- ⑥ If case is painted on location, removal of roller/background assembly is recommended prior to painting. If not removed, slot on bottom of case should be shielded to protect background from paint splatters or overspray.

Remove shipping brackets before operating unit.



Slots along top of case permit brackets to be set at an angle

Typical Installation



Alternate Installation (additional set of brackets required but not included)

Suitable for use in environmental air space in accordance with Section 300-22(c) of the National Electrical Code, and Sections 2-128, 12-010(3) and 12-100 of the Canadian Electrical Code, Part 1, CSA C22.1.

- ⑦ Do not seal unit in ceiling until electrical connections have been made and unit has been operated successfully.

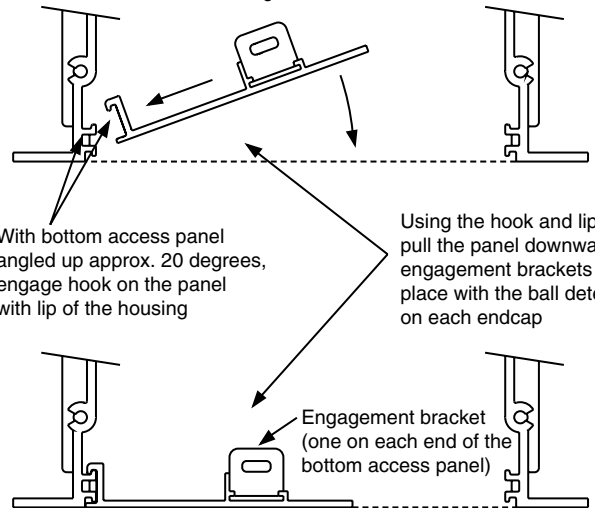
Electrical Connections

Unit operates on 110-120V, 60 Hz. current. Junction box is located just above the bottom access panel at left end of unit (standard, right end may be specified). Remove the bottom access panel for access to the junction box cover. (See Bottom Access Panel Removal instructions below). Remove four (4) hex head screws that secure the cover to the junction box to expose the blue, brown, and black pigtail leads and the green ground wire per wiring diagram on page 3. If optional low voltage control or video interface control is specified and factory installed, please refer to wiring diagrams on page 4. Unit is shipped with internal wiring complete and control switch(es) fully boxed. Wire to connect unit to switch(es) and switch(es) to power supply should be furnished by installer. Connections should be made in accordance with attached wiring diagram, and wiring should comply with national and local electrical codes.

⚠ All operating switches should be "off" before power is connected.

Bottom Access Panel Installation/Removal

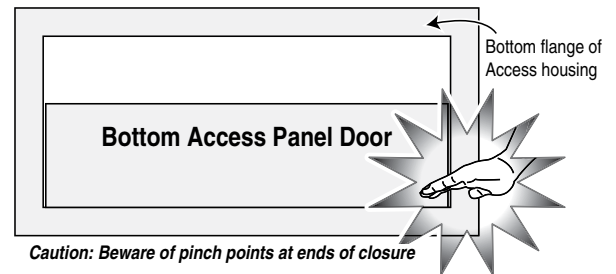
Bottom access panel hooks over the lower inside edge of the case and then is pivoted downward until the engagement brackets on each end of the bottom panel click into place with the ball detents on each endcap. Make sure bottom access panel clicks in place at each end of its length. Remove bottom access panel by pushing up at each corner of panel adjacent to slot in bottom of the housing.



With bottom access panel angled up approx. 20 degrees, engage hook on the panel with lip of the housing

Using the hook and lip as a pivot, pull the panel downward until the engagement brackets click into place with the ball detent on each endcap

With bottom access panel angled up approximately at 20° it can be lifted off of the lip of the housing and then lowered out of the housing completely.



Access case as seen from below

US Patent Nos.
6,137,629; 6,421,175;
6,532,109; 6,816,308;
7,559,707

DRAPER

411 S. Pearl St., Spiceland, IN 47385 USA ■ 765-987-7999
www.draperinc.com ■ fax 765-987-7142
Copyright © 2015 Draper Inc. Form VCBAccessE220V_Inst15 Printed in U.S.A

If you encounter any difficulties installing or servicing your VCB Access, call your dealer or Draper, Inc., in Spiceland, Indiana, 765/987-7999 or fax 765/987-7142.

Motorized Roller/Fabric Installation

Please note: When ordering a motor with built-in Low Voltage Controller, if the case ships separate from the "guts," the case includes the 762 cm cable and special low voltage switch.

The bottom access panel must be removed first.

The motor end mounting bracket has a metal bracket with snap ring for accepting motor head. Back out the four set screws in bracket until they are flush with top side of bracket.

To engage the motor end bracket flange above the two channels in the top of the screen housing, rotate the bracket approximately 45° counterclockwise to allow the top surface of the motor bracket to rest flat against the top inside of the housing. Rotating the bracket clockwise until it is engaged with the channels, slide it along the length of the housing against the electrical junction box.

Engage idler end bracket (rectangular mounting pad) in the same manner as motor end bracket and slide it toward the opposite end of the unit housing. Do not tighten set screws on this bracket until the roller/background assembly is installed, and centered in case. Locate the black washer and retaining clip attached to the instruction sheet.

Note: This step requires two people to perform safely. Raise the roller/background assembly up into the unit housing and engage the head of the motor **completely into the motor mounting bracket, making sure the snap ring engages with the motor** and that the limit switch adjusting knobs are visible from the bottom of the unit housing.

While supporting the idler end of the roller, slide the idler end mounting bracket toward the roller. Insert the roller pin into the nylon bushing on the idler end mounting bracket.

The roller idler pin needs to go through the idler bracket far enough to allow the washer and retaining clip to be reinstalled on the pin.

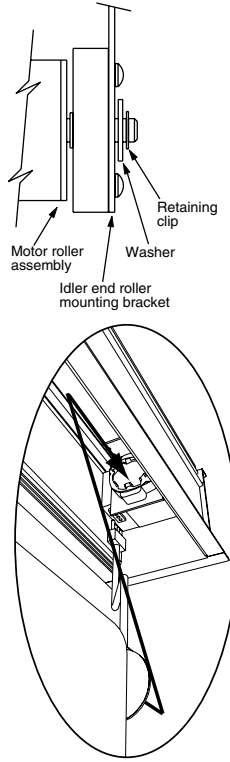
Failure to replace the washer and retaining clip could result in the separation of the roller from the brackets.

The roller/background assembly and roller brackets may need to be slid left or right in the mounting channel of case to center fabric within screen case.

Securely tighten the set screws on roller mounting brackets.

Connect the electrical plug from the motor to the mating socket on the junction box.

Reinstall the bottom access panel as previously described.



Motorized Roller/Fabric Removal

Reverse the instructions above "Motorized Roller/Fabric Installation" for removal of the unit.

Operation

When unit is first operated, **be cautious!** Cycle unit down and up several times to confirm satisfactory operation.

220V SINGLE STATION CONTROL—3-position UP-OFF-DOWN switch permits operation to be stopped at any point. Factory adjusted limit switches automatically stop background when fully down or fully up.

220V MULTIPLE STATION CONTROL—(Not CE Approved) Switches are similar in appearance to 220V Single Station Control. Screen stops when switch is released and may be restarted in either direction. Factory adjusted limit switches stop background automatically when fully down or fully up.

24V MULTIPLE STATION CONTROL—Three-button UP-STOP-DOWN switches stop at any point desired, operate in any sequence. Factory adjusted limit switches automatically stop background when fully down or fully up. Installer should incorporate an all-pole disconnect in the fixed wiring.

KEY OPERATED SWITCHING—(Not CE Approved) Two kinds of key-operated switches are optionally available with this unit. The key-operated power supply switch controls power to the unit and switches. When it is "off," the switches will not operate unit. Key may be removed from the switch in either "on" or "off" position. A three-position key switch permits the unit to be operated directly by key. In this case, the operator must always have a key.

RS232/ETHERNET—Serial communication and network communication optionally available with wall switches, RF or IR remote.

Limit Adjustments (Standard/Quiet Motors)

Please Note: Background limits are factory set for optimum performance of the unit. A procedure is outlined below for minor tweaks, but any adjustment of these limits may negatively affect the flatness of the background and could also void the warranty. Please check with Draper prior to resetting limits.

CAUTION: Always be prepared to shut unit off manually when new adjustment is being tested. Unit may be severely damaged if background is allowed to run too far up or too far down.

CAUTION: Be sure all switches are in "off" position before adjusting limit switches.

The motor limit screws are normally located on the audience left of the roller. ****Please Note:** If the VCB Access is "Right Hand Motor" or "Waterfall", the WHITE/DOWN and YELLOW/UP limit screws are reversed. See graphic below.

"Down" Limit Adjustment

To Reduce Background Drop

- ① Raise background about 305 mm above desired setting and turn off.
- ② Turn the WHITE/DOWN limit screw clockwise (three screw turns = ½ roller revolution).
- ③ Test by running background down and repeat steps 1 and 2 until desired position is reached.

To Increase Background Drop

- ① Run background to the down limit.
- ② With the down switch on, turn the WHITE/DOWN limit screw counterclockwise (3 turns of screw equals ½ roller revolution) to increase drop.
- ③ Test by running background up about 305 mm and back down to new down limit.
- ④ Repeat steps 2 and 3 until desired position is reached.

"Up" Limit Adjustment

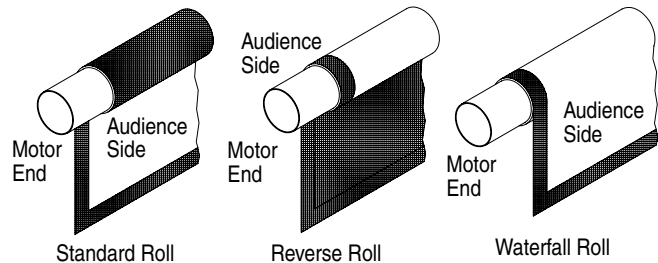
Background is Running Too Far Up

- ① Lower background about 305 mm below desired setting and turn off.
- ② Turn the YELLOW/UP limit screw clockwise (3 screw turns = ½ roller revolution).
- ③ Test by running background up.
- ④ Repeat steps 1 through 3 until desired position is reached.

Background Needs to Run Up More

- ① Run background down about 305 mm and turn off.
- ② With the up switch on, turn the YELLOW/UP limit screw counterclockwise (3 turns of screw equals ½ roller revolution).
- ③ Repeat steps 1 and 2 until desired position is reached.

CAUTION: Do NOT allow the dowel to wrap up over the roller when the background is running up! This could damage the background.



Standard/Reverse Roll

- Left hand motor**
 White Socket—Down
 Yellow Socket—Up
Right hand motor
 White Socket—Up
 Yellow Socket—Down

Waterfall Roll

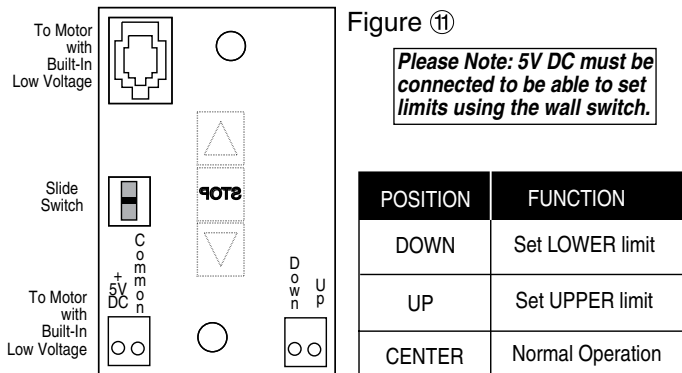
- Left hand motor**
 White Socket—Up
 Yellow Socket—Down
Right hand motor
 White Socket—Down
 Yellow Socket—Up

Limit Adjustments (Low Voltage Motors with Internal Low Voltage Controller)

Please Note: Screen limits are factory set for optimum performance of the screen. A procedure is outlined below for minor tweaks, but any adjustment of these limits may negatively affect the flatness of the screen surface and could also void the warranty. Please check with Draper prior to resetting screen limits.

CAUTION: Always be prepared to shut screen off manually when new adjustment is being tested. Screen may be severely damaged if viewing surface is allowed to run too far up or too far down.

CAUTION: Be sure all switches are in "off" position before adjusting limit switches.



Please Note: 5V DC must be connected to be able to set limits using the wall switch.

- Connect the ILT switch to the motor via the terminal blocks, or via the modular port using four conductor modular cable. When using modular cable, the cable connectors MUST NOT be crimped in reverse, as with standard telephone cable. (For a Dry Contacts Wiring Diagram, see page 4.)
- Set the slide switch to the lower position. Press and hold the DOWN button on the switch to move the viewing surface to the desired lower limit. If the screen moves in the opposite direction, release the DOWN button and press and hold down the STOP button for four seconds. This will reverse the operation of the UP and DOWN switches.
- Move slider switch into center position. Wait a couple of seconds.

Please Note: If you move the slider switch from down to up in one motion it sets the two limits in the same position.

- Set the slide switch to the higher position. Move the viewing surface to desired upper limit by pressing and holding the UP button on wall switch.
- Return the slide switch to the center position to return to normal operation.
- To set the viewing surface to an alternate format position, move the viewing surface to the desired position and press the STOP button. Press and hold the STOP button for at least three seconds to record the position.

Please Note: Pressing and releasing the UP button on the switch will move the screen to its upper limit. Pressing and releasing the DOWN button will move the screen to its lower limit.

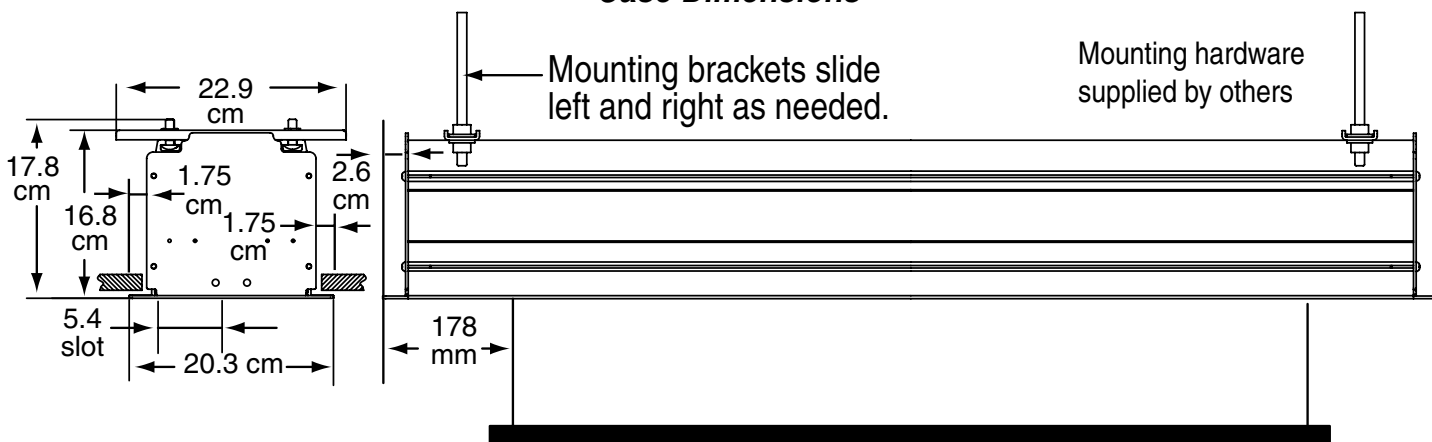
While the motor is in motion, pressing the STOP button for less than two seconds will stop the viewing surface at its present position.

Once the motor is stopped, pressing the STOP button will move the viewing surface to its alternate format position.

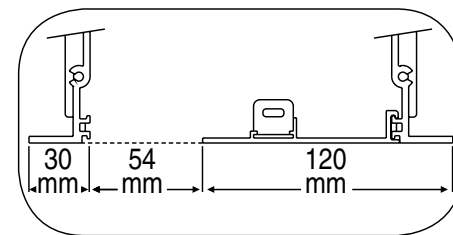
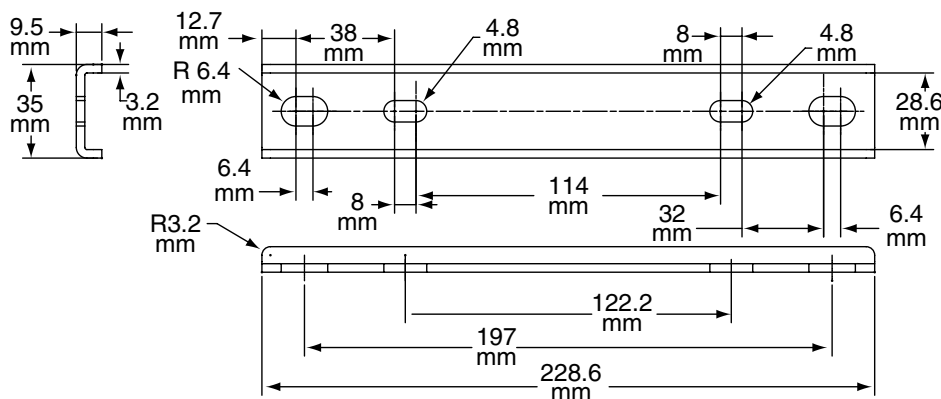
Pressing and holding the STOP button, when the motor is at rest or in motion, for at least three seconds will record a new alternate format position.

Please note: When ordering a motor with internal Low Voltage Controller, if the case ships separate from the "guts," the case includes the 25' cable and special low voltage switch.

Case Dimensions

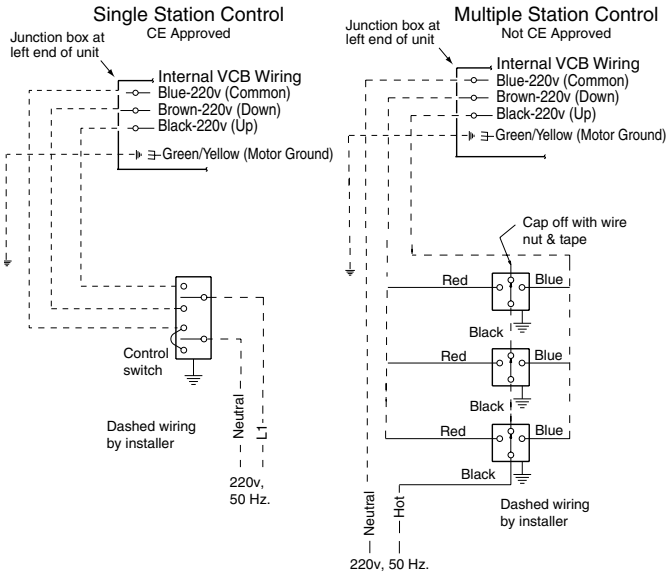


Mounting Bracket Dimensions

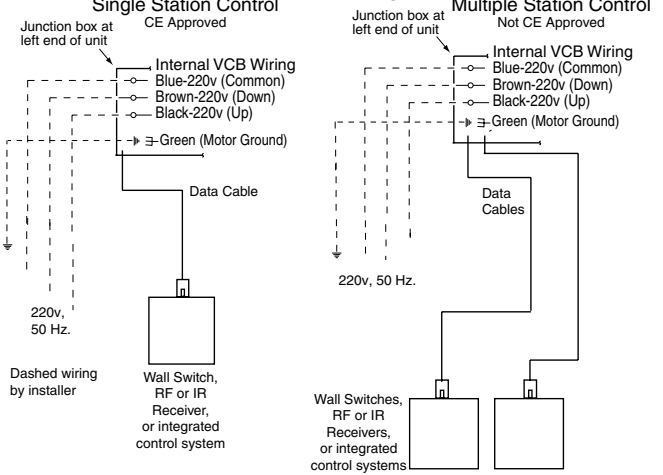


Wiring Diagrams—220V Motor and Quiet Motor

Please Note: Do not wire motors in parallel.

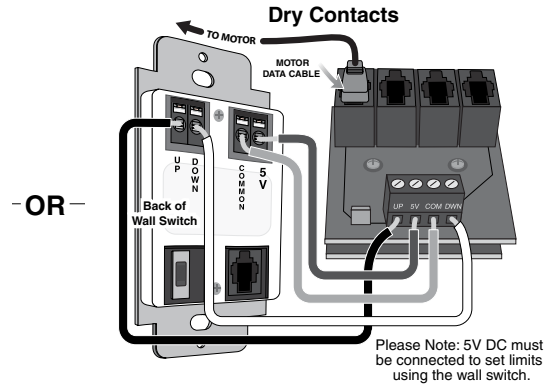
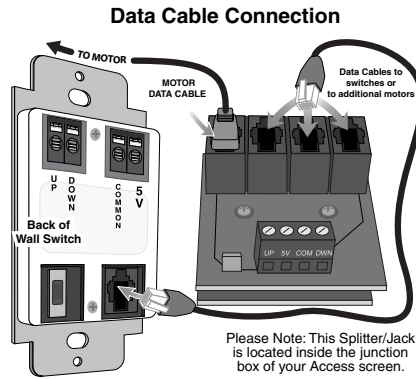


Wiring Diagrams—220V Motor and Quiet Motor with Built-in Low Voltage Controller

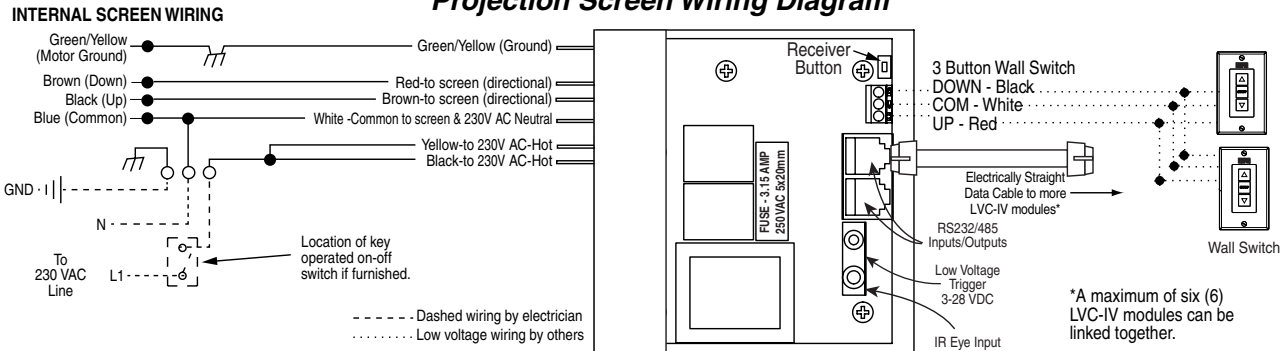


*These wiring diagrams are for VCB Access with motor on audience left (standard), and background unrolling from the back of the roller (standard).

Connecting Switch to Motor with Internal Low Voltage Controller



Built In LVC-IV - Single or Multiple Projection Screen Wiring Diagram



External LVC-IV - Single or Multiple Projection Screen Wiring Diagram

