

Video Conferencing Camera Lift - Credenza

Specifications—Video Conferencing Camera Lift—Credenza

_____ Video Conferencing Camera Lifts—Credenza, fully assembled and ready to install.

The credenza Video Conferencing Camera Lift conceals a camera in a credenza, cabinet or table and raises it quickly and quietly into position when it's time for a conference to begin.

Unit operates on 120V AC, 60 Hz. Linear actuator shall provide maximum thrust of 179.8 pounds (81.6 kg) with a lifting capacity of 150 pounds. Maximum speed is 1½" (38 mm) per second. Duty cycle 10%—2 minutes on/18 minutes off.

Draper's credenza Video Conferencing Camera Lift features 10" (254 mm) vertical travel.

Unit shall include camera shelf and top plate to which a closure panel can be attached to match the surrounding surface. Two camera shelf sizes are available: 9" w. x 9¾" h. x 7½" d. (229 w. x 248 h. x 191 d. mm) and 12" w. x 9¾" h. x 9" d. (305 w. x 248 h. x 229 d. mm). Also includes control box, power cord with three-prong plug, control cable and wall switch.

Downloadable 3-part specifications available at www.draperinc.com.

Specifications subject to change without notice.

Please Mark Appropriate Selections

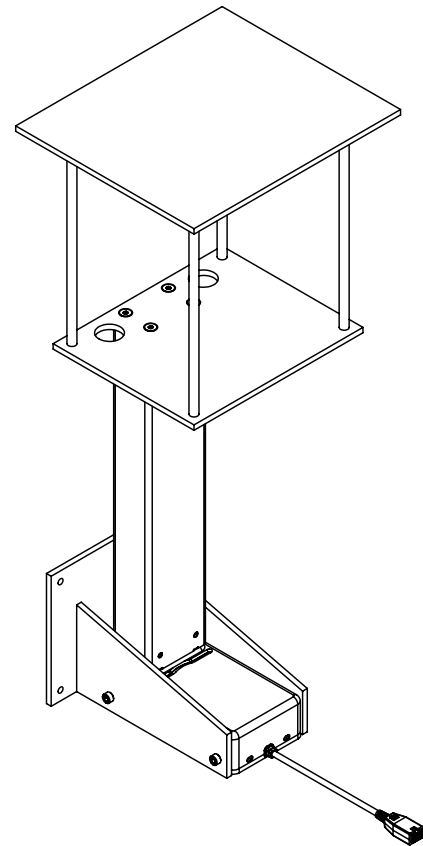
Select Camera Shelf Size:

- 9" w. x 9¾" h. x 7½" d. (229 w. x 248 h. x 191 d. mm)
- 12" w. x 9¾" h. x 9" d. (305 w. x 248 h. x 229 d. mm)

Select Controls:

Please Note: This Draper motorized lift comes with one 110V-120V AC, 3-position, momentary wall switch (silver wall plate with black rocker).

- ___ Total number of 110-120V AC switches (switches operate independently)
- Substitute white switch(es) for silver wall plate with black rocker
- Optional Lift Low Voltage Control Module
 - Momentary Rocker Wall Switches How many? _____
 - Radio Frequency Remote Control (only with 24V)
 - Infrared Remote Control (only with 24V)
- Optional Power Supply Key Switch (On-off)



PROJECT: _____

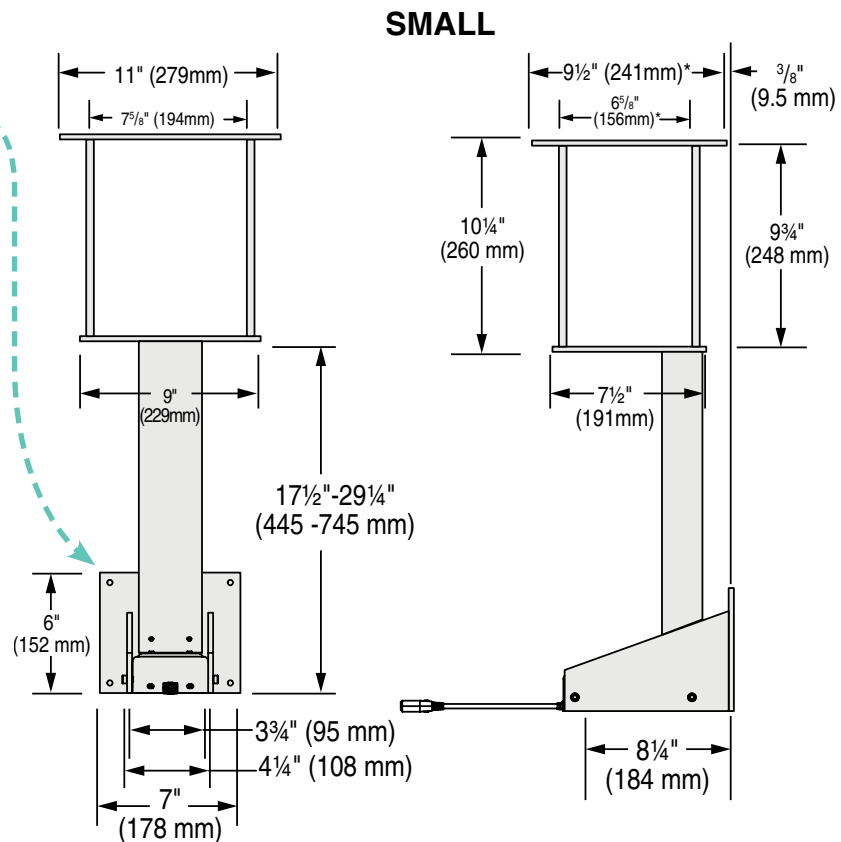
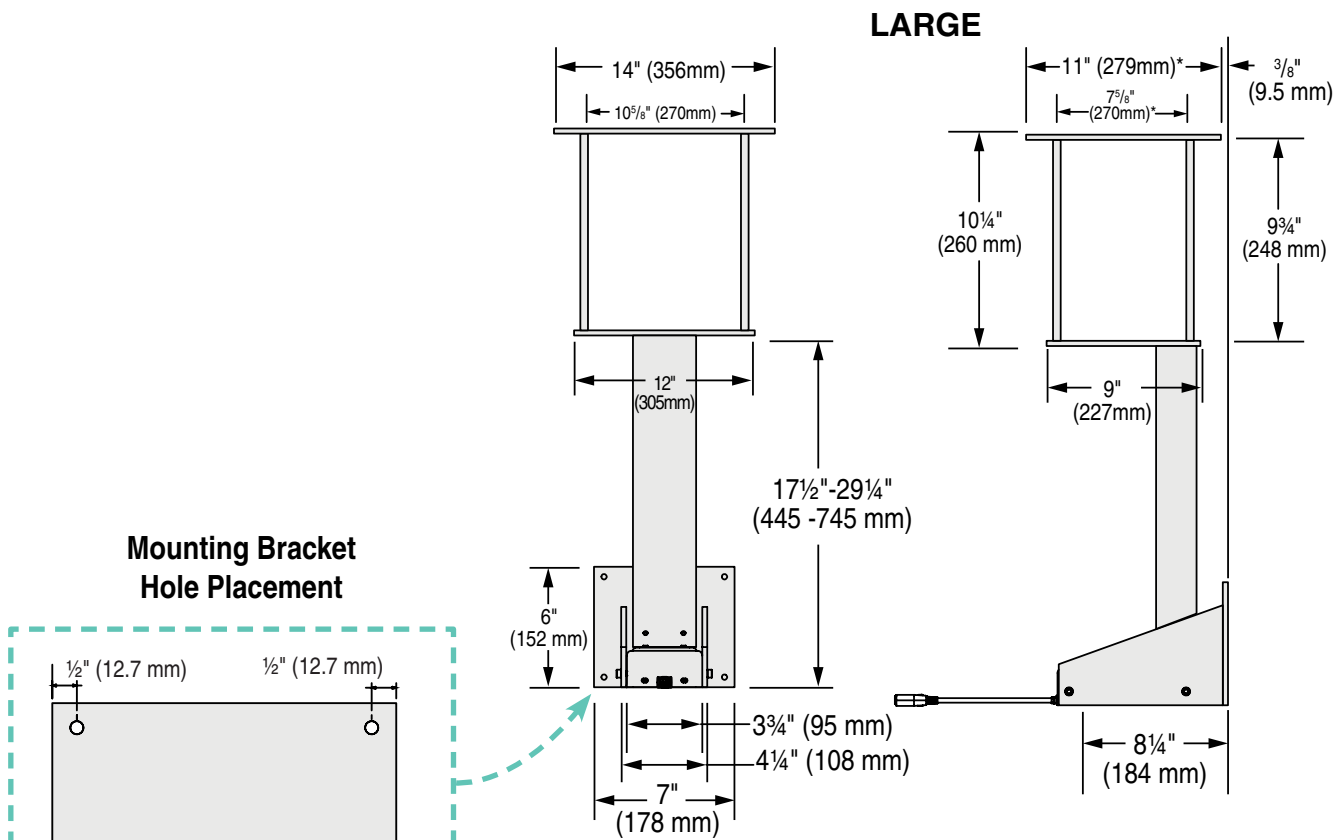
ARCHITECT: _____

CONTRACTOR: _____

SUPPLIER: _____

DATE: _____ REVISED: _____

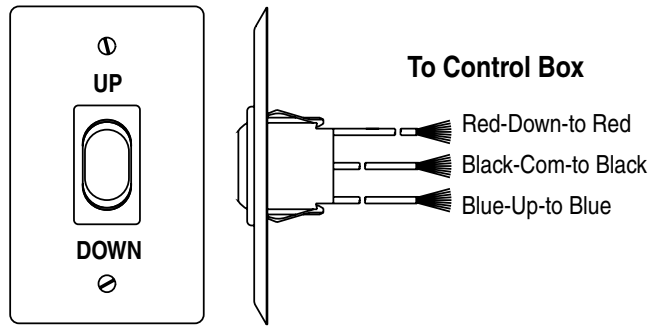
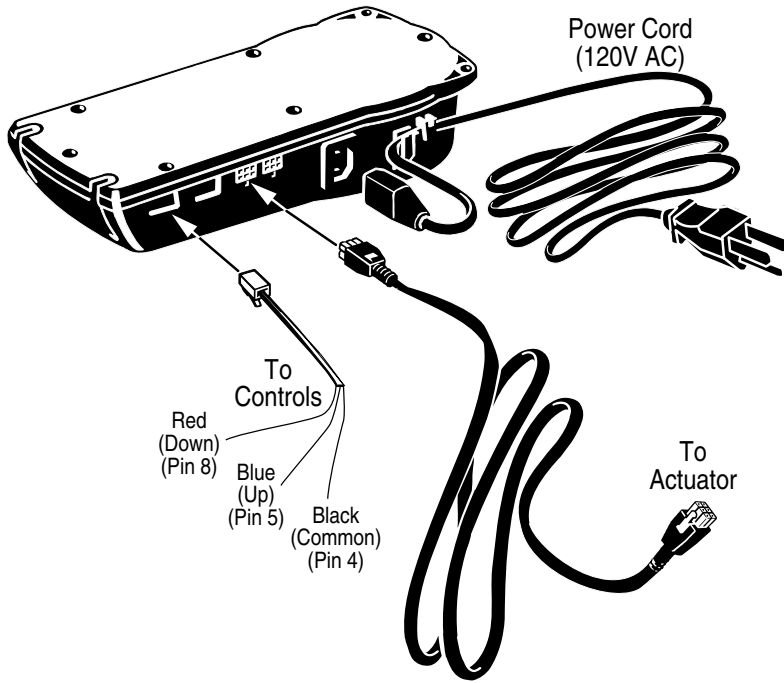
Video Conferencing Camera Lift Dimensions-Credenza



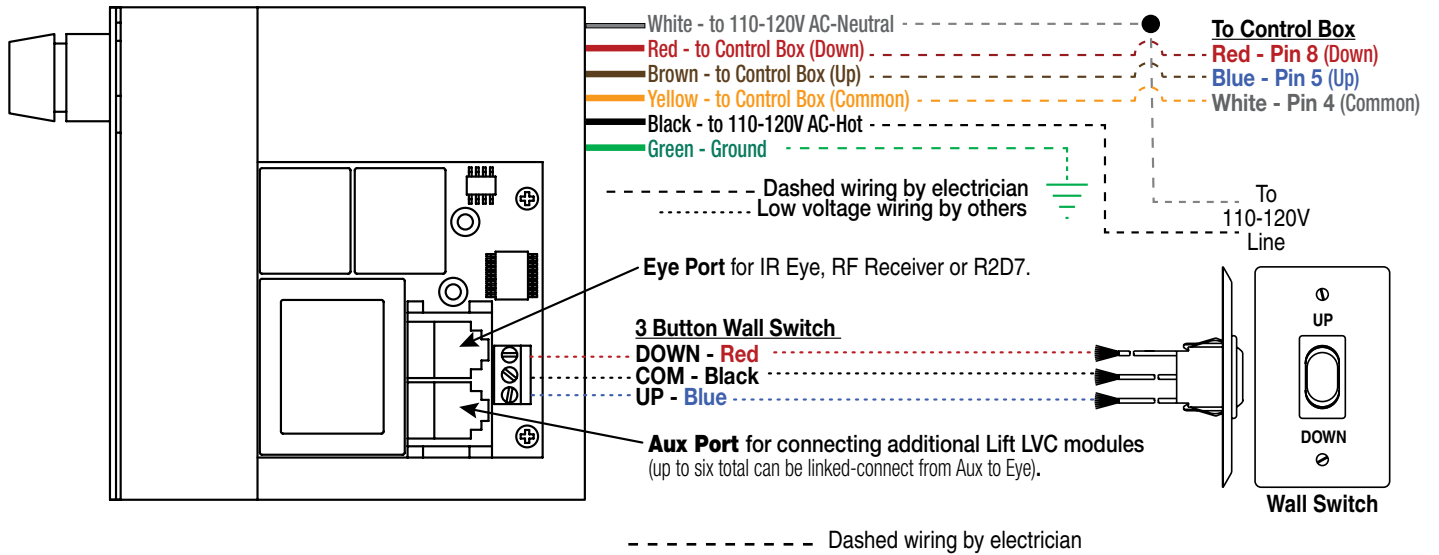
*Required opening in furnishing top is lift shelf size (width and depth) + 1/2" (12.7mm).

VCCL-Credenza Control Box

VCCL-Credenza—Standard Wall Switch (Momentary)



Wiring Diagram—External Low Voltage and Remote Control



External Serial Communication (RS232) with R2D7

