

# VCB Traveller

## Portable Video Conferencing Background

### Specifications—VCB Traveller

\_\_\_\_\_ video conferencing backgrounds, size \_\_\_\_\_ h. x \_\_\_\_\_ w., wall/ceiling mounting. Case of extruded aluminum, with black powder coat finish. Built-in carrying handle. Shoulder carrying strap also included. Spring-roller operation. Telescoping support twist locks to position screen at desired height. Warranted for one year against defects in materials and workmanship.

Specifications subject to change without notice.

### Dimensions & Data

Size	Size	Case	Case	Net Wt.	Net Wt.	
H x W (in)	HxW (cm)	Length (in)	Length (cm)	(lbs)	(kg)	Qty
92½" x 59½"	231 x 151	66"	168	22	10	
92½" x 65½"	235 x 166	72"	183	23	10.4	
92½" x 81½"	235 x 207	88"	224	24	11	

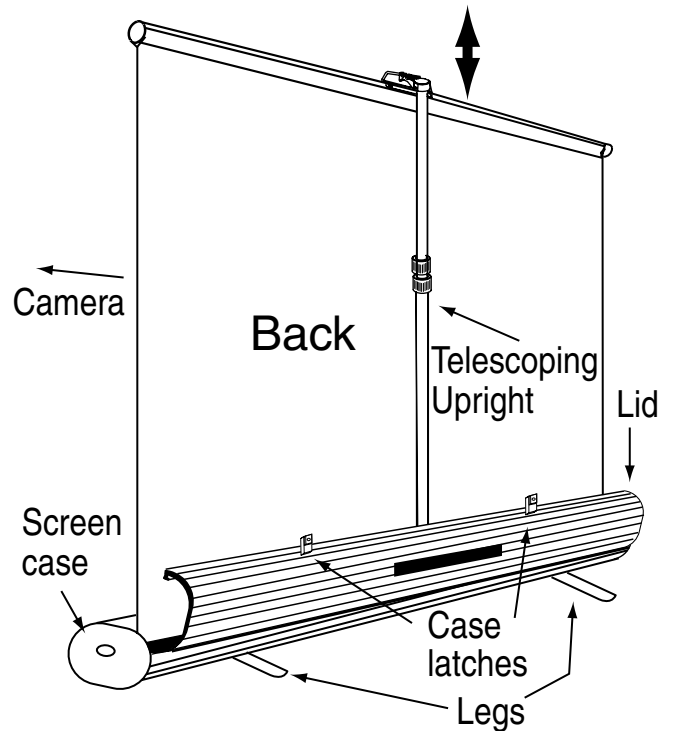
### Please Mark Appropriate Selections

#### Select Background:

- Printed (You will be required to provide additional information, including artwork, properly sized and 150 dpi. Please contact Draper)
- Chroma Key
  - Blue
  - Green

#### Optional Accessories:

- Padded Carrying Case



411 S. Pearl St., Spiceland, IN 47385 USA ■ 765-987-7999  
 www.draperinc.com ■ fax 765-987-7142  
 Copyright © 2016 Draper Inc. Form VCBTraveller\_Sub16 Printed in U.S.A.

PROJECT: _____
ARCHITECT: _____
CONTRACTOR: _____
SUPPLIER: _____
DATE: _____ REVISED: _____