

Specifications—VCB Targa

_____ video conferencing backgrounds, size _____ h. x _____ w., Electrically operated 110-120V AC, 60 Hz. 3-wire motor mounted inside screen roller, 1.1 amp draw, instantly reversible, lifetime lubricated, with internal thermal overload protector and electric brake, with preset limits. Roller to be 3" (76 mm) dia. metal, mounted on rubber insulated supports. Bottom of background attached to weighted dowel. Case of 22 gauge steel with flat back design and scratch-resistant white polyester finish. Case formed from one piece steel. Endcaps finished to match case, forming universal hanging brackets. 3-position control switch to stop or reverse unit at any point. Switch complete with coverplate. Entire unit certified by Underwriters' Laboratories, Inc. for the U.S. and Canada. Specifications subject to change without notice.

Dimensions and Data

Please Mark Appropriate Selections

Select Background:

- Printed (You will be required to provide additional information, including artwork, properly sized and 150 dpi. Please contact Draper)
- Neutral
 - Canvas
 - Chalk
 - Charcoal
 - Khaki
 - Linen
 - Pewter
 - Marine
 - Slate
- Chroma Key
 - Green

Select Motor and Controls:

Standard Voltage Motor and Control Options:

- 110-120V AC (standard)
- Optional Quiet Motor ¹

Please Note: These motors come with one 110V-120V AC 3-position wall switch (silver wall plate with black rocker)

- _____ Total number of 110-120V AC switches (operate independently)
- Substitute white switch(es) for silver wall plate with black rocker
- Optional Key Operated Switch
 - Power Supply Key Switch (On-off)
 - 3-Position Key Control
 - 3-Position Switch with Hinged Key-Locking Coverplate

Low Voltage Motor and Control Options:

- Optional External LVC-IV Low Voltage Control Module
- Optional Motor with Built-in Low Voltage Controller
- Optional Quiet Motor with Built-in Low Voltage Controller ²

Please Note: Select Control Options for Low Voltage from below.

- 24 Volt 3-Button Switch Number of 24V switches: _____
- Radio Frequency Remote Control (only with 24v)
- Infrared Remote Control (only with 24v)
- Optional Key Operated Switch
 - Power Supply Key Switch (On-off)
 - 3-Position Switch with Hinged Key-Locking Coverplate

Optional Accessories:

- Mounting Brackets
 - 6" (152 mm) Bracket
- Optional Floating Mounting Brackets (for wall and ceiling)

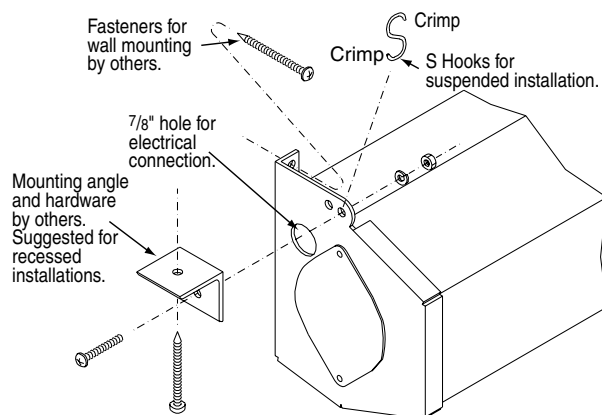
1 Quiet Motor Size Limitations							
AV (inches)	AV (cm)	NTSC (inches)	NTSC (cm)	HDTV (inches)	HDTV (cm)	16:10 (inches)	16:10 (cm)
144" x 144"	366 x 366	200"	508	184"	467	189"	480

2 Quiet Motor with Built-in Low Voltage Controller Size Limitations							
AV (inches)	AV (cm)	NTSC (inches)	NTSC (cm)	HDTV (inches)	HDTV (cm)	16:10 (inches)	16:10 (cm)
108" x 144"	274 x 366	180"	457	184"	467	165"	419

Dimensions & Data

Size H x W (inches)	Size H x W (cm)	Case Length (inches)	Case Length (kg)	Net Weight (lbs.)	Net Weight (kg)	Qty
96" x 70"	244 x 178	76½"	194	37	17	
108" x 70"	274 x 178	76½"	194	38	17	
120" x 70"	305 x 178	76½"	194	39	18	
132" x 70"	335 x 178	76½"	194	40	18	
144" x 70"	366 x 178	76½"	194	41	19	
96" x 84"	244 x 213	90½"	230	37	17	
108" x 84"	274 x 213	90½"	230	38	17	
120" x 84"	305 x 213	90½"	230	39	18	
132" x 84"	335 x 213	90½"	230	40	18	
144" x 84"	366 x 213	90½"	230	41	19	
96" x 96"	244 x 244	103"	262	45	21	
108" x 96"	274 x 244	103"	262	46	21	
120" x 96"	305 x 244	103"	262	46	21	
132" x 96"	335 x 244	103"	262	48	22	
144" x 96"	366 x 244	103"	262	49	22	
96" x 108"	244 x 274	115"	292	50	23	
108" x 108"	274 x 274	115"	292	51	23	
120" x 108"	305 x 274	115"	292	52	24	
132" x 108"	335 x 274	115"	292	53	24	
144" x 108"	366 x 274	115"	292	54	25	
96" x 120"	244 x 305	127"	323	61	28	
108" x 120"	274 x 305	127"	323	62	28	
120" x 120"	305 x 305	127"	323	63	29	
132" x 120"	335 x 305	127"	323	64	29	
144" x 120"	366 x 305	127"	323	65	30	
96" x 144"	244 x 366	151"	384	70	30	
108" x 144"	274 x 366	151"	384	71	32	
120" x 144"	305 x 366	151"	384	72	32	
132" x 144"	335 x 366	151"	384	73	33	
144" x 144"	366 x 366	151"	384	74	33	

Methods of Installation



Please Note: If using "S" Hooks, for added safety, crimp both ends of the "S" Hooks so the VCB Targa cannot come off.

PROJECT: _____

ARCHITECT: _____

CONTRACTOR: _____

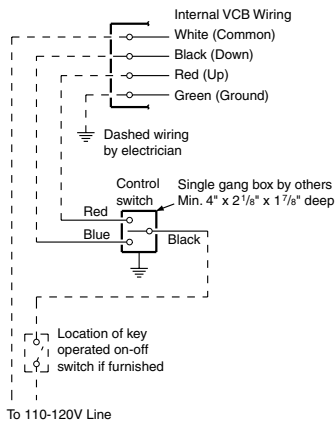
SUPPLIER: _____

DATE: _____ REVISED: _____

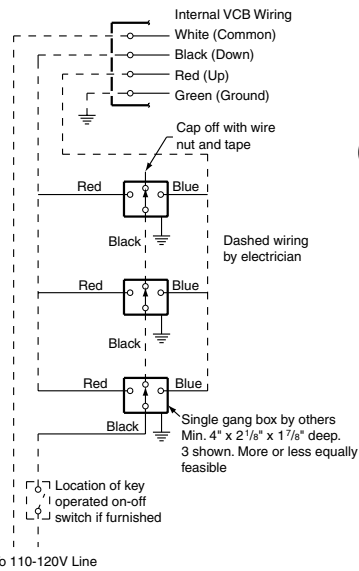
Wiring Diagrams*

110-120V Motor and Quiet Motor

Single Station Control



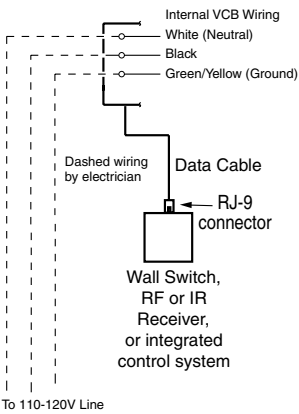
Multiple Station Control



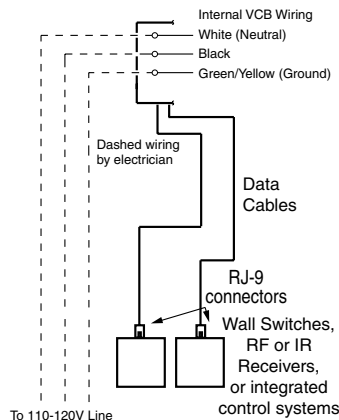
Please Note: For external low voltage (LVC-IV), serial (LVC-IV) and network (LVC-IV) wiring diagrams, please consult instructions for those modules.

110-120V Motor and Quiet Motor with Built-in Low Voltage Controller

Single Low Voltage Control

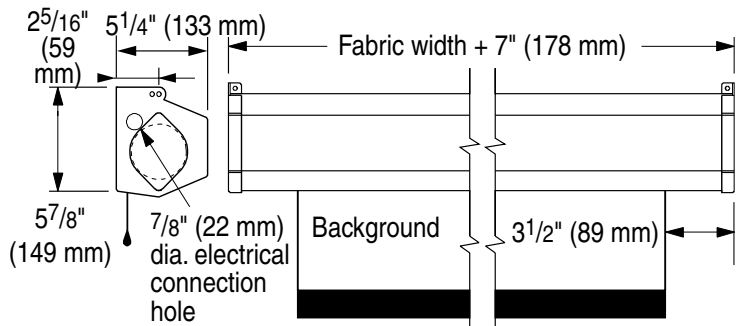


Multiple Low Voltage Controls



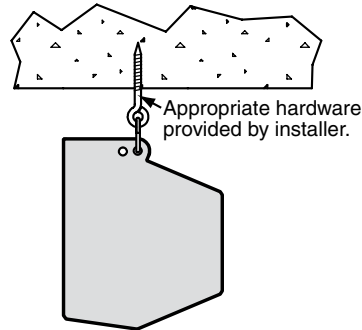
***For more information and wiring diagrams for serial and network communication, please see wiring diagrams supplied with individual items.**

Case Dimensions

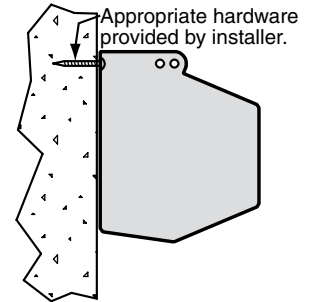


Types of Installation

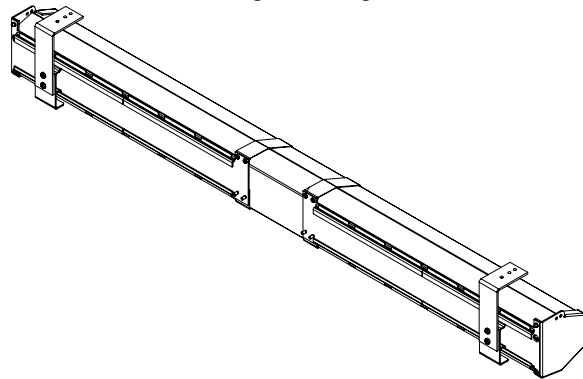
Suspended



Wall Mounted

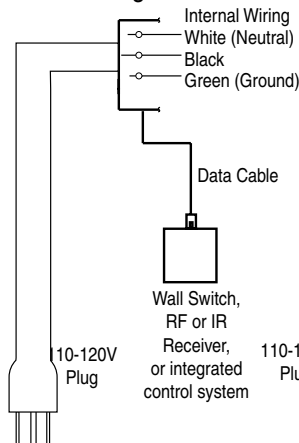


Floating Mounting Bracket

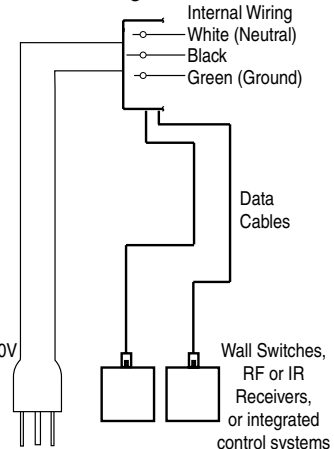


Wiring Diagrams—Plug & Play 110-120V Motor with Built-in Low Voltage Controller

Single Low Voltage Control



Multiple Low Voltage Controls



PROJECT: _____

SUPPLIER: _____

DATE: _____ REVISED: _____