

VCB Silhouette E



**Electric Video Conferencing
Background with
revolutionary case design**

Specifications—Silhouette/Series E

_____ video conferencing backgrounds, size _____
h. x _____w., wall or ceiling mounting, by Draper,
Inc., Spiceland, Indiana. Case finished (White (standard)/black/grey), free of
exposed fasteners. Back and top of extruded aluminum in L-shaped section;
front in a contoured shape. Endcaps die-cast, of rounded design, flush
with case contour. Front section easily removable for access to motor and
background. Electrically operated 60 hz., 110-120V AC, 3-wire motor mounted

inside roller, 1.1 amp draw, instantly reversible, lifetime lubricated, with
internal thermal overload protector and electric brake, with preset limits. Roller
of 2" (51 mm) dia. metal. 3-position control switch to stop or reverse screen
at any point. Switch(es) furnished with coverplate. Entire unit certified by
Underwriters' Laboratories, Inc., for the U.S. and Canada. Entire unit patented
by Draper, Inc. (U.S. Patent Nos. 5,296,964 and 6,111,694).
Specifications subject to change without notice.

Please Mark Appropriate Selections

Select Background:

- Printed (You will be required to provide additional information, including artwork, properly sized and 150 dpi. Please contact Draper)
- Neutral
 - Canvas
 - Chalk
 - Charcoal
 - Khaki
 - Linen
 - Pewter
 - Marine
 - Slate
- Chroma Key
 - Green

Select Case Color:

- White (standard)
- Black
- Grey

Select Mounting Method:

- Wall ("Z" Clips supplied)
- Ceiling (Ceiling bracket supplied)
- Extended Wall (Must be specified now and at time of order)
 - 6" (152 mm) Brackets
 - 10"-14" (254-508 mm) Brackets

Select Motor and Controls:

Standard Voltage Motor and Control Options:

- 110-120V AC (standard)
 - Optional Quiet Motor
- Please Note: These motors come with one 110V-120V AC 3-position wall switch (silver wall plate with black rocker)*
- _____ Total number of 110-120V AC switches (operate independently)
 - Substitute white switch(es) for silver wall plate with black rocker
 - Optional Key Operated Switch
 - Power Supply Key Switch (On-off)
 - 3-Position Key Control
 - 3-Position Switch with Hinged Key-Locking Coverplate

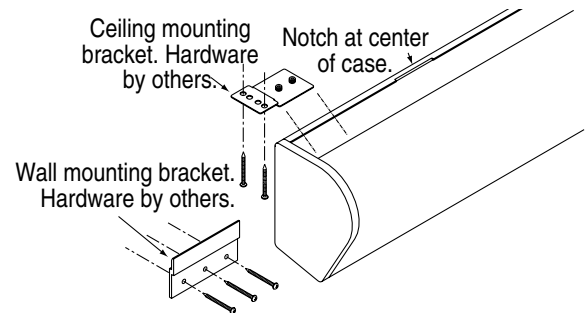
Low Voltage Motor and Control Options:

- Optional External LVC-IV Low Voltage Control Module
 - Optional Motor with Built-in Low Voltage Controller
 - Optional Quiet Motor with Built-in Low Voltage Controller
- Please Note: Select Control Options for Low Voltage from below.*
- 24 Volt 3-Button Switch Number of 24V switches: _____
 - Radio Frequency Remote Control (only with 24v)
 - Infrared Remote Control (only with 24v)
 - Optional Key Operated Switch
 - Power Supply Key Switch (On-off)
 - 3-Position Switch with Hinged Key-Locking Coverplate

Dimensions and Data

Size H x W (inches)	Size H x W (cm)	Case Length (inches)	Case Length (cm)	Net Weight (lbs)	Net Weight (kg)	Qty
70" x 70"	178 x 178	81½"	194	35	16	
84" x 70"	213 x 178	81½"	194	36	17	
96" x 70"	244 x 178	81½"	194	37	18	
70" x 84"	178 x 213	95½"	230	42	17	
84" x 84"	213 x 213	95½"	230	43	18	
96" x 84"	244 x 213	95½"	230	44	20	
70" x 96"	178 x 244	108"	262	45	21	
84" x 96"	213 x 244	108"	262	47	23	
96" x 96"	244 x 244	108"	262	52	24	

Methods of Installation



Draper, Inc. | 411 S. Pearl St. Spiceland, IN 47385
draperinc.com | 765.987.7999 | 800.238.7999

© 2018 All Rights Reserved | FORM: VCBSilhouetteE_In_Sub18

PROJECT: _____

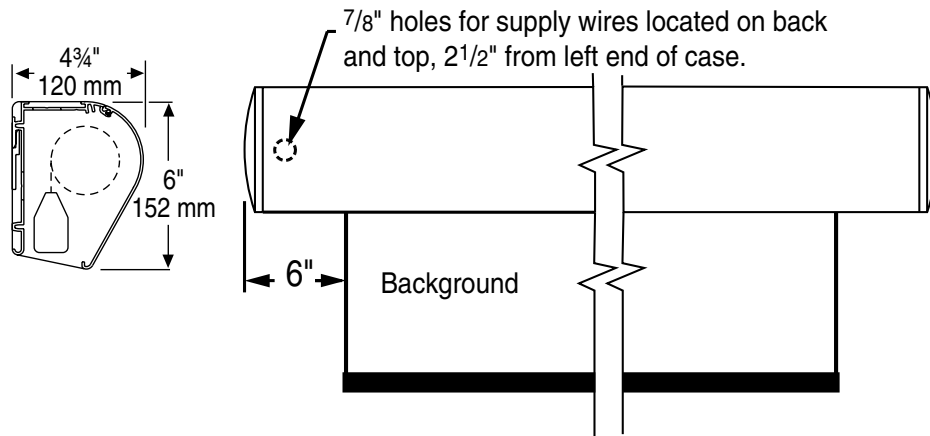
ARCHITECT: _____

CONTRACTOR: _____

SUPPLIER: _____

DATE: _____ REVISED: _____

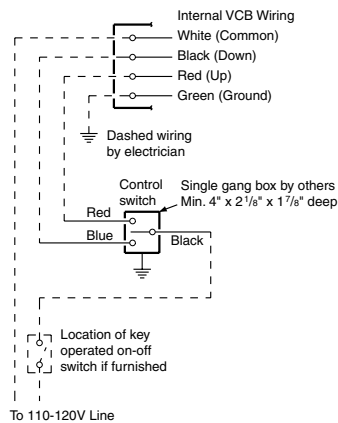
Case Dimensions



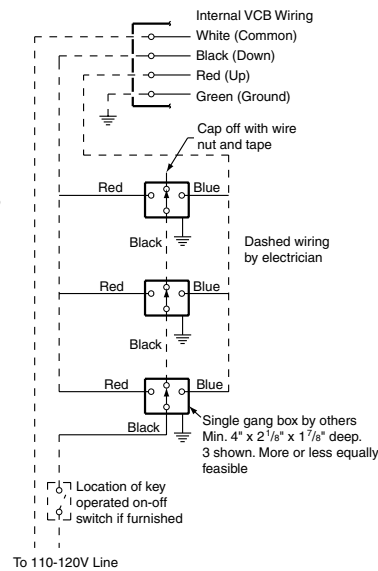
Wiring Diagrams*

110-120V Motor and Quiet Motor

Single Station Control

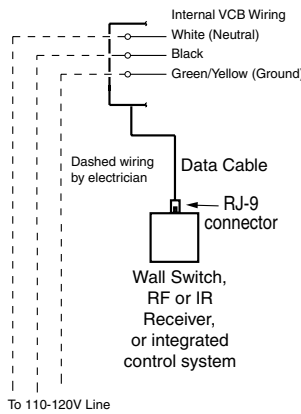


Multiple Station Control

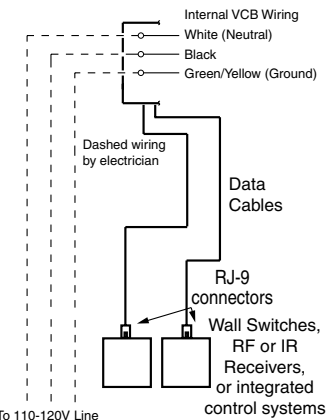


110-120V Motor and Quiet Motor with Built-in Low Voltage Controller

Single Low Voltage Control



Multiple Low Voltage Controls

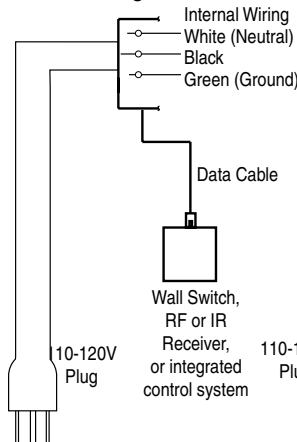


***For more information and wiring diagrams for serial and network communication, please see wiring diagrams supplied with individual items.**

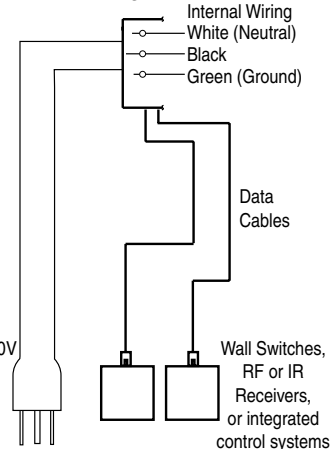
Please Note: For external low voltage (LVC-IV), serial (LVC-IV) and network (LVC-IV & LS100) wiring diagrams, please consult instructions for those modules.

Wiring Diagrams—Plug & Play 110-120V Motor with Built-in Low Voltage Controller

Single Low Voltage Control



Multiple Low Voltage Controls



PROJECT: _____

SUPPLIER: _____

DATE: _____ REVISED: _____