

VCB Artisan E



**Video Conferencing
Backgrounds in Solid
Hardwood Cases**

Please Mark Appropriate Selections

Select Background:

- Printed (You will be required to provide additional information, including artwork, properly sized and 150 dpi. Please contact Draper)
- Neutral
 - Canvas
 - Chalk
 - Charcoal
 - Khaki
 - Linen
 - Pewter
 - Marine
 - Slate
- Chroma Key
 - Green

Select Case Style:

- Traditional (Hardwood only)
- Rectilinear (Hardwood or plastic laminate)
- Radius (Hardwood only)
- Bevel (Hardwood only; add 1 1/8" [29 mm] to case height)

Select Case Finish:

Solid Hardwood

- Light Oak
- Medium Oak
- Natural Maple
- Natural Cherry
- Medium Cherry
- Walnut
- Mahogany

Plastic Laminates

- Burgundy
- Dove Grey
- Beige
- Black
- White

Select Motor:

- 110-120V AC (standard)
- Optional Quiet Motor

Please Note: This Draper motorized background comes with one 110V-120V AC 3-position wall switch (silver wall plate with black rocker)

_____ Total number of 110-120V AC switches (operate independently)

- Substitute white switch(es) for silver wall plate with black rocker
- Optional Key Operated Switch
 - Power Supply Key Switch (On-off)
 - 3-Position Key Control
 - 3-Position Switch with Hinged Key-Locking Coverplate

Low Voltage Control Options:

- Optional External LVC-IV Low Voltage Control Module
 - 24 Volt 3-Button Switch Number of 24V switches: _____
 - Radio Frequency Remote Control (only with 24v)
 - Infrared Remote Control (only with 24v)
 - Optional Key Operated Switch
 - Power Supply Key Switch (On-off)
 - 3-Position Switch with Hinged Key-Locking Coverplate

Specifications—VCB Artisan/Series E

_____ video conferencing backgrounds, size _____ h. x _____ w., Electrically operated 110-120V AC, 60 Hz. 3-wire motor mounted inside roller, 1.1 amp draw, instantly reversible, lifetime lubricated, with internal thermal overload protector and electric brake, with preset limits. Entire roller and drive assembly removal to require access through bottom of case only. Roller of 3" (76 mm) dia. metal.

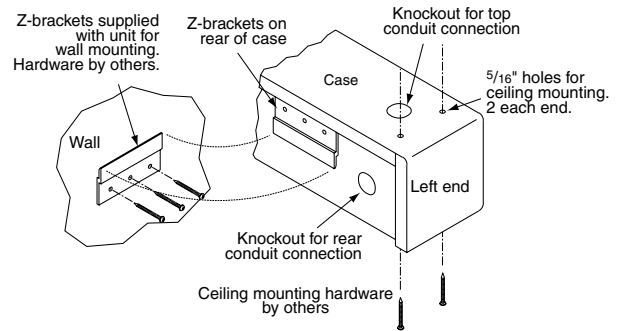
Case shall be designed for either wall or ceiling mounting, free of exposed screwheads. Wiring compartment metal lined. Bottom of case to be partially enclosed by hinged panel, to open manually. Case of select quality hardwood and styling. ALTERNATE: Case of 7/16" (11 mm) particleboard, 45 lb. (21 kg) density, covered with high pressure laminate (specify color), styling rectilinear. Three-position control switch shall stop or reverse screen at any point. Switch(es) to be furnished with coverplate. Entire unit certified by Underwriters' Laboratories, Inc. for the United States and Canada.

Specifications subject to change without notice.

Dimensions and Data

Size H x W (inches)	Size HxW (cm)	Case Length (inches)	Case Length (cm)	Net Weight (lbs)	Net Weight (kg)	Qty
70" x 70"	178 x 178	82"	208	65	30	
84" x 70"	213 x 178	82"	208	66	30	
96" x 70"	244 x 178	82"	208	67	31	
70" x 84"	178 x 213	96"	244	68	31	
84" x 84"	213 x 213	96"	244	69	31	
96" x 84"	244 x 213	96"	244	70	32	
70" x 96"	178 x 244	108"	274	73	33	
84" x 96"	213 x 244	108"	274	78	35	
96" x 96"	244 x 244	108"	274	80	36	

Methods of Installation



PROJECT: _____

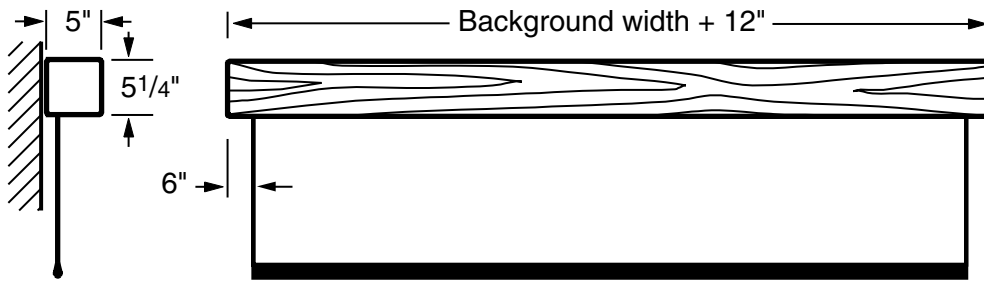
ARCHITECT: _____

CONTRACTOR: _____

SUPPLIER: _____

DATE: _____ REVISED: _____

Case Dimensions

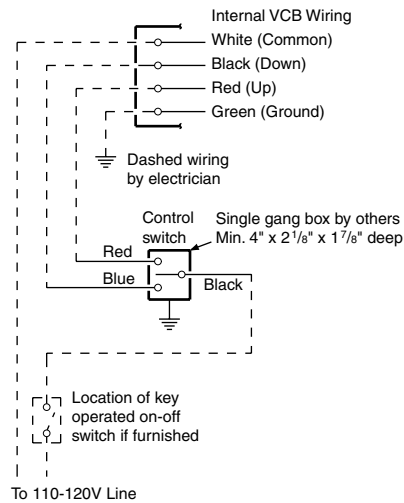


NOTE: Add 1 1/8" (29 mm) to case height for bevel style.

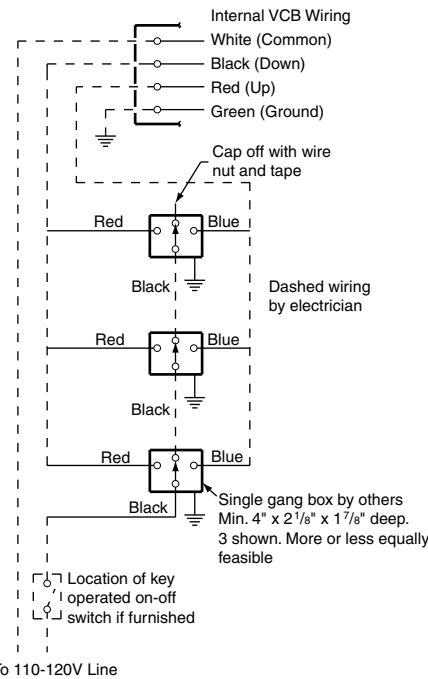
Wiring Diagrams*

110-120V Motor and Quiet Motor

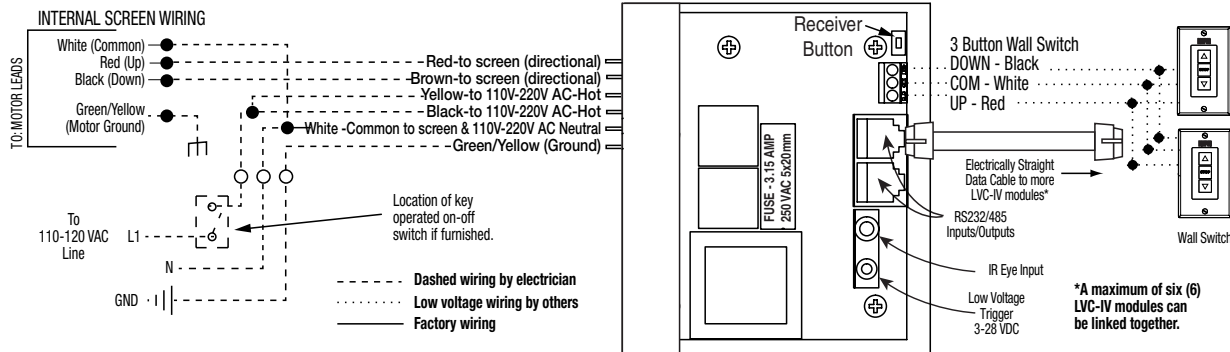
Single Station Control



Multiple Station Control



Low Voltage, IR Remote, RF Remote, Serial or Network Control (LVC-IV)



*** For more information and wiring diagrams for low voltage multiple motors and network communication, please see wiring diagrams supplied with individual items.**

PROJECT: _____

SUPPLIER: _____

DATE: _____ REVISED: _____