

VCB Access XL E



Specifications—VCB Access XL E

Projection screens, size _____ h. x _____ w., for recessed ceiling mounting. Case back, top, and front constructed of steel. Endcaps are steel. Bottom panel forms slot for passage of viewing surface, easily removable for access. Housing to allow for left or right-hand motor location and for viewing surface to unroll from the back or front of the roller. Housing to include bottom flange for trim around edges of ceiling opening. Case may be mounted with 3/8" threaded rod, or with 3/8" lag screws through mounting brackets. Mounting brackets slide in 18" long channels on top of case, allowing brackets to be moved to avoid interference with conflicting building structures. Brackets must be locked in position by tightening screws. Brackets may also be angled to meet installation requirements.



Roller/fabric assembly installed in case at factory. Brackets supporting roller/fabric assembly to slide in track inside top of case, allowing viewing surface to be centered in case regardless of screen size. Roller of 5" dia. metal. Viewing surface flame and mildew resistant. Matt White XT1000E viewing surface are certified to GREENGUARD standards for low chemical emissions into indoor air during product usage. For more information, visit ul.com/gg. Electrically operated 110-120V AC, 60 Hz. 4-wire motor mounted inside screen roller, max 2.1 amp current draw, instantly reversible, lifetime lubricated, with internal thermal overload protector and electric brake, standard motor with preset accessible switches. Housing to feature internal junction box, allowing it to be installed and wired to building supply wires at an early stage of construction. Junction box to have plug-in style connector, accepting the mating half of the connector from the motorized roller/fabric assembly. 3-position control switch (or switches—specify number) to stop or reverse screen at any point. Switch(es) furnished with cover plate. Patented by Draper, Inc. For more information, visit <http://www.draperinc.com/legal/patents/>. Entire unit certified by Underwriters' Laboratories for the U.S. and Canada. Plenum rated case (UL approved "Suitable for Use in Environmental Air Space"). Specifications subject to change without notice.

Please Mark Appropriate Selections

Select Case Color:

- White (standard)
- Black (optional)

Select Background:

- Printed (You will be required to provide additional information, including artwork, properly sized and 150 dpi. Please contact Draper)
- Neutral
 - Canvas
 - Chalk
 - Charcoal
 - Khaki
 - Linen
 - Pewter
 - Marine
 - Slate
- Chroma Key
 - Blue
 - Green

Select Motor and Controls:

Standard Voltage Motor and Control Options:

- 110-120V AC (standard)

Please Note: This motor comes with one 110V-120V AC 3-position wall switch (silver wall plate with black rocker).

- Total number of 110-120V AC switches (operate independently)
- Substitute white switch(es) for silver wall plate with black rocker
- Optional Key Operated Switch
 - Power Supply Key Switch (On-off)
 - 3-Position Key Control
 - 3-Position Switch with Hinged Key-Locking Coverplate

Low Voltage Motor and Control Options:

- Internal LVC-IV (Low Voltage Control Module)
- External LVC-IV (Low Voltage Control Module)
- Motor with Built-In Low Voltage Controller

Please Note: Select Control Options for Low Voltage from below.

- 24 Volt 3-Button Switch Number of 24V switches: _____
- Radio Frequency Remote Control (only with 24v)
- Infrared Remote Control (only with 24v)
- Optional Key Operated Switch
 - Power Supply Key Switch (On-off)
 - 3-Position Switch with Hinged Key-Locking Coverplate

Optional Video Interface Control (not compatible with other controls)

- VIC-115 Override Switch Override Switch
- VIC-12 Override Switch } not available if
- VIC-6 Override Switch } VIC is built-in.

(VICs are compatible only with the Override Switch, and not with any other wall switches or controls)

Select Motor Location:

- Left end (standard) (fabric will roll off the back of the roller)
- Right end (fabric will roll off the front of the roller)

Optional Accessories:

- Additional set of mounting brackets for alternate mounting (see page 2)
- Extra Drop
 - Select color of viewing surface or black _____
 - Length of total drop—see grid at right) _____
- Black Masking Borders (Optional on AV format, standard on all others)

Dimensions & Data

Nominal Diagonal	Image Area	Overall Size	Case Length ¹	Net Wt. (lbs.)	Qty.
16:10 Format					
255"	135" x 216"	140" x 220"	233¾"	260	
278"	147½" x 236"	152½" x 240"	253¾"	284	
HDTV Format (16:9)					
248"	121½" x 216"	126½" x 220"	233¾"	256	
270"	133" x 236"	138½" x 240"	253¾"	279	
NTSC Video Format (4:3)					
250"	148" x 198"	153" x 202"	215¾"	246	
270"	162" x 216"	167" x 220"	233¾"	250	
295"	177" x 236"	182" x 240"	253¾"	271	
Size H x W			Case Length ¹	Net Wt. (lbs.)	Qty.
Audio Visual Format					
16' x 16'			205¾"	240	
13'6" x 18'			229¾"	246	
18' x 18'			229¾"	256	
8' x 20'			253¾"	256	
15' x 20'			253¾"	272	
20' x 20'			253¾"	283	
Custom Size					

¹ Includes 1" flange on each end of case. Subtract 1½" for rough ceiling cutout size.



Draper, Inc. | 411 S. Pearl St. Spiceland, IN 47385
draperinc.com | 765.987.7999 | 800.238.7999

© 2018 All Rights Reserved | FORM: VCB_AccessXLE_Sub18

PROJECT: _____

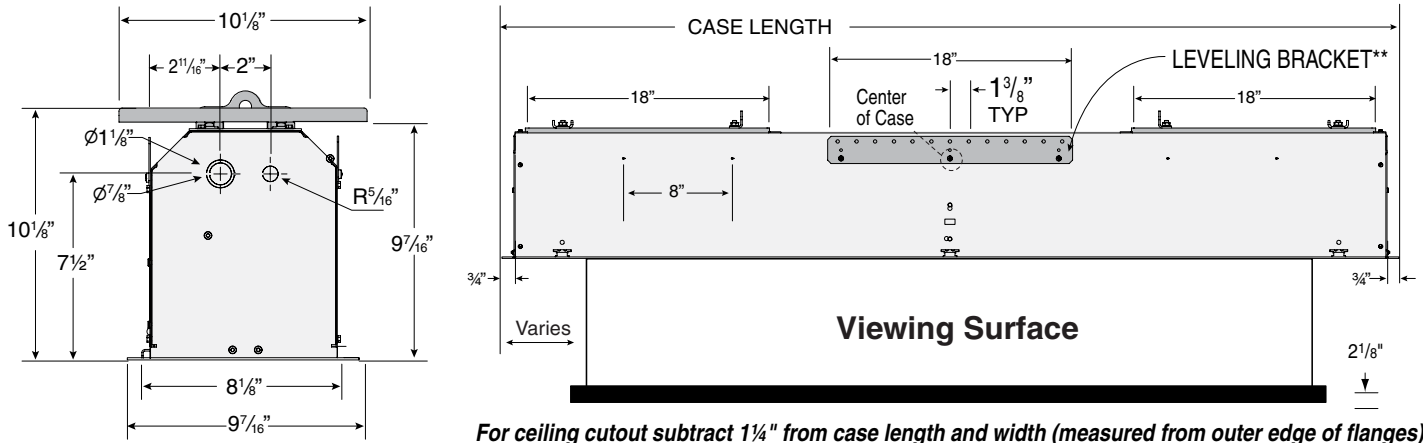
ARCHITECT: _____

CONTRACTOR: _____

SUPPLIER: _____

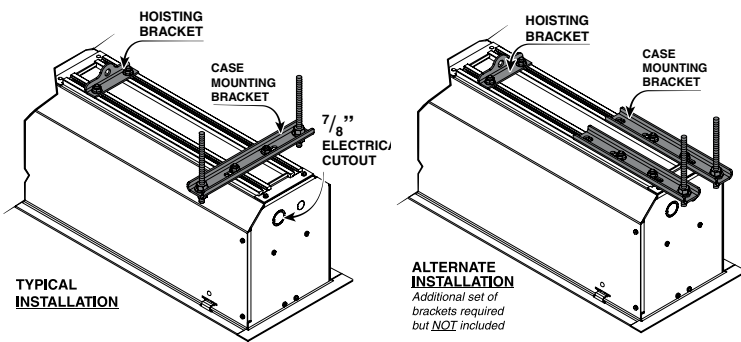
DATE: _____ REVISED: _____

Case Dimensions and Methods of Installation

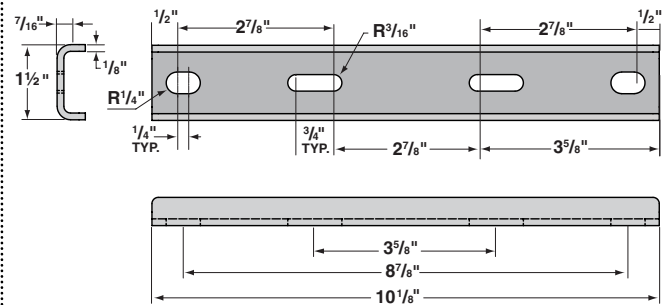


For ceiling cutout subtract 1/4" from case length and width (measured from outer edge of flanges).

Ceiling Mounting Bracket Locations and Configurations



Mounting Bracket Dimensions

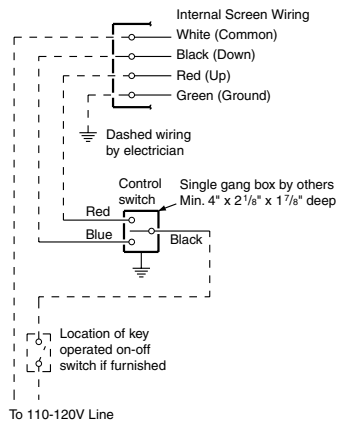


With typical installation, brackets may be angled to meet installation requirements.

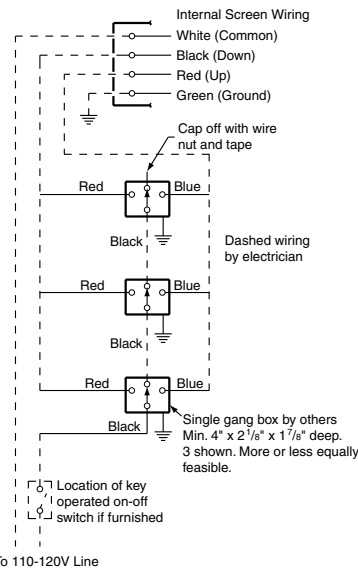
Wiring Diagrams*

110-120V Motor

Single Station Control



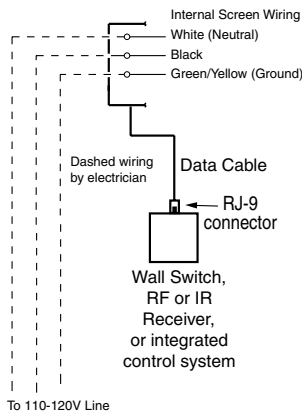
Multiple Station Control



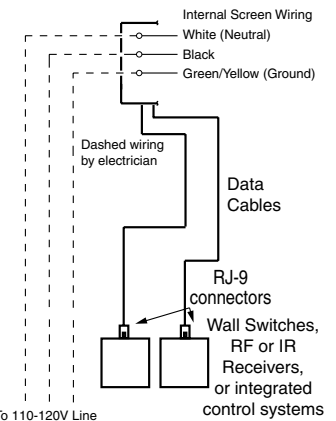
110-120V Motor

with Built-in Low Voltage Controller

Single Low Voltage Control



Multiple Low Voltage Controls



* For more information and wiring diagrams for serial and network communication, please see wiring diagrams supplied with individual items.

Please Note: For external low voltage (LVC-IV), serial (LVC-IV) and network (LVC-IV & LS100) wiring diagrams, please consult instructions for those modules.

PROJECT: _____

SUPPLIER: _____

DATE: _____ REVISED: _____