

# Ultimate Access XL V

XL tab-tensioned electric screen with motorized closure

Please check all appropriate selections and attach room schedule with verified dimensions.

### Select Case Color:

- White (standard)
- Black (optional)

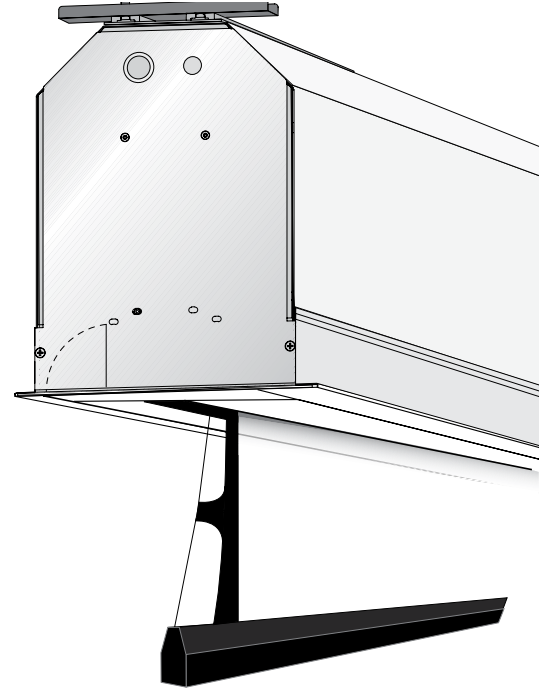
### Select Motor:

- 110-120V AC (standard)

**Please Note:** This motorized screen comes with one 110V-120V AC 3-position wall switch (silver wall plate with black rocker).

### Select Control Options:

- \_\_\_\_\_ Total number of 110-120V AC switches (switches operate independently)
- Substitute white switch(es) for silver wall plate with black rocker
- Optional Low Voltage Control Module (for LVC-IV)
  - Factory install LVC-IV inside case?  Yes  No
  - 24 Volt 3-Button Switch Number of 24V switches:
  - Radio Frequency Remote Control (only with 24V)
  - Infrared Remote Control (only with 24V)
  - Video Interface Control
- Optional Key Operated Switch
  - Power Supply Key Switch (On-off)
  - 3-Position Key Control
  - 3-Position Switch with Hinged Key-Locking Coverplate



## Specifications

Projection screens, size \_\_\_\_\_ h. x \_\_\_\_\_ w., for recessed ceiling mounting. Electrically operated 60 Hz., 110-120 v AC, 5-wire motor mounted inside screen roller, instantly reversible, lifetime lubricated, with internal thermal overload protector and electric brake with preset limits. Case finished white. Case is constructed of steel, except side trim flanges and access door are aluminum. Endcaps are stamped steel. Bottom of case consists of an independently motorized trap door that opens up inside the screen case. The trap door and the access door both hinge downward to allow access to inside of screen case. The doors remain attached to the screen case via a concealed full-length hinge. Releasing latches at the center and each end of screen case allows the doors to hinge downward and a prop arm at each end may be pivoted to engage with endcaps, keeping the door assembly in its fully open position. Internal junction box allows case to be installed and pre-wired to building supply. Junction box to have two plug-in style connectors, mating with connectors from motorized roller/fabric assembly and motorized door assembly. Case flange to trim edges of ceiling opening. Case may be mounted with 3/8" threaded rod, or with 3/8" lag screws through mounting brackets. Mounting brackets slide in 18" long channels on top of case, allowing brackets to be moved to avoid interference with conflicting building structures. Brackets must be locked in position by tightening screws. Brackets may also be angled to meet installation requirements.

Roller/fabric assembly installed in case at factory. Brackets supporting roller/fabric assembly to slide in track inside top of case, allowing viewing surface to be centered in case regardless of screen size. Roller of 5" or 7" nominal dia. metal. 3-position control switch to stop or reverse screen at any point. Switch (es) furnished with cover plate.

Viewing surface with black masking borders. Each side of surface to have tab-guide cable system for even lateral tension and flat surface. Bottom of surface supported and masked by black extruded aluminum dowel weighted to apply proper vertical tension. Top of surface masked by 12" black drop. Viewing surface flame and mildew resistant. Matt White XT1000V and Grey XH600V viewing surfaces are certified to GREENGUARD standards for low chemical emissions into indoor air during product usage. For more information, visit [ul.com/gg](http://ul.com/gg).

Entire unit certified by Underwriters' Laboratories, Inc. for the U.S. and Canada. Plenum rated case (UL approved "Suitable for Use in Environmental Air Space").

**PATENT INFORMATION:** available at [www.draperinc.com/legal/patents](http://www.draperinc.com/legal/patents)  
**DOWNLOADABLE 3-PART SPECIFICATIONS:** available at [www.draperinc.com](http://www.draperinc.com).

**Please note:** Dimensions of rollers, operators and hardware at manufacturer's discretion.



Draper, Inc. | 411 S. Pearl St. Spiceland, IN 47385  
draperinc.com | 765.987.7999 | 800.238.7999

© 2019 All Rights Reserved | FORM: UltimateAccessXLV\_Sub19

PROJECT: \_\_\_\_\_

ARCHITECT: \_\_\_\_\_

CONTRACTOR: \_\_\_\_\_

SUPPLIER: \_\_\_\_\_

DATE: \_\_\_\_\_ REVISED: \_\_\_\_\_

# Ultimate Access XL V

XL tab-tensioned electric screen with motorized closure

## Select Viewing Surface:

- Matt White XT1000V (1.0 gain) (GREENGUARD Gold certified)
- Matt White XT1000VB (1.0 gain) (GREENGUARD Gold certified)
- Grey XH600V (0.6 gain) (Thru 9' x 12') (GREENGUARD Gold certified)
- Pure White XT1300V (1.3 gain): Optional
- TECVISION** (Premium Optical Surface)
  - XH700X Grey (0.7 gain) Certified
  - XH800X UST ALR (0.8 gain) Certified
  - XH900X ALR (0.9 gain) Certified
  - MS1000X ALR (1.7 gain) Certified
  - CS1000X ALR (1.0 gain) Certified
  - XT1000X White (1.0 gain) Certified
  - XT1100X White (1.1 gain) Certified
  - CS1200X ALR (1.2 gain) Certified
  - XT1300X White (1.3 gain) Certified
  - XT1600X White (1.6 gain) Certified
  - XT1800X White (1.8 gain) Certified
  - XH700X Grey NanoPerf (0.7 gain) Certified
  - XH900X ALR NanoPerf (0.9 gain) Certified
  - MS1000X ALR NanoPerf (1.0 gain) Certified
  - XT1000X White NanoPerf (1.0 gain) Certified
  - XT1100X White NanoPerf (1.1 gain) Certified
  - XT1300X White NanoPerf (1.3 gain) Certified
  - XT1600X White NanoPerf (1.6 gain) Certified
- Rear Projection Surface: Optional \_\_\_\_\_
- Other \_\_\_\_\_

## Optional Accessories:

- Additional set of mounting brackets for alternate mounting)
- Additional Drop<sup>1</sup>
- Total Drop \_\_\_\_\_  
(Standard 12" + Additional drop) (Total screen height cannot exceed 19')
  - Black (standard)
  - Same color as viewing surface

<sup>1</sup> Extra drop may increase overall case and dowel length.  
Contact Draper if dimension is critical.

## Dimensions & Data

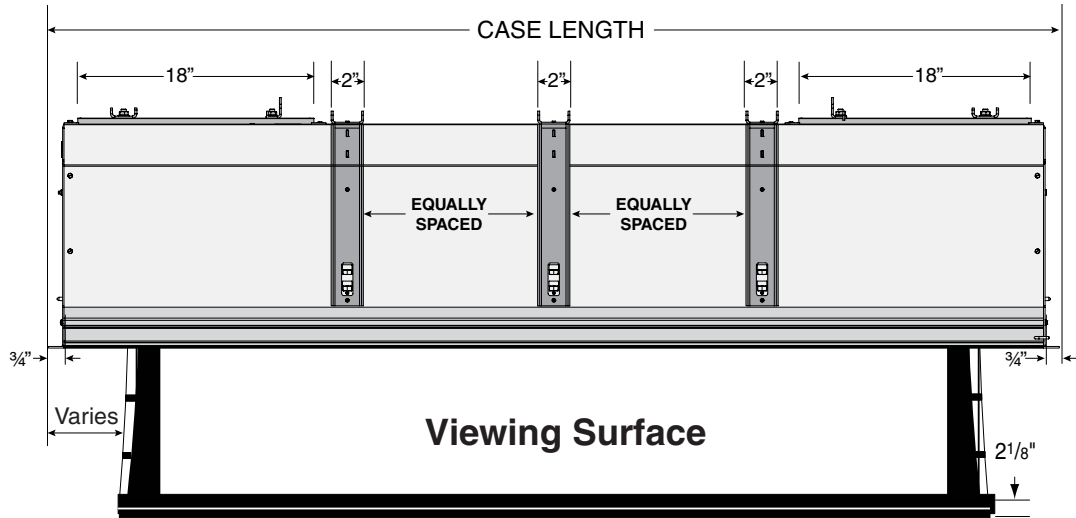
Nominal Diagonal	Image Area	Case Length <sup>2</sup>	Dowel Length	Net Wt. (lbs.)	Qty.
<b>16:10 Format</b>					
189"	100" x 160"	186 <sup>3</sup> / <sub>8</sub> "	174 <sup>3</sup> / <sub>8</sub> "	249	
198"	105" x 168"	195 <sup>1</sup> / <sub>4</sub> "	182 <sup>7</sup> / <sub>8</sub> "	313	
226"	120" x 192"	220 <sup>7</sup> / <sub>8</sub> "	208 <sup>1</sup> / <sub>2</sub> "	330	
234"	124" x 198"	226 <sup>7</sup> / <sub>8</sub> "	214 <sup>1</sup> / <sub>2</sub> "	357	
255"	135" x 216"	246 <sup>5</sup> / <sub>8</sub> "	234 <sup>1</sup> / <sub>4</sub> "	390	
278"	147" x 236"	270 <sup>1</sup> / <sub>8</sub> "	254 <sup>1</sup> / <sub>4</sub> "	422	
307"	162" x 260"	296 <sup>1</sup> / <sub>8</sub> "	280 <sup>1</sup> / <sub>4</sub> "	462	
<b>HDTV Format (16:9)</b>					
184"	90" x 160"	186 <sup>3</sup> / <sub>4</sub> "	174 <sup>3</sup> / <sub>8</sub> "	250	
193"	94 <sup>1</sup> / <sub>2</sub> " x 168"	194 <sup>3</sup> / <sub>4</sub> "	182 <sup>3</sup> / <sub>8</sub> "	273	
220"	108" x 192"	219 <sup>1</sup> / <sub>4</sub> "	192 <sup>1</sup> / <sub>2</sub> "	284	
227"	111" x 198"	225 <sup>1</sup> / <sub>4</sub> "	212 <sup>7</sup> / <sub>8</sub> "	352	
248"	121 <sup>1</sup> / <sub>2</sub> " x 216"	244 <sup>7</sup> / <sub>8</sub> "	232 <sup>1</sup> / <sub>2</sub> "	385	
270"	133" x 236"	270 <sup>1</sup> / <sub>8</sub> "	254 <sup>1</sup> / <sub>4</sub> "	417	
300"	146" x 260"	294 <sup>1</sup> / <sub>8</sub> "	278 <sup>1</sup> / <sub>4</sub> "	457	
<b>NTSC Video Format (4:3)</b>					
200"	118" x 158"	186 <sup>7</sup> / <sub>8</sub> "	174 <sup>5</sup> / <sub>8</sub> "	282	
210"	126" x 168"	196 <sup>7</sup> / <sub>8</sub> "	184 <sup>1</sup> / <sub>2</sub> "	331	
220"	132" x 176"	204 <sup>7</sup> / <sub>8</sub> "	192 <sup>1</sup> / <sub>2</sub> "	339	
230"	138" x 184"	214 <sup>5</sup> / <sub>8</sub> "	201 <sup>3</sup> / <sub>4</sub> "	346	
240"	144" x 192"	222 <sup>5</sup> / <sub>8</sub> "	210 <sup>1</sup> / <sub>4</sub> "	351	
250"	148" x 198"	228 <sup>5</sup> / <sub>8</sub> "	216 <sup>1</sup> / <sub>4</sub> "	362	
270"	162" x 216"	248 <sup>5</sup> / <sub>8</sub> "	236 <sup>1</sup> / <sub>4</sub> "	395	
24' 7"	177" x 236"	274 <sup>1</sup> / <sub>4</sub> "	257 <sup>7</sup> / <sub>8</sub> "	428	
27' 6"	194" x 260"	300 <sup>1</sup> / <sub>2</sub> "	284 <sup>5</sup> / <sub>8</sub> "	477	
<b>Size H x W</b>		<b>Case Length<sup>2</sup></b>	<b>Dowel Length</b>	<b>Net Wt. (lbs.)</b>	<b>Qty.</b>
<b>Audio Visual Format</b>					
10' 6" x 14'		196 <sup>7</sup> / <sub>8</sub> "	184 <sup>1</sup> / <sub>2</sub> "	331	
14' x 14'		202 <sup>3</sup> / <sub>4</sub> "	190 <sup>3</sup> / <sub>8</sub> "	341	
12' x 16'		220 <sup>7</sup> / <sub>8</sub> "	208 <sup>1</sup> / <sub>2</sub> "	355	
16' x 16'		228 <sup>5</sup> / <sub>8</sub> "	216 <sup>5</sup> / <sub>8</sub> "	376	
13' 6" x 18'		248 <sup>5</sup> / <sub>8</sub> "	236 <sup>1</sup> / <sub>4</sub> "	397	
18' x 18'		258 <sup>3</sup> / <sub>8</sub> "	242 <sup>1</sup> / <sub>2</sub> "	417	
15' x 20'		278 <sup>1</sup> / <sub>4</sub> "	262 <sup>3</sup> / <sub>8</sub> "	437	
11' x 22'		296 <sup>3</sup> / <sub>8</sub> "	280 <sup>1</sup> / <sub>2</sub> "	457	
16' 6" x 22'		306 <sup>3</sup> / <sub>8</sub> "	290 <sup>1</sup> / <sub>2</sub> "	487	
<b>Custom Size</b>					

<sup>2</sup> Includes 1" flange on each end of case. Subtract 1<sup>1</sup>/<sub>2</sub>" for rough ceiling cutout size.

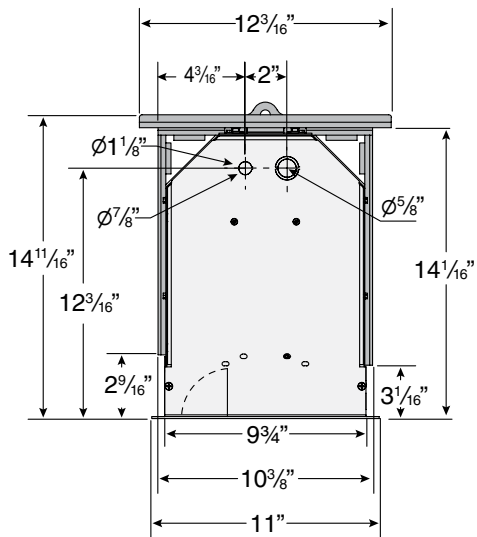
# Ultimate Access XL V

XL tab-tensioned electric screen with motorized closure

## Case Dimensions and Methods of Installation

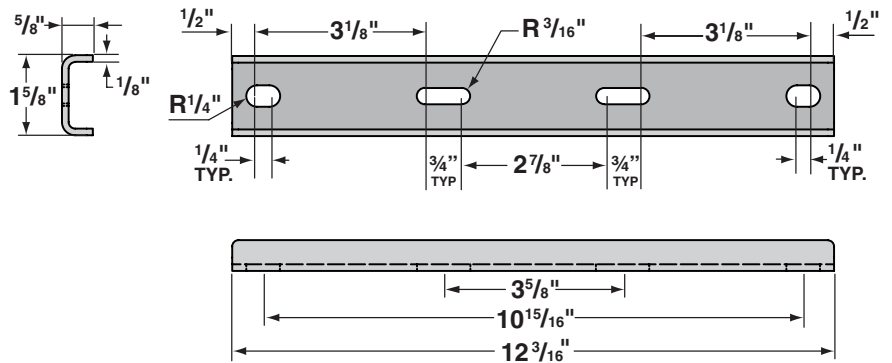


For ceiling cutout subtract 1 1/2" from case length (measured from outer edge of flanges).

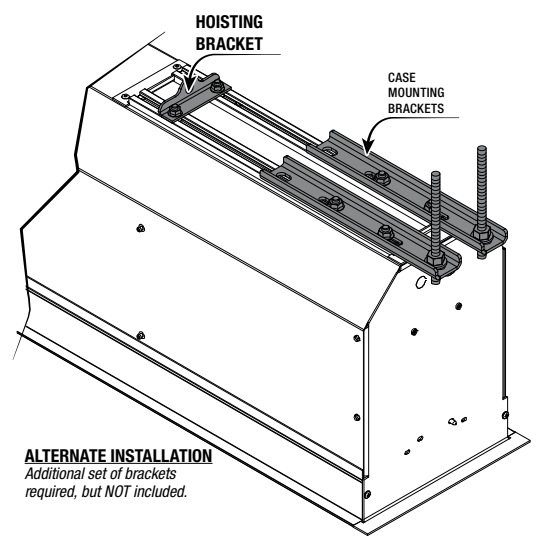
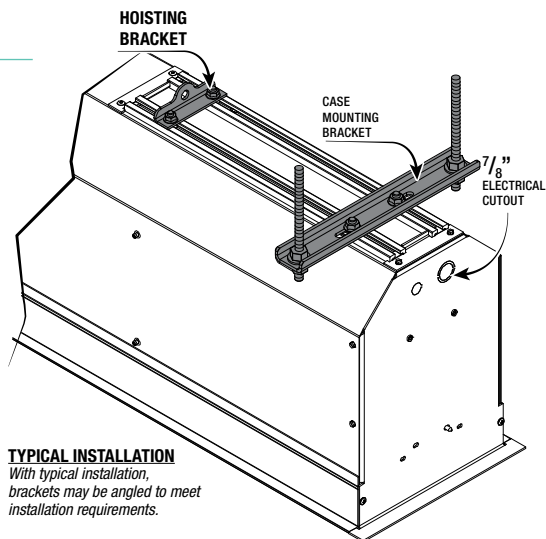


Standard Motor Wiring is on the AUDIENCE LEFT END of Ultimate Access Case.

### Mounting Brackets Dimensions

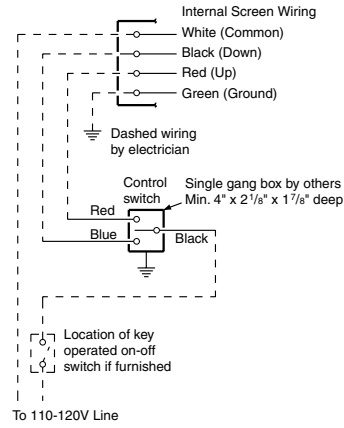


### Installation Options

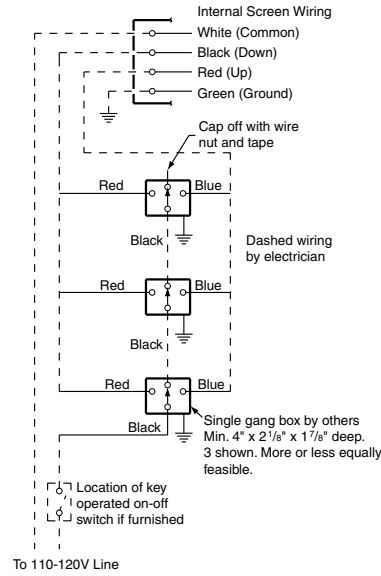


## 110-120V Motor

### Single Station Control

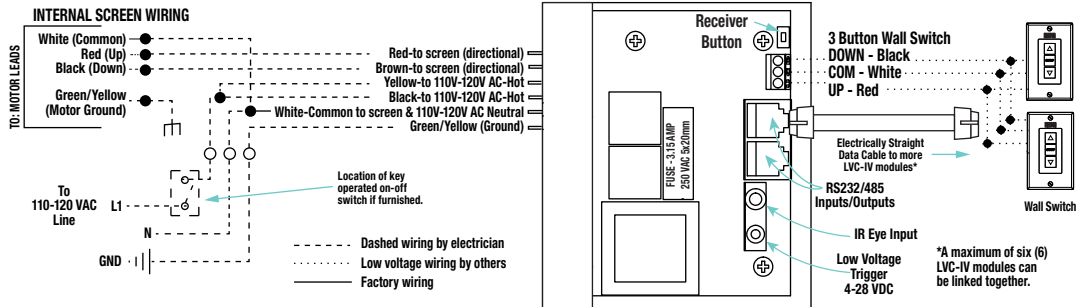


### Multiple Station Control



### Low Voltage, IR Remote, RF Remote, Serial or Network Control (LVC-IV)

### External LVC-IV - Single or Multiple Projection Screen Wiring Diagram



**Please Note:** For serial (LVC-IV) and network (LVC-IV & LS101) wiring diagrams, please consult instructions for those modules.

For more information and wiring diagrams for serial and network communication, please see wiring diagrams supplied with individual items.

PROJECT: \_\_\_\_\_

SUPPLIER: \_\_\_\_\_

DATE: \_\_\_\_\_ REVISED: \_\_\_\_\_