

Ultimate Access XL E

XL electric screen with motorized closure

SUBMITTAL
TECHNICAL INFO

Please check all appropriate selections and attach room schedule with verified dimensions.

Specifications

QUANTITY: _____ **SIZE:** _____ h. x _____ w.

Projection screens, recessed ceiling mounted. Electrically operated 60 Hz., 110-120V AC, 5-wire motor mounted inside screen roller, instantly reversible, lifetime lubricated, with internal thermal overload protector, and electric brake with preset limits. Case finished in white. Case constructed of steel, except side trim flanges and access door are aluminum. Endcaps are stamped steel. Bottom of case consists of an independently motorized trap door that opens upward inside the screen case. The trap door and the access door both hinge downward to allow access to inside of the screen case. The doors remain attached to the screen case via a concealed full-length hinge. Releasing latches at the center and each end of screen case allows the doors to hinge downward. A prop arm at each end may be pivoted to engage with endcaps, keeping the door assembly in its fully open position. Internal junction box allows case to be installed and pre-wired to building supply. Junction box to have two plug-in style connectors, mating with connectors from motorized roller/fabric assembly and motorized door assembly. Case flange to trim edges of the ceiling opening. Case may be mounted with $\frac{3}{8}$ " (9.5mm) threaded rod through mounting brackets. Mounting brackets slide in 18" (45.7cm) long channels on top of case, allowing brackets to be moved to avoid interference with conflicting building structures. Brackets must be locked in position by tightening screws. In typical installations, mounting brackets may be angled to meet installation requirements.

Roller/fabric assembly installed in case at factory. Brackets supporting roller/fabric assembly to slide in track inside top of case, allowing viewing surface to be centered in case regardless of screen size. Roller of 5" (12.7) or 7" (17.8cm) nominal dia. metal. 3-position control switch to stop or reverse screen at any point. Switch(es) furnished with cover plate.

Viewing surface to be flame and mildew resistant. Bottom of viewing surface enclosed in dowel. Matt White XT1000E and Contrast Grey XH800E viewing surfaces are certified to GREENGUARD standards for low chemical emissions into indoor air during product usage. For more information, visit ul.com/gg.

Entire unit certified by Underwriters' Laboratories, Inc. for the U.S. and Canada. Plenum rated case (UL approved "Suitable for Use in Environmental Air Space"). Patented by Draper, Inc.

Please Note: Matt White XT1000E surfaces up to 10' (3m) high will be seamless. 3-position control switch to stop or reverse screen at any point. Switch(es) furnished with cover plate.

DOWNLOADABLE 3-PART SPECIFICATIONS: available at www.draperinc.com

Please note: Dimensions of rollers, operators, and hardware at manufacturer's discretion.

Select Case Color

- White (standard)
- Black (optional)

Select Motor Location

- Left end (standard)
- Right end

Select Viewing Surface

- Matt White XT1000E
- Contrast Grey XH800E
- ClearSound White Weave XT900E
- ClearSound Grey Weave XH600E



Draper, Inc. | 411 S. Pearl St. Spiceland, IN 47385
draperinc.com | 765.987.7999 | 800.238.7999

© 2020 All Rights Reserved | FORM: UltimateAccessXLE_Sub20

PROJECT: _____

ARCHITECT: _____

CONTRACTOR: _____

SUPPLIER: _____

DATE: _____ **REVISED:** _____

Select Motor:

- 110-120V AC (standard)

Please Note: This motorized screen comes with one 110V-120V AC 3-position wall switch (silver wall plate with black rocker).

Select Control Options:

- _____ Total number of 110-120V AC switches
(switches operate independently)
- Substitute white switch(es) for silver wall plate with black rocker
- Optional Low-Voltage Control Module (LVC-IV)
 - Factory install LVC-IV inside case? Yes No
(Video Interface Control included within LVC-IV.)
- 24 Volt 3-Button Switch Number of 24V switches: _____
 - Radio Frequency Remote Control (only with LVC-IV)
 - Infrared Remote Control (only with LVC-IV)
 - Video Interface Control (part of LVC-IV)
- Optional Key Operated Switch
 - Power Supply Key Switch (on-off)
 - 3-Position Key Control
 - 3-Position Switch with Hinged Key-Locking Coverplate

Select Additional Options

- Additional set of mounting brackets for alternate mounting
(see page 3)
- Black Masking Borders
(Optional on AV format, standard on all others)
- Extra Drop
Length of Total Drop: _____
(Maximum black drop is 84" (2.13m) or total height of 19' (5.8m), whichever is first.)
- Drop Color:
 - Black (standard)
 - Same color as viewing surface

Dimensions and Data

16:10 Format

Nominal Diagonal	Image Area	Overall Size	Case Length ¹	Net Wt. (lbs.)	Qty.
189"	100" x 160"	105" x 164"	177¾"	276	
198"	105" x 168"	110" x 172"	185¾"	286	
222"	117½" x 188"	122" x 192"	205¾"	308	
255"	135" x 216"	140" x 220"	233¼"	355	
278"	147½" x 236"	152½" x 240"	257¼"	402	
307"	162½" x 260"	167½" x 264"	281¼"	446	

HDTV Format (16:9)

Nominal Diagonal	Image Area	Overall Size	Case Length ¹	Net Wt. (lbs.)	Qty.
184"	90" x 160"	95" x 164"	177¾"	276	
193"	94½" x 168"	99½" x 172"	185¾"	281	
220"	106" x 188"	111" x 192"	205¾"	307	
248"	121½" x 216"	126½" x 220"	233¼"	355	
270"	133" x 236"	138½" x 240"	257¼"	402	
300"	146" x 260"	151" x 264"	281¼"	446	

NTSC Video Format (4:3)

Nominal Diagonal	Image Area	Overall Size	Case Length ¹	Net Wt. (lbs.)	Qty.
200"	118" x 158"	123" x 162"	175¾"	276	
210"	126" x 168"	131" x 172"	185¾"	281	
220"	132" x 176"	137" x 180"	193¾"	296	
230"	138" x 184"	143" x 188"	201¾"	301	
240"	141" x 188"	146" x 192"	205¾"	307	
250"	148" x 198"	153" x 202"	215¾"	283	
270"	162" x 216"	167" x 220"	233¾"	305	
24' 4"	177" x 236"	182" x 240"	257¼"	334	
27' 6"	194" x 260"	198" x 264"	281¼"	373	

Audio Visual Format

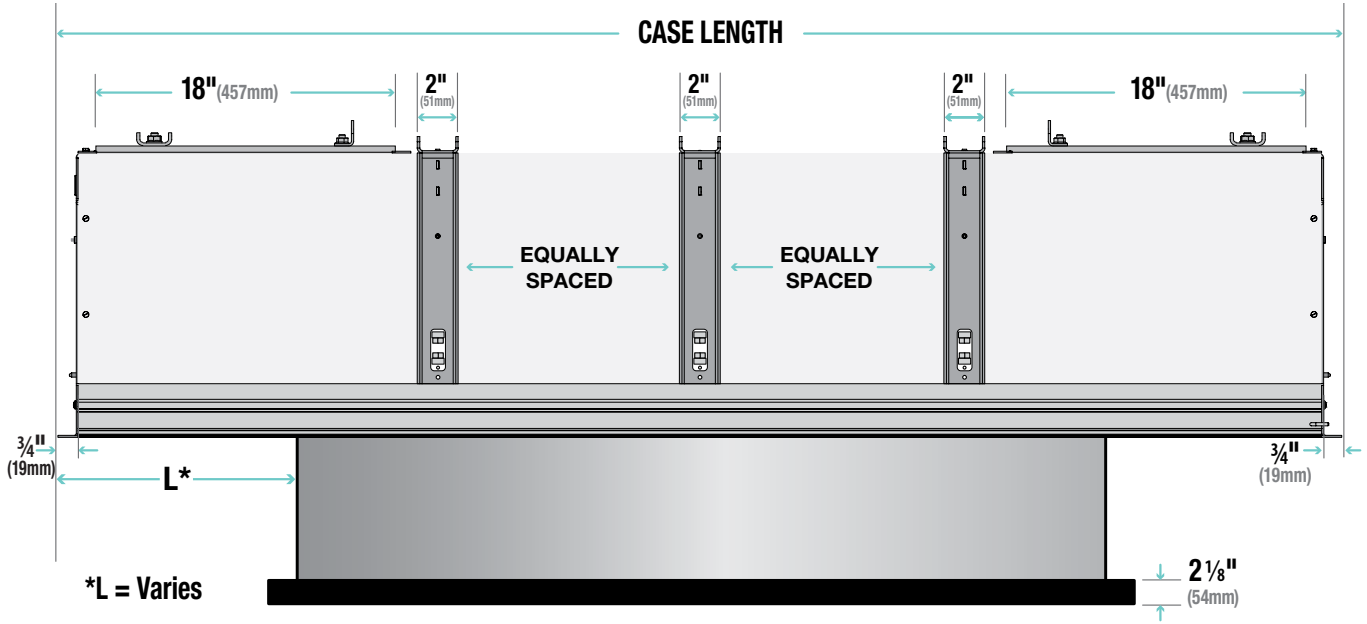
Size (H x W)	Case Length ¹	Net Wt. (lbs.)	Qty.
14' x 14'	181¾"	283	
12' x 16'	205¾"	295	
16' x 16'	205¾"	307	
13' 6" x 18'	229¾"	366	
18' x 18'	233¼"	427	
8' x 20'	253¾"	488	
15' x 20'	257¼"	481	
20' x 20'	257¼"	412	
11' x 22'	281¼"	446	
16' 6" x 22'	281¼"	456	

Custom Size (available up to 168" x 168")

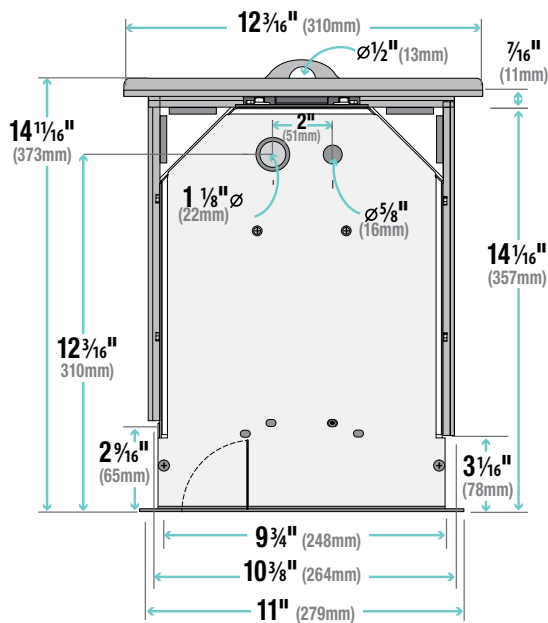
Size (H x W)	Case Length ¹	Net Wt. (lbs.)	Qty.

¹ Includes ¾" (19 mm) flange on each end of case. Subtract 1 ¼" (32 mm) for rough ceiling cutout size.

Case Dimensions and Methods of Installation

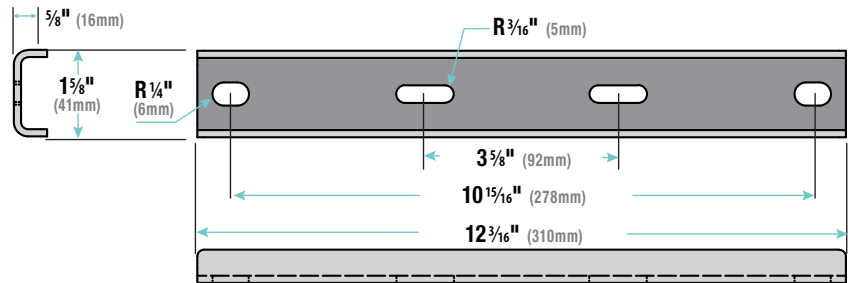


- For minimum length of ceiling cutout: subtract 1/4" (32mm) from case length (measured from outer edge of flanges).
- For minimum width of cutout (front to back): see case width dimensions below.
- **Leveling brackets are used to level the case and should NOT be used to support the weight of the unit.
- The leveling brackets are riveted to the side of the case. Hardware used for leveling provided by others.

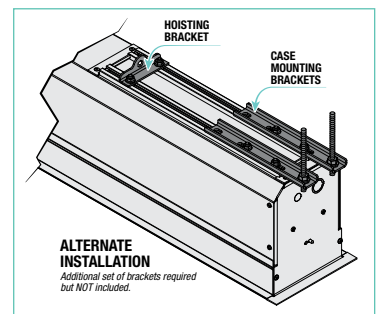
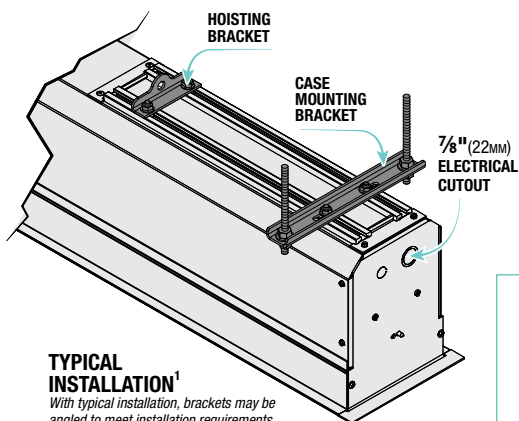


Standard Motor Wiring is on the AUDIENCE LEFT END of Screen Case.

Mounting Brackets Dimensions

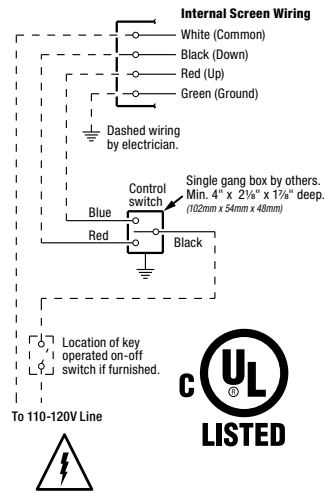


Installation Options



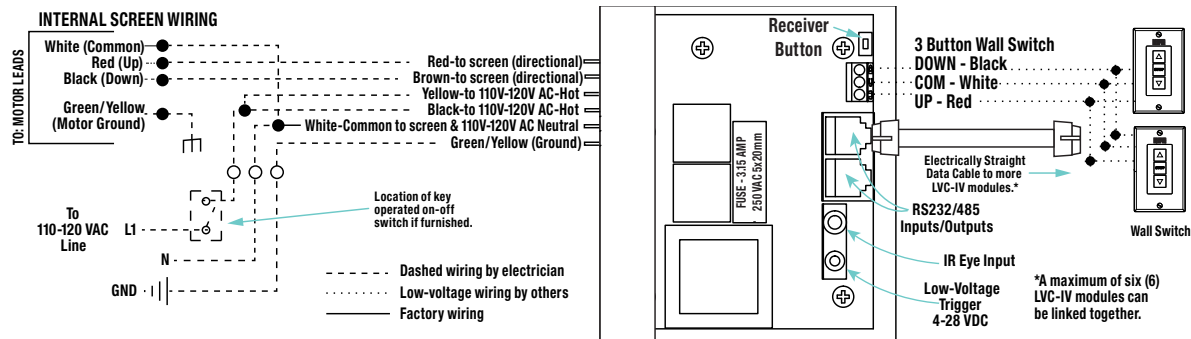
Please Note: Extra brackets must be ordered for alternate installation.

110-120V Motor Single Station Control



Please Note: For serial (LVC-IV) and network (LVC-IV) wiring diagrams, please consult instructions for those modules.

External LVC-IV - Single or Multiple Projection Screen Wiring Diagram



² For more information and wiring diagrams for serial and network communication, please see wiring diagrams supplied with individual items.

PROJECT: _____

ARCHITECT: _____

CONTRACTOR: _____

SUPPLIER: _____

DATE: _____ REVISED: _____