

# Ultimate Access V

Motorized trap door opens into the case

**SUBMITTAL**  
TECHNICAL INFO

Please check all appropriate selections and attach room schedule with verified dimensions.

## Specifications

QUANTITY: \_\_\_\_\_ SIZE: \_\_\_\_\_ h. x \_\_\_\_\_ w.

Projection screens, recessed ceiling mounted. Electrically operated 60 Hz., 110-120V AC, 5-wire motor mounted inside screen roller, instantly reversible, lifetime lubricated, with internal thermal overload protector, and electric brake with preset limits. Case finished in white. Case constructed of steel, except side trim flanges and access doors are aluminum. Endcaps are stamped steel. Bottom of case consists of an independently motorized trap door that opens upward inside the screen case. The trap door and the access door both hinge downward to allow access to inside of screen case. The doors remain attached to the screen case via a concealed full-length hinge. Releasing latches at the center and each end of the screen case allow the doors to hinge downward. A prop arm at each end may be pivoted to engage with endcaps, keeping the door assembly in its fully open position. Internal junction box allows case to be installed and pre-wired to building supply. Junction box to have two plug-in style connectors, mating with connectors from motorized roller/fabric assembly and motorized door assembly. Case flange to trim edges of the ceiling opening. Case may be mounted with 3/8" (9.5 mm) threaded rod, or 3/8" (9.5 mm) lag screws through mounting brackets. Mounting brackets slide in 18" (457 mm) long channels on top of case, allowing brackets to be moved to avoid interference with conflicting building structures. Brackets must be locked in position by tightening screws. In typical installations, mounting brackets may be angled to meet installation requirements.

Roller/fabric assembly may be installed in case at factory or job site. Brackets supporting roller/fabric assembly to slide in track inside top of case, allowing viewing surface to be centered in case regardless of screen size. Roller of 3" (76 mm) nominal dia. metal. 3-position control switch to stop or reverse screen at any point. Switch (es) furnished with cover plate.

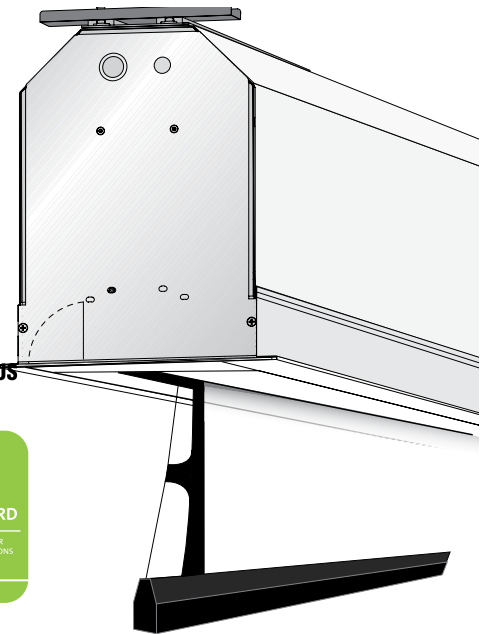
Viewing surface with black masking borders. Each side of surface to have tab-guide cable system for even lateral tension and flat surface. Bottom of surface supported and masked by black extruded aluminum dowel weighted to apply proper vertical tension. Top of surface masked by 12" (305 mm) black drop. Viewing surface flame and mildew resistant. Matt White XT1000V and Grey XH600V viewing surfaces are certified to GREENGUARD standards for low chemical emissions into indoor air during product usage.

For more information, visit [ul.com/gg](http://ul.com/gg).

Entire unit certified by Underwriters' Laboratories, Inc. for the U.S. and Canada. Plenum rated case (UL approved "Suitable for Use in Environmental Air Space").

DOWNLOADABLE 3-PART SPECIFICATIONS: available at [www.draperinc.com](http://www.draperinc.com)

Please note: Dimensions of rollers, operators, and hardware at manufacturer's discretion.



### Select Shipping Option

- Case Now, Screen Assembly Later
- Complete Unit Now

### Select Case Color

- White (standard)
- Black (optional)

### Select Motor Location

- Left end (standard)
- Right end

### Select Additional Options

- Additional set of mounting brackets for alternate mounting (see page 2)
- Extra Drop  
Length of Total Drop: \_\_\_\_\_  
(Total screen height cannot exceed 12'(366cm))
- Drop Color:
  - Black (standard)
  - Same color as viewing surface

**Please Note:** Extra drop increases case and dowel length. Specify at time of order and contact Draper if this dimension is critical. Includes 3/4" (19 mm) flange on each end of case. Subtract 1 1/4" (32 mm) for rough ceiling cutout size.

### Select Viewing Surface:

#### OptiFlex (Tensioned screen surface)

- Black Backed Matt White XT1000VB (1.0 gain) (GREENGUARD Gold Certified)
- Grey XH600V (0.6 gain) (GREENGUARD Gold Certified)
- Pure White XT1300V (1.3 gain)

#### CineFlex (Rear/Dual Projection)

- CineFlex White CH1200V (1.2 gain)
- CineFlex White XT700V (0.7 gain)
- Rear Projection Surface (optional): \_\_\_\_\_

- Other: \_\_\_\_\_

### TECVISION® Premium Optical Surface

- XH700X Grey (0.7 gain) Certified
- XH800X UST ALR (0.8 gain) Certified
- XH900X ALR (0.9 gain) Certified
- MS1000X ALR (1.7 gain) Certified
- CS1000X ALR (1.0 gain) Certified
- XT1000X White (1.0 gain) Certified
- XT1100X White (1.1 gain) Certified
- CS1200X ALR (1.2 gain) Certified
- XT1300X White (1.3 gain) Certified
- XT1600X White (1.6 gain) Certified
- XT1800X White (1.8 gain) Certified
- XH700X Grey NanoPerf (0.7 gain) Certified
- XH900X ALR NanoPerf (0.9 gain) Certified
- MS1000X ALR NanoPerf (1.0 gain) Certified
- XT1000X White NanoPerf (1.0 gain) Certified
- XT1100X White NanoPerf (1.1 gain) Certified
- XT1300X White NanoPerf (1.3 gain) Certified
- XT1600X White NanoPerf (1.6 gain) Certified
- XT1800X White NanoPerf (1.8 gain) Certified



Draper, Inc. | 411 S. Pearl St. Spiceland, IN 47385  
draperinc.com | 765.987.7999 | 800.238.7999

© 2020 All Rights Reserved | FORM: UltimateAccessV\_Sub20

PROJECT: \_\_\_\_\_

ARCHITECT: \_\_\_\_\_

CONTRACTOR: \_\_\_\_\_

SUPPLIER: \_\_\_\_\_

DATE: \_\_\_\_\_ REVISED: \_\_\_\_\_

## Select Motor and Controls

- 110-120V AC (standard)
- Optional Quiet Motor
- Control Options (for Standard and Quiet 110-120V AC motor):

**Please Note:** This Draper motorized screen comes with one 110V-120V AC 3-position wall switch (silver wall plate with black rocker).

- \_\_\_\_\_ Total number of 110-120V AC switches  
(switches operate independently)
- Substitute white switch(es) for silver wall plate with black rocker
  - Optional Low-Voltage Control Module (LVC-IV)
  - Factory install LVC-IV inside case?  Yes  No  
(Video Interface Control included within LVC-IV.)
  - 24 Volt 3-Button Switch Number of 24V switches: \_\_\_\_\_
    - Radio Frequency Remote Control (only with 24V)
    - Infrared Remote Control (only with 24V)
  - Optional Key Operated Switch
  - Power Supply Key Switch (on-off)
  - 3-Position Key Control
  - 3-Position Switch with Hinged Key-Locking Coverplate

## Dimensions and Data

### 16:10 Format

Nominal Diagonal	Image Area	Case Length <sup>1</sup>	Dowel Length	Net Wt. (lbs.)	Qty.
94"	50" x 80"	103 3/8"	90 7/8"	103	
109"	57 1/2" x 92"	116 3/8"	103 7/8"	130	
113"	60" x 96"	120 3/8"	107 3/4"	130	
123"	65" x 104"	128 3/8"	115 7/8"	135	
137"	72 1/2" x 116"	141 1/2"	128 7/8"	137	
165"	87 1/2" x 140"	167	154 3/8"	155	

### HDTV Format (16:9)

Nominal Diagonal	Image Area	Case Length <sup>1</sup>	Dowel Length	Net Wt. (lbs.)	Qty.
92"	45" x 80"	103 3/8"	90 7/8"	103	
100"	49" x 87"	110 3/8"	97 7/8"	118	
106"	52" x 92"	115 3/8"	102 7/8"	130	
110"	54" x 96"	120 3/8"	107 7/8"	130	
119"	58" x 104"	128 3/8"	115 7/8"	135	
133"	65" x 116"	140 3/8"	127 7/8"	137	
161"	79" x 140"	165 1/2"	152 7/8"	155	

### NTSC Video Format (4:3)

Nominal Diagonal	Image Area	Case Length <sup>1</sup>	Dowel Length	Net Wt. (lbs.)	Qty.
6'	42 1/2" x 56 1/2"	79 7/8"	67 3/8"	87	
7'	50" x 66 1/2"	89 7/8"	77 3/8"	99	
100"	60" x 80"	104 3/8"	91 7/8"	106	
10'	72" x 96"	121 1/2"	108 3/4"	134	
11'	78" x 104"	129 1/2"	116 7/8"	140	
150"	87" x 116"	143	130 3/8"	142	
15'	108" x 144"	171 1/2"	158 3/4"	160	

### Audio Visual Format

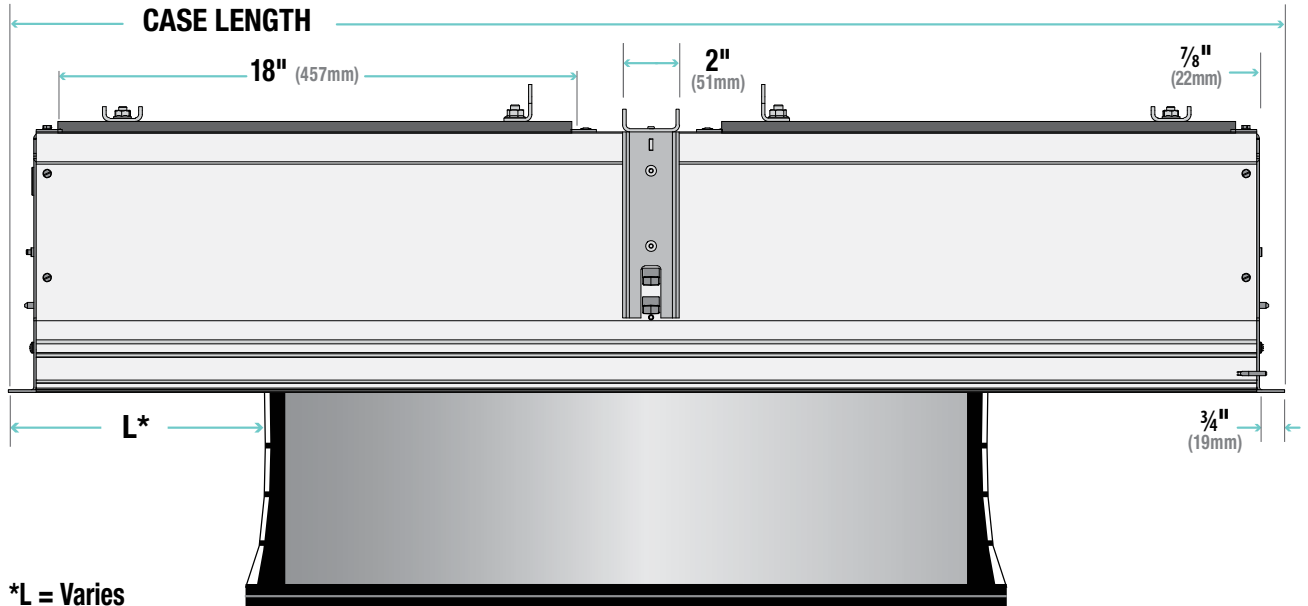
Size (H x W)	Case Length <sup>1</sup>	Dowel Length	Net Wt. (lbs.)	Qty.
50" x 50"	73 3/8"	60 7/8"	84	
60" x 60"	84 3/8"	71 7/8"	96	
70" x 70"	95 1/2"	82 7/8"	100	
84" x 84"	109 1/2"	96 7/8"	108	
72" x 96"	121 1/2"	108 7/8"	134	
96" x 96"	123	110 3/8"	135	
7' x 9'	133 1/2"	120 7/8"	138	
9' x 9'	135 1/2"	122 7/8"	139	
8' x 10'	147	134 3/8"	144	
10' x 10'	149.125	136 3/8"	158	
9' x 12'	171 1/2"	158 7/8"	160	
12' x 12'	174 7/8"	162 3/8"	176	

### Custom Size (available up to 168" x 168")

--	--	--	--

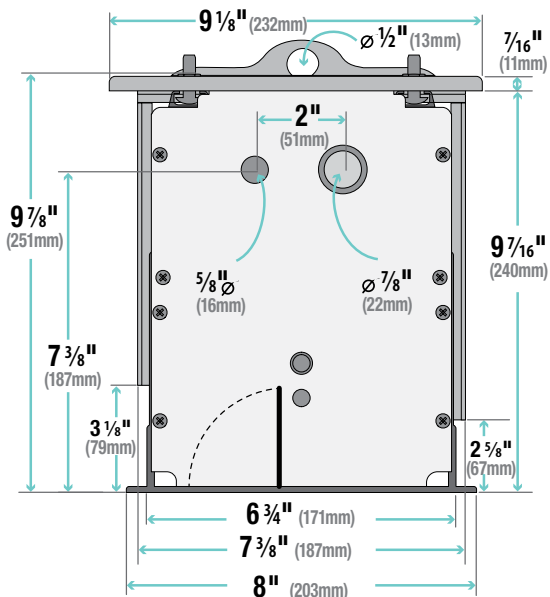
<sup>1</sup> Includes 3/4" (19 mm) flange on each end of case. Subtract 1 1/4" (32 mm) for rough ceiling cutout size.

## Case Dimensions and Methods of Installation



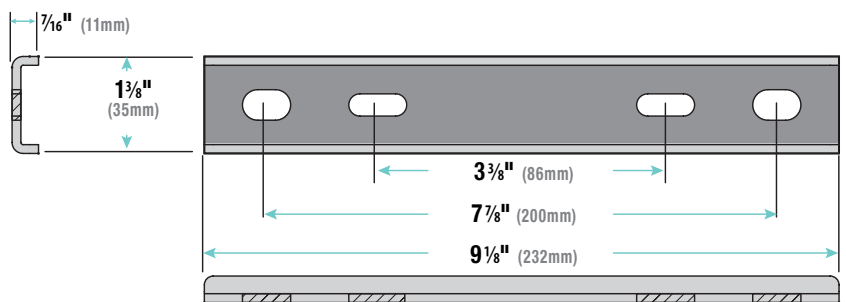
\*L = Varies

- For minimum length of ceiling cutout: subtract 1/4" (32mm) from case length (measured from outer edge of flanges).
- For minimum width of cutout (front to back): see case width dimensions below.
- \*\*Leveling bracket is used to level the case and should NOT be used to support the weight of the unit.
- The leveling bracket is screwed to the side of the case. Hardware used for leveling provided by others.
- There are several knock-outs in the screen housing to allow the Leveling Bracket to be adjusted laterally up to 16" (40.6cm) in either direction.

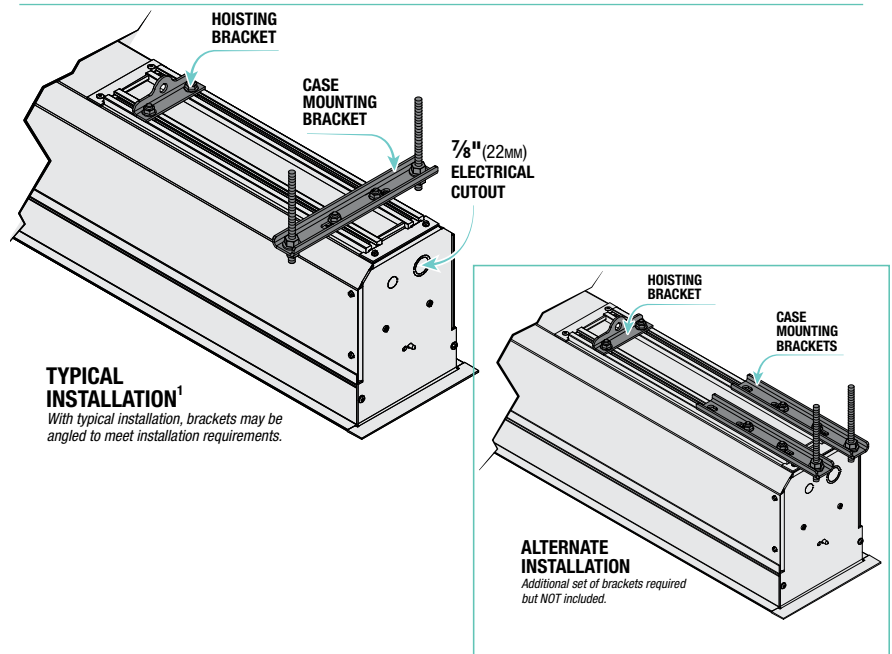


Standard Motor Wiring is on the AUDIENCE LEFT END of Screen Case.

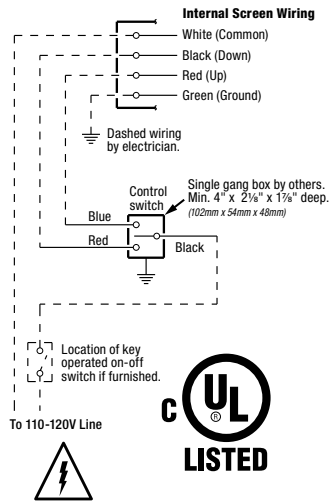
### Mounting Brackets Dimensions



### Installation Options



## 110-120V Motor and Quiet Motor Single Station Control



**Please Note:** For serial (LVC-IV), and network (LVC-IV) wiring diagrams, please consult instructions for those modules.

## External LVC-IV - Single or Multiple Projection Screen Wiring Diagram

