

Ultimate Access E

Motorized trap door opens into the case

Please check all appropriate selections and attach room schedule with verified dimensions.

Specifications

QUANTITY: _____ **SIZE:** _____ h. x _____ w.

Projection screens, recessed ceiling mounted. Electrically operated 60 Hz., 110-120V AC, 5-wire motor mounted inside screen roller, instantly reversible, lifetime lubricated, with internal thermal overload protector and electric brake with preset limits. Case finished white. Case constructed of steel, except side trim flanges, and access doors are aluminum. Endcaps are stamped steel. Bottom of case consists of an independently motorized trap door that opens upward inside the screen case. The trap door and the access door both hinge downward to allow access to inside of screen case. The doors remain attached to the screen case via a concealed full-length hinge. Releasing latches at the center and each end of the screen case allows the doors to hinge downward. A prop arm at each end may be pivoted to engage with endcaps, keeping the door assembly in its fully open position. Internal junction box allows case to be installed and pre-wired to building supply. Junction box to have two plug-in style connectors, mating with connectors from motorized roller/fabric assembly and motorized door assembly. Case flange to trim edges of the ceiling opening. Case may be mounted with 3/8" (9.5 mm) threaded rod through mounting brackets. Mounting brackets slide in 18" (457 mm) long channels on top of case, allowing brackets to be moved to avoid interference with conflicting building structures. Brackets must be locked in position by tightening screws. In typical installations, mounting brackets may be angled to meet installation requirements.

Roller/fabric assembly may be installed in case at factory or job site. Brackets supporting roller/fabric assembly to slide in track inside top of case, allowing viewing surface to be centered in case regardless of screen size. Roller of 3" (76 mm) nominal dia. metal. 3-position control switch to stop or reverse screen at any point. Switch(es) furnished with cover plate.

Viewing surface to be flame and mildew resistant. Bottom of viewing surface enclosed in dowel. Matt White XT1000E and Contrast Grey XH800E viewing surfaces are certified to GREENGUARD standards for low chemical emissions into indoor air during product usage. Note: Matt White XT1000E surfaces up to 10' (3 m) high will be seamless. 3-position control switch to stop or reverse screen at any point. Switch(es) furnished with cover plate.

For more information, visit ul.com/gg.

Entire unit certified by Underwriters' Laboratories, Inc. for the U.S. and Canada. Plenum rated case (UL approved "Suitable for Use in Environmental Air Space").

DOWNLOADABLE 3-PART SPECIFICATIONS: available at www.draperinc.com

Please note: Dimensions of rollers, operators and hardware at manufacturer's discretion.



Select Shipping Option

- Case Now, Screen Assembly Later
- Complete Unit Now

Select Case Color

- White (standard)
- Black (optional)

Select Motor Location

- Left end (standard)
- Right end

Select Viewing Surface

- Matt White XT1000E
- Contrast Grey XH800E
- Contrast White XH1100E
- Argent White XH1500E
- Pearl White CH1900E
- ClearSound White Weave XT900E
- ClearSound Grey Weave XH600E
- Chroma Key Green



Draper, Inc. | 411 S. Pearl St. Spiceland, IN 47385
draperinc.com | 765.987.7999 | 800.238.7999

© 2020 All Rights Reserved | FORM: UltimateAccessE_Sub20

PROJECT: _____

ARCHITECT: _____

CONTRACTOR: _____

SUPPLIER: _____

DATE: _____ **REVISED:** _____

Select Motor and Controls

- 110-120V AC (standard)
- Optional Quiet Motor
- Control Options (for Standard and Quiet 110-120V AC motor):

Please Note: This Draper motorized screen comes with one 110V-120V AC 3-position wall switch (silver wall plate with black rocker).

- _____ Total number of 110-120V AC switches
(switches operate independently)
- Substitute white switch(es) for silver wall plate with black rocker
 - Optional Low-Voltage Control Module (LVC-IV)
 - Factory install LVC-IV inside case? Yes No
(Video Interface Control included within LVC-IV.)
 - 24 Volt 3-Button Switch Number of 24V switches: _____
 - Radio Frequency Remote Control (only with 24V)
 - Infrared Remote Control (only with 24V)
 - Optional Key Operated Switch
 - Power Supply Key Switch (on-off)
 - 3-Position Key Control
 - 3-Position Switch with Hinged Key-Locking Coverplate

Select Additional Options

- Additional set of Mounting Brackets for alternate mounting
(see page 3)
- Black Masking Borders
(Optional on AV format, standard on all others)
- Extra Drop
Length of Total Drop: _____
(Total screen height cannot exceed 12'(366cm))
- Drop Color:
 - Black (standard)
 - Same color as viewing surface

Dimensions and Data

16:10 Format

Nominal Diagonal	Image Area	Overall Size	Case Length ¹	Net Wt. (lbs.)	Qty.
94"	50" x 80"	62" x 83½"	99	100	
109"	57½" x 92"	69½" x 96"	111	120	
113"	60" x 96"	72" x 100"	115	120	
123"	65" x 104"	69" x 108"	123	132	
137"	72½" x 116"	76½" x 120"	135	134	
165"	87½" x 140"	92½" x 144"	159	152	

HDTV Format (16:9)

Nominal Diagonal	Image Area	Overall Size	Case Length ¹	Net Wt. (lbs.)	Qty.
92"	45" x 80"	57" x 83½"	99	100	
100"	49" x 87"	61" x 91"	106	110	
106"	52" x 92"	64" x 96"	111	115	
110"	54" x 96"	66" x 100"	115	120	
119"	58" x 104"	62" x 108"	123	132	
133"	65" x 116"	69" x 120"	135	134	
161"	79" x 140"	84" x 144"	159	152	

NTSC Video Format (4:3)

Nominal Diagonal	Image Area	Overall Size	Case Length ¹	Net Wt. (lbs.)	Qty.
6'	42½" x 56½"	46½" x 59½"	75	85	
7'	50" x 66½"	53½" x 69½"	85	88	
100"	60" x 80"	64" x 83½"	99	103	
10'	69" x 92"	73" x 96"	111	121	
11'	78" x 104"	83" x 108"	123	136	
150"	87" x 116"	92" x 120"	135	138	
15'	105" x 140"	109" x 144"	159	157	

Audio Visual Format

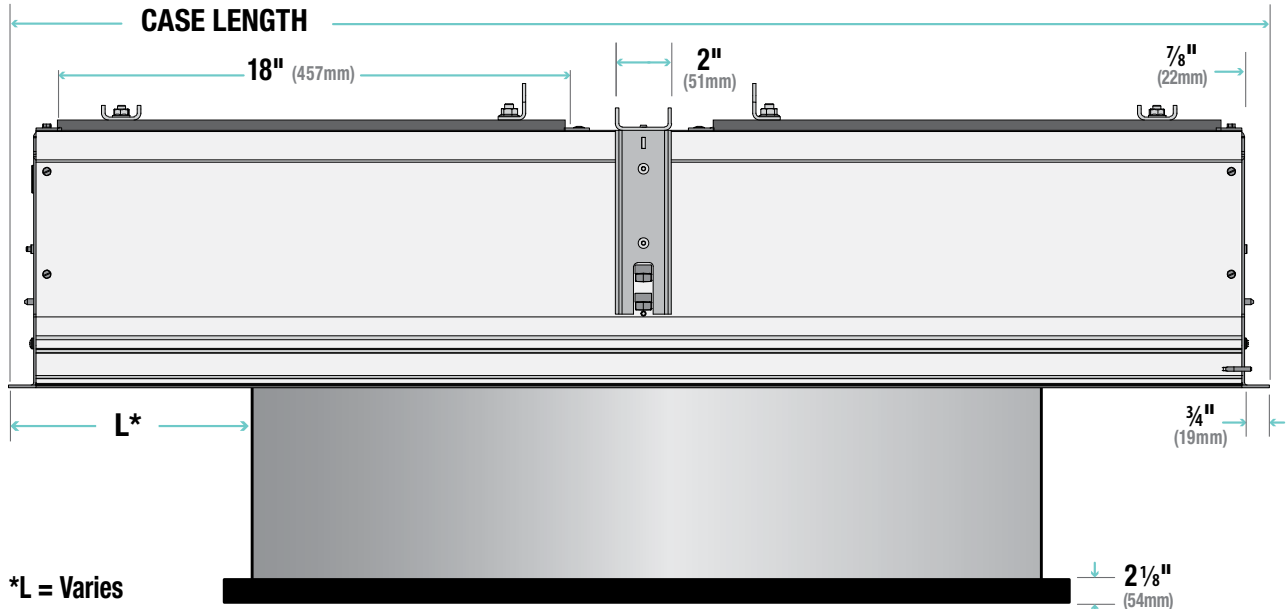
Size (H x W)	Case Length ¹	Net Wt. (lbs.)	Qty.
50" x 50"	65	82	
60" x 60"	75	89	
70" x 70"	85	98	
84" x 84"	99	105	
72" x 96"	111	121	
96" x 96"	111	127	
7' x 9'	123	134	
9' x 9'	123	135	
8' x 10'	135	141	
10' x 10'	135	155	
9' x 12'	159	157	
12' x 12'	159	173	

Custom Size (available up to 12'(366cm) wide)

--	--	--	--	--

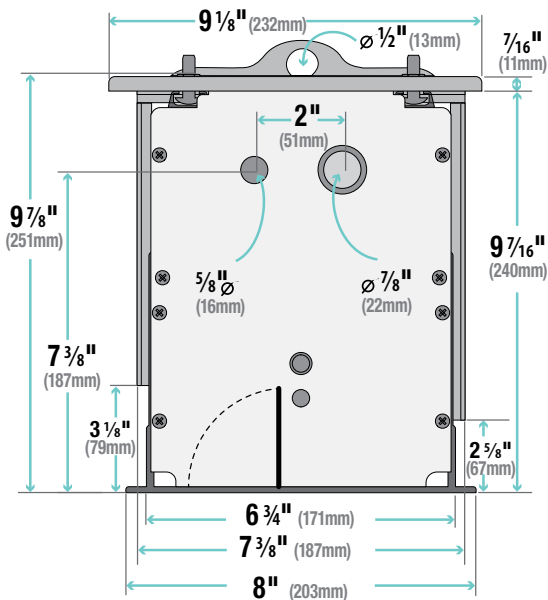
¹ Includes ¾" (19 mm) flange on each end of case. Subtract 1 ¼" (32 mm) for rough ceiling cutout size.

Case Dimensions and Methods of Installation



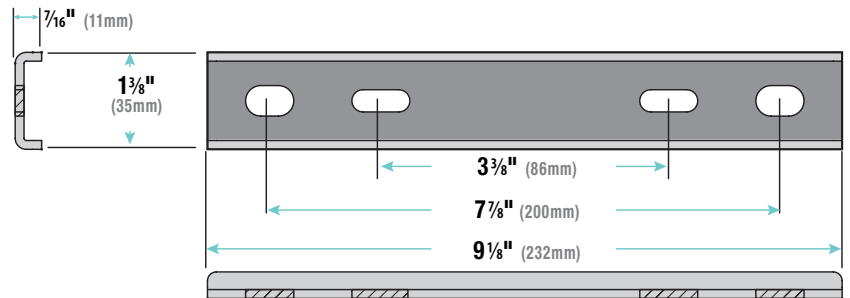
*L = Varies

- For minimum length of ceiling cutout: subtract 1 1/4" (32mm) from case length (measured from outer edge of flanges).
- For minimum width of cutout (front to back): see case width dimensions below.
- **Leveling bracket is used to level the case and should NOT be used to support the weight of the unit.
- The leveling bracket is screwed to the side of the case and remains stationary. Hardware used for leveling provided by others.
- There are several knock-outs in the screen housing to allow the Leveling Bracket to be adjusted laterally up to 16" (40.6cm) in either direction.

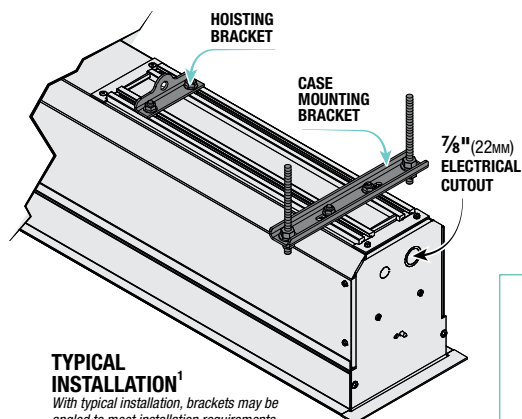


Standard Motor Wiring is on the AUDIENCE LEFT END of Screen Case.

Mounting Brackets Dimensions

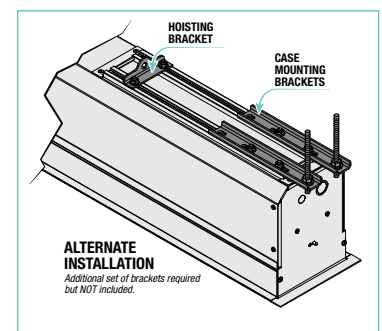


Installation Options



TYPICAL INSTALLATION¹

¹With typical installation, brackets may be angled to meet installation requirements.

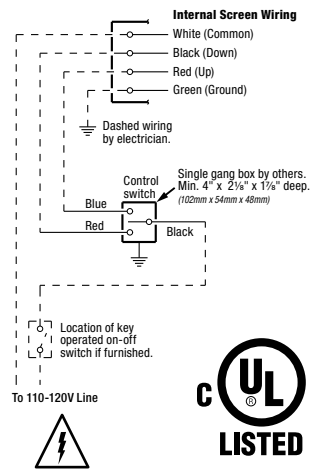


ALTERNATE INSTALLATION

¹Additional set of brackets required but NOT included.

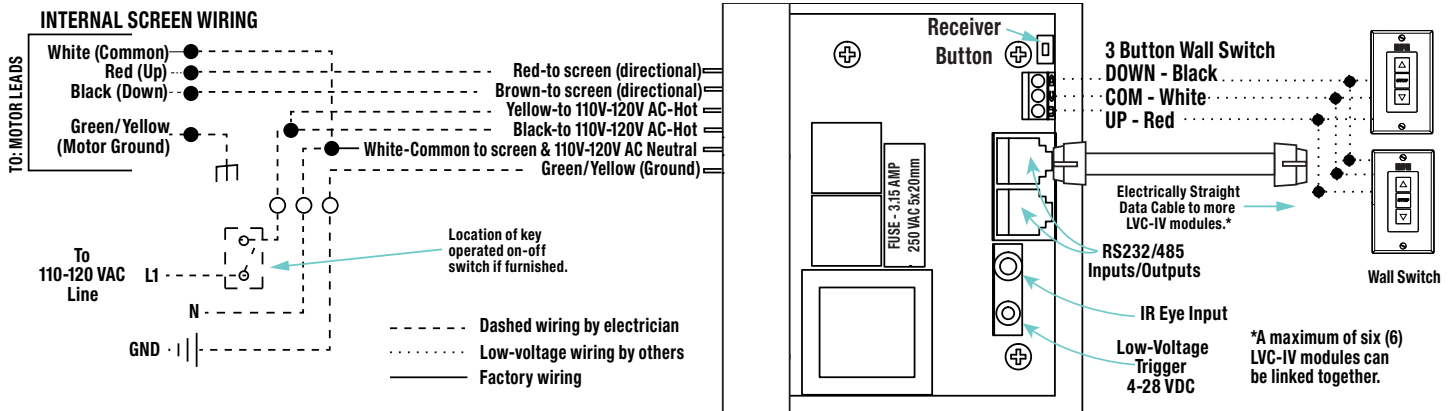
110-120V Motor and Quiet Motor

Single Station Control



Please Note: For serial (LVC-IV), and network (LVC-IV) wiring diagrams, please consult instructions for those modules.

External LVC-IV - Single or Multiple Projection Screen Wiring Diagram



PROJECT: _____

ARCHITECT: _____

CONTRACTOR: _____

SUPPLIER: _____

DATE: _____ REVISED: _____