

Premier



Electric Screen with Perfectly Flat Viewing Surface

by DRAPER

Specifications—Premier

_____ projection screens, size _____ h. x _____ w., Electrically operated 110-120V AC, 60 Hz. 3-wire motor mounted inside screen roller, 1.1 amp draw, instantly reversible, lifetime lubricated, with internal thermal overload protector and electric brake, with preset limits. 3" dia. metal roller, mounted on rubber insulated supports. Viewing surface shall be mildew resistant, with black masking borders. Each side of surface to have tab-guide cable system to maintain even lateral tension and hold surface flat. Bottom of surface supported and masked by black, extruded aluminum dowel weighted to apply proper vertical tension. Top of surface masked by 12" black drop. Matt White XT1000V and Grey XH600V viewing surfaces are certified to GREENGUARD standards for low chemical emissions into indoor air during product usage. For more information, visit ul.com/gg.



Please Check All Appropriate Selections

Select Viewing Surface

- Matt White XT1000V (1.0 gain): GREENGUARD Gold certified
- Grey XH600V (0.6 gain) (Thru 9' x 12'): GREENGUARD Gold certified
- Pearl White MH1500V (1.5 gain) (Thru 9' x 12'): Optional
- Pure White XT1300V (1.3 gain): Optional
- Rear Projection Surface: Optional _____
- Other: _____

Select Case Color

- Black (standard)
- White (optional): _____

Select Motor and Controls:

Standard Voltage Motor and Control Options:

- 110-120V AC (standard)
- Optional Quiet Motor ¹

Please Note: These motors come with one 110V-120V AC 3-position wall switch (silver wall plate with black rocker).

_____ Total number of 110-120V AC switches (operate independently)

- Substitute white switch(es) for silver wall plate with black rocker
- Optional Key Operated Switch
 - Power Supply Key Switch (On-off)
 - 3-Position Key Control
 - 3-Position Switch with Hinged Key-Locking Coverplate

Low Voltage Motor and Control Options:

- Internal LVC-IV (will increase case length by 2")
- External LVC-IV
- Motor with Built-in Low Voltage Control
- Quiet Motor with Built-in Low Voltage Control ²

Please Note: Select Control Options for Low Voltage from below.

- 24 Volt 3-Button Switch Number of 24V switches: _____
- Radio Frequency Remote Control (only with 24v)
- Infrared Remote Control (only with 24v)
- Optional Key Operated Switch
 - Power Supply Key Switch (On-off)
 - 3-Position Switch with Hinged Key-Locking Coverplate

Optional Video Interface Control (not compatible with other controls)

- | | | |
|----------------------------------|--|---|
| <input type="checkbox"/> VIC-115 | <input type="checkbox"/> Override Switch | } (VICs are compatible only with the Override Switch, and not with any other wall switches or controls) |
| <input type="checkbox"/> VIC-12 | <input type="checkbox"/> Override Switch | |
| <input type="checkbox"/> VIC-6 | <input type="checkbox"/> Override Switch | |

Optional Accessories

- Additional Drop _____ (Beyond standard 12") ³
- Total Drop _____ (Standard 12" + Additional drop)
 - Black (standard)
 - Same color as viewing surface
- (Total screen height cannot exceed 12'; extra drop increases length of case)
- Optional Ceiling Opening Trim Kit for Recessed Installations ⁴
- Optional Floating Mounting Brackets (for wall and ceiling)

¹ Quiet Motor Size Limitations			
AV	NTSC	HDTV	16:10
108" x 144"	180"	161"	165"

² Quiet Motor with Low Voltage Controller			
AV	NTSC	HDTV	16:10
96" x 96"	11'	119"	123"

³ Extra drop will increase case length. Specify at time of order and request dimension. Contact Draper if this dimension is critical. Extra drop also increases length of dowel. Dowel clearance for recessed mounting equals dowel length plus 1".

⁴ Draper recommends 12" of extra drop when ordering Ceiling Opening Trim Kit. The Ceiling Opening Trim Kit is for use in an acoustical, drop ceiling only. Not recommended for drywall or hard ceilings. Available on case lengths up to 174".

Case one piece 22 ga. steel with flat back design and baked-on black plastisol finish, 5⁷/₈" H x 5¹/₄" D, including endcaps with universal mounting brackets. Endcaps of 12 ga. black epoxy powder coat finish steel fully enclosing roller ends and forming universal (wall or suspended) hanging brackets. 3-position control switch to stop or reverse screen at any point. Switch complete with cover plate. Optional white aluminum Ceiling Opening Trim Kit available to trim opening when screen is to be recessed above the ceiling. Entire unit certified by Underwriters' Laboratories, Inc. for the U.S. and Canada. Specifications subject to change without notice.

Dimensions & Data

H x W	Case Length ²	Dowel Length ²	Net Wt. (lbs.)	Qty.	
AV Format					
50" x 50"	68"	60 ⁷ / ₈ "	30		
60" x 60"	78 ³ / ₄ "	71 ⁷ / ₈ "	35		
70" x 70"	89"	82 ⁷ / ₈ "	40		
84" x 84"	104 ¹ / ₄ "	96 ⁷ / ₈ "	50		
72" x 96"	115"	108 ⁷ / ₈ "	55		
96" x 96"	117 ³ / ₄ "	110 ³ / ₈ "	60		
7' x 9'	128 ¹ / ₄ "	120 ⁷ / ₈ "	70		
9' x 9'	129 ³ / ₄ "	122 ⁷ / ₈ "	75		
8' x 10'	141 ³ / ₄ "	134 ³ / ₈ "	80		
10' x 10'	143 ¹ / ₂ "	136 ³ / ₈ "	85		
9' x 12'	165 ³ / ₄ "	158 ⁷ / ₈ "	90		
12' x 12'	171 ¹ / ₂ "	162 ³ / ₈ "	100		
Nominal Diagonal	Image Area HxW	Case Length ²	Dowel Length ²	Net Wt. (lbs.)	Qty.
NTSC Video Format (4:3)					
6'	42 ¹ / ₂ " x 56 ¹ / ₂ "	74"	67 ³ / ₈ "	35	
7'	50" x 66 ¹ / ₂ "	84 ¹ / ₄ "	77 ³ / ₈ "	40	
100"	60" x 80"	97 ³ / ₄ "	91 ⁷ / ₈ "	50	
10'	72" x 96"	115"	108 ³ / ₄ "	55	
11'	78" x 104"	124 ¹ / ₄ "	116 ⁷ / ₈ "	65	
150"	87" x 116"	136 ¹ / ₄ "	130 ³ / ₈ "	78	
15'	108" x 144"	165 ³ / ₄ "	158 ³ / ₄ "	90	
200"	118" x 158"	180 ³ / ₄ "	174 ⁵ / ₈ "	95	
HDTV Format (16:9)					
65"	31 ³ / ₄ " x 56 ¹ / ₂ "	72 ¹ / ₂ "	66 ³ / ₈ "	34	
73"	36" x 64"	80"	73 ⁷ / ₈ "	36	
82"	40 ¹ / ₂ " x 72"	89"	82 ⁷ / ₈ "	38	
92"	45" x 80"	97 ¹ / ₂ "	90 ⁷ / ₈ "	50	
100"	49" x 87"	104"	97 ⁷ / ₈ "	57	
106"	52" x 92"	110"	102 ⁷ / ₈ "	58	
110"	54" x 96"	114"	107 ⁷ / ₈ "	60	
119"	58" x 104"	122"	115 ⁷ / ₈ "	65	
133"	65" x 116"	135"	127 ⁷ / ₈ "	75	
161"	79" x 140"	160 ¹ / ₄ "	152 ⁷ / ₈ "	80	
184"	90" x 160"	180 ³ / ₄ "	174 ³ / ₈ "	94	
16:10 Format					
67"	35 ¹ / ₄ " x 56 ¹ / ₂ "	72 ¹ / ₂ "	66 ³ / ₈ "	34	
76"	40" x 64"	81"	74 ⁷ / ₈ "	36	
85"	45" x 72"	89"	82 ⁷ / ₈ "	38	
94"	50" x 80"	97"	90 ⁷ / ₈ "	50	
109"	57 ¹ / ₂ " x 92"	110"	103 ⁷ / ₈ "	58	
113"	60" x 96"	113 ⁷ / ₈ "	107 ³ / ₄ "	60	
123"	65" x 104"	122"	115 ⁷ / ₈ "	65	
137"	72 ¹ / ₂ " x 116"	135"	128 ⁷ / ₈ "	75	
165"	87 ¹ / ₂ " x 140"	160 ¹ / ₂ "	154 ³ / ₈ "	80	
189"	100" x 160"	180 ¹ / ₂ "	174 ³ / ₈ "	94	
Custom Size					

Seamless in all sizes through 9' high. Also available in 1.85:1, 2.35:1 and 15:9 Formats. Contact Draper. Premier screens are available in larger sizes. See Premier-LargeSizes submittal form.

PROJECT: _____

ARCHITECT: _____

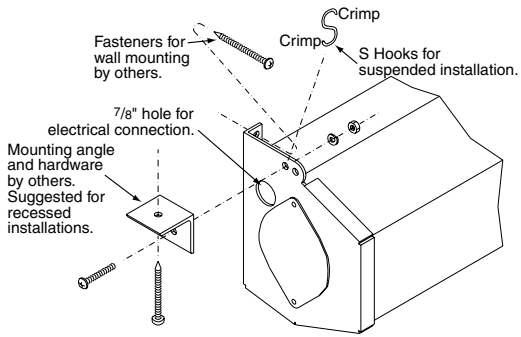
CONTRACTOR: _____

SUPPLIER: _____

DATE: _____ REVISED: _____

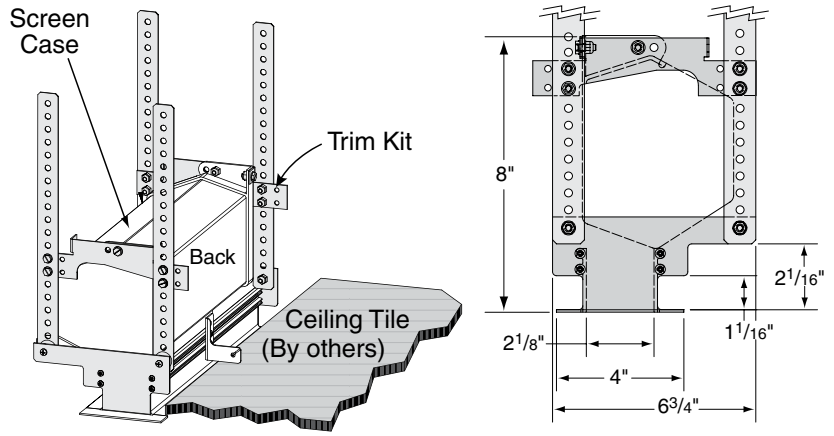


Methods of Installation



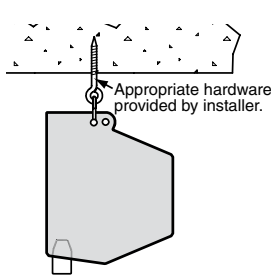
Please Note: If using "S" Hooks, for added safety, crimp both ends of the "S" hooks so the screen cannot come off.

Optional Ceiling Opening Trim Kit

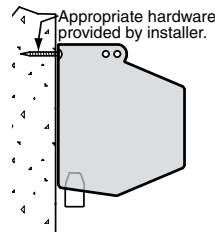


Types of Installation

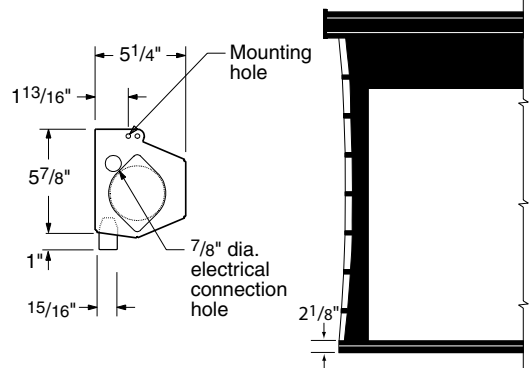
Suspended



Wall Mounted

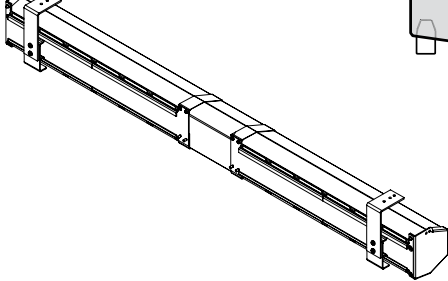


Case Dimensions



PLEASE NOTE: Built-In LVC-IV will increase overall case length by 2".

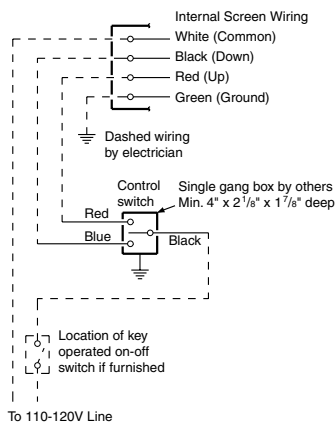
Floating Mounting Bracket



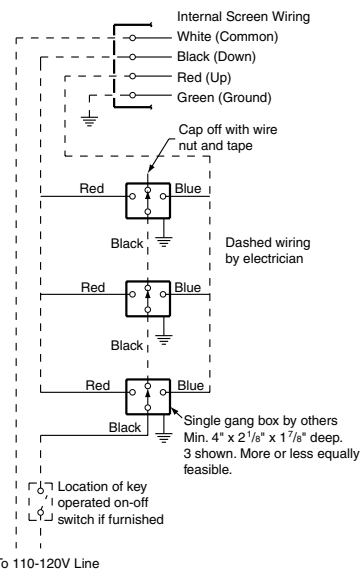
Wiring Diagrams*

110-120V Motor and Quiet Motor

Single Station Control

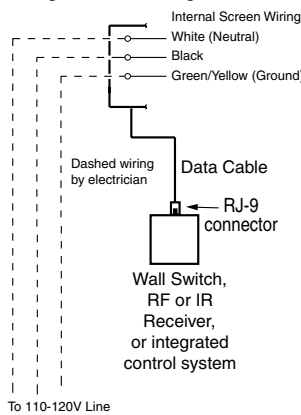


Multiple Station Control

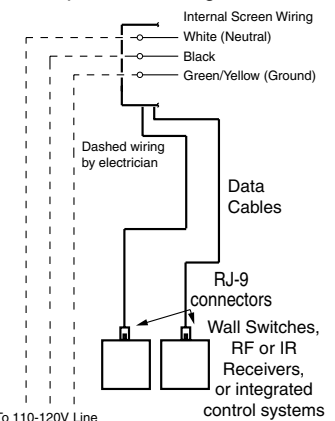


110-120V Motor and Quiet Motor with Built-in Low Voltage Controller

Single Low Voltage Control



Multiple Low Voltage Controls



* For more information and wiring diagrams for serial and network communication, please see wiring diagrams supplied with individual items.

Please Note: For low voltage (LVC-IV not built-in), serial (LVC-IV) and network (LVC-IV & LS101) wiring diagrams, please consult instructions for those modules.

PROJECT: _____
 SUPPLIER: _____
 DATE: _____ REVISED: _____