

Please check all appropriate selections and attach room schedule with verified dimensions.

### Specifications

**QUANTITY:** \_\_\_\_\_ **SIZE:** \_\_\_\_\_ h. x \_\_\_\_\_ w. (overall size) projection screen, designed for permanent wall mounting. Extruded aluminum trim frame forms 4" (102mm) border on all four sides. Trim frame finished black; optional black Vel-Tex textile covering is also available. Viewing surface to have 3/4" (19mm) hem pocket on all four sides to accept screen insertion tubing. Surface attaches to extruded trim frame using extruded plastic strip, eliminating pulling and puckering inherent to fabric attachment utilizing snaps; snap attachment not acceptable as equivalent. Matt White XT1000V and Grey XH600V viewing surfaces are certified to GREENGUARD standards for low chemical emissions into indoor air during product usage. For more information, visit [ul.com/gg](http://ul.com/gg).



Frame extrusions shall provide for up to 1 1/2" (38mm) of horizontal and vertical surface tension adjustability in 3/8" (10mm) increments to combat screen stretch and sag over time. Trim frame equipped with mounting flange that mates with wall brackets. Optional Corner Reinforcement Kit (required for flown screens). Available in custom sizes up to 20' x 20' (6m x 6m) viewing area. Downloadable 3-part specifications: available at [www.draperinc.com](http://www.draperinc.com)

**Please note:** Dimensions of rollers, operators and hardware at manufacturer's discretion.

### Select Trim Frame Options:

- Black Frame (standard if no choice indicated)
- Optional Black Vel-Tex textile covering
- Optional Corner Reinforcement Kit (required for flown screens)

### Select Viewing Surface:

#### OptiFlex (Flexible)

- Matt White XT1000V (1.0 gain) (GREENGUARD Gold Certified)
- Grey XH600V (0.6 gain) (GREENGUARD Gold Certified)
- Pure White XT1300V (1.3 gain)

#### CineFlex (Rear/Dual Projection)

- CineFlex CH1200V (1.2 gain)
- CineFlex White XT700V (0.7 gain)
- Other: \_\_\_\_\_

#### ClearSound

- (Acoustically Transparent)
- ClearSound NanoPerf XT1000V (1.0 gain)
  - ClearSound White Weave XT900E (0.9 gain)
  - ClearSound Grey Weave XH600E (0.6 gain)
  - Other: \_\_\_\_\_

### TECVISION Premium Optical Surface

- XH700X Grey (0.7 gain) Certified
- XH800X UST ALR (0.8 gain) Certified
- XH900X ALR (0.9 gain) Certified
- MS1000X ALR (1.7 gain) Certified
- CS1000X ALR (1.0 gain) Certified
- CS1200X ALR (1.2 gain) Certified
- XT1000X White (1.0 gain) Certified
- XT1100X White (1.1 gain) Certified
- XT1300X White (1.3 gain) Certified
- XT1600X White (1.6 gain) Certified
- XT1800X White (1.8 gain) Certified
- XH700X Grey NanoPerf (0.7 gain) Certified
- XH900X ALR NanoPerf (0.9 gain) Certified
- MS1000X ALR NanoPerf (1.0 gain) Certified
- XT1000X White NanoPerf (1.0 gain) Certified
- XT1100X White NanoPerf (1.1 gain) Certified
- XT1300X White NanoPerf (1.3 gain) Certified
- XT1600X White NanoPerf (1.6 gain) Certified
- XT1800X White NanoPerf (1.8 gain) Certified
- CS1000X ALR NanoPerf (1.0 gain) Certified
- CS1200X ALR NanoPerf (1.2 gain) Certified

### Dimensions and Data

#### 16:10 Format

Nominal Diagonal	Image Area (H x W)	Overall Size	Net Wt. (lbs.)	Qty.
67"	35 1/4" x 56 1/2"	43 1/4" x 64 1/2"	25	
76"	40" x 64"	48" x 72"	28	
85"	45" x 72"	53" x 80"	31	
94"	50" x 80"	58" x 88"	34	
109"	57 1/2" x 92"	65 1/2" x 100"	37	
113"	60" x 96"	68" x 104"	40	
123"	65" x 104"	73" x 112"	41	
137"	72 1/2" x 116"	80 1/2" x 124"	46	
165"	87 1/2" x 140"	95 1/2" x 148"	50	

#### 16:9 HDTV Format

Nominal Diagonal	Image Area (H x W)	Overall Size	Net Wt. (lbs.)	Qty.
65"	31 3/4" x 56 1/2"	39 3/4" x 64 1/2"	25	
73"	36" x 64"	44" x 72"	28	
82"	40 1/2" x 72"	48 1/2" x 80"	31	
92"	45" x 80"	53" x 88"	34	
100"	49" x 87"	57" x 95"	35	
106"	52" x 92"	60" x 100"	37	
110"	54" x 96"	62" x 104"	39	
119"	58" x 104"	66" x 112"	41	
133"	65" x 116"	73" x 124"	46	
161"	79" x 140"	87" x 148"	57	
193"	95" x 169"	103" x 177"	74	
220"	108" x 192"	116" x 200"	80	

#### 4:3 NTSC Video Format

Nominal Diagonal	Image Area (H x W)	Overall Size	Net Wt. (lbs.)	Qty.
6'	43" x 57"	51" x 65"	27	
6 1/2'	47" x 63"	55" x 71"	30	
7'	50" x 67"	58" x 75"	31	
7 1/2'	54" x 72"	62" x 80"	33	
100"	60" x 80"	68" x 88"	37	
10'	72" x 96"	80" x 104"	43	
150"	90" x 120"	98" x 128"	54	
15'	108" x 144"	116" x 152"	66	

#### CinemaScope Format (2.35:1)

Nominal Diagonal	Image Area (H x W)	Overall Size	Net Wt. (lbs.)	Qty.
115"	45" x 105 3/4"	53" x 113 3/4"	39	
132"	52" x 122"	60" x 130"	46	
148"	58" x 136 1/4"	66" x 144 1/4"	50	
153"	60" x 141"	68" x 149"	55	
166"	65" x 152 3/4"	73" x 160 3/4"	57	
204"	80" x 188"	88" x 196"	68	

#### 1:1 AV Format

	Image Area (H x W)	Overall Size	Net Wt. (lbs.)	Qty.
	50" x 50"	58" x 58"	27	
	60" x 60"	68" x 68"	32	
	70" x 70"	78" x 78"	37	
	84" x 84"	92" x 92"	44	
	96" x 96"	104" x 104"	50	
	9' x 9'	116" x 116"	56	
	10' x 10'	128" x 128"	63	

#### Custom Size

--	--	--	--	--

PROJECT: \_\_\_\_\_

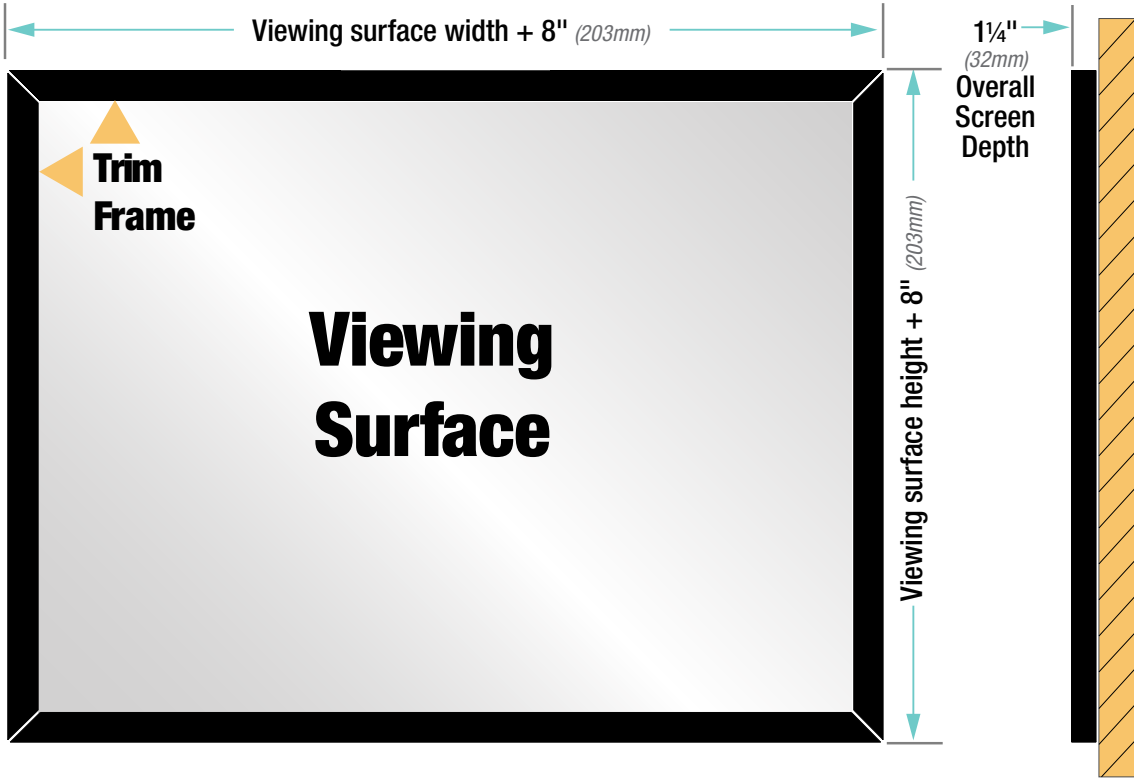
ARCHITECT: \_\_\_\_\_

CONTRACTOR: \_\_\_\_\_

SUPPLIER: \_\_\_\_\_

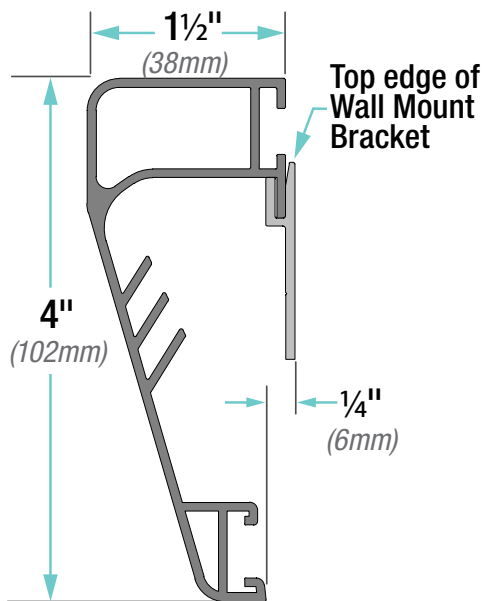
DATE: \_\_\_\_\_ REVISED: \_\_\_\_\_

## Dimensions



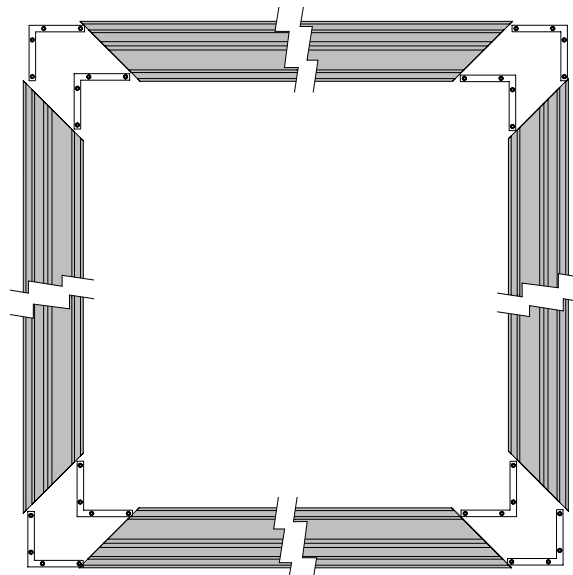
## Frame Components - Detail

### Frame Cross Section



Minimum distance between top edge of Wall Mount Bracket and ceiling is 1" (25mm).

### Frame Details



PROJECT: \_\_\_\_\_

ARCHITECT: \_\_\_\_\_

CONTRACTOR: \_\_\_\_\_

SUPPLIER: \_\_\_\_\_

DATE: \_\_\_\_\_ REVISED: \_\_\_\_\_