

Specifications

Please check all appropriate selections and attach room schedule with verified dimensions.

_____ projection screens, size _____ h. x _____ w.

Roller to be 1½" dia. with .065 wall, or 2" dia. with .080 wall, in extruded aluminum. Roller assembly easily removable. Two-piece aluminum screen case shall be 4" tall x 5" deep" with integrated hinge and die-cast, universal end caps and sealing liners. To be delivered as completely assembled unit. White (standard), black, ivory, charcoal bronze or silver powder coat finish. Aluminum dowel with tear drop shape, weighted to reduce viewing surface movement. Attached universal guides for cable (supplied with 13' preassembled cables). Color matching wall or deck (sill) mounts.

Viewing Surface to be fire and mildew resistant. Matt White XT1000E and Contrast Grey XH800E viewing surfaces shall qualify as low emitting and meet all of the requirements of the GREENGUARD for Children and Schools and GREENGUARD certification programs.



EQUIPMENT

Sonesse 120V AC Electric Operator: Drive unit inside roller, 4-wire, instantly reversible, lifetime lubricated. Right hand motor location standard. Left hand available. Adjustable limit switches, thermal overload protector and electric brake. Operates on 110-120V AC 1 PH 60 HZ current. Draws 1.1 Amps.

Sonesse RTS 120V Radio Technology Electric Operator: Drive unit inside roller, 3-wire, instantly reversible, lifetime lubricated. Right hand motor location standard. Left hand available. Built-in radio receiver. Limit switches adjustable using wall switch or remote control. Thermal overload protector and electric brake. Operates on 110-120V AC 1 PH 60 HZ current. Draws 1.1 Amps. Operates at or below sound level of 44 Db. Call Draper for size limitations when using quiet motors.

CRANK OPERATOR: Detachable polished aluminum crank. Bi-directional crank operator to mount at either end of roller. Never needs lubrication or adjustment. Crank handle assembly of powder coated and chromed steel, up to 6' in length.

HARDWARE

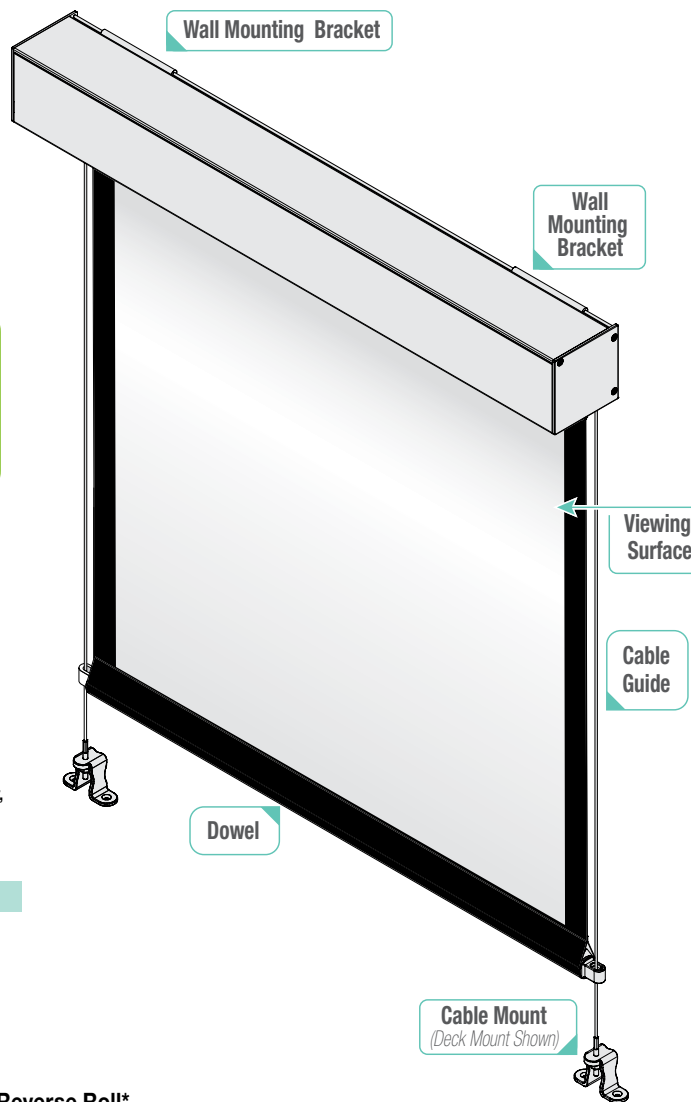
Rollers: 2.364" (60 mm) dia. or 3.07" (78 mm) dia. with 0.049" (1.245 mm) wall; steel with galvalum coating.

Case: Two-piece extruded aluminum case. Case shall be 3½" (92 mm) tall x 3⅝" (92 mm) deep. Silver, black, white, ivory, sand or bronze powder coat finish.

PATENT INFORMATION: available at www.draperinc.com/legal/patents

DOWNLOADABLE 3-PART SPECIFICATIONS: available at www.draperinc.com.

Please note: Dimensions of rollers, operators and hardware at manufacturer's discretion.



Select Headbox Type

- Square
- Curved (not available with Crank Operator)

Select Color of Screen Case

- White Textured
- Black Textured
- Bronze Textured
- Ivory Textured
- Silver
- Custom (Contact Draper)

Select Cable Kit Color

- White Textured
- Black Textured
- Bronze Textured
- Ivory Textured
- Silver
- Custom (Contact Draper)

Select Operator

- Crank Handle Handle Size: 48" 60" 72"
- Electric Tubular Motor

Select Operator Location

(As seen from INSIDE the room facing the window. Also indicate on room schedule.)

- Left Side (standard)
- Right Side

Select Reverse Roll*

- Yes No

Select Viewing Surface

- Matt White XT1000E
- Contrast Grey XH800E
- ClearSound White Weave XT900E
- ClearSound Grey Weave XH600E

Select Screen Drop Options

- Extra Screen Drop (Total screen height cannot exceed 10')
 - Black (standard) Same color as viewing surface
- Length of total drop (including standard 12" on some sizes): _____

Select Special Border Options

- None (standard)
- Special Border Size: _____



Draper, Inc. | 411 S. Pearl St. Spiceland, IN 47385
 draperinc.com | 765.987.7999 | 800.238.7999

© 2019 All Rights Reserved | FORM: NocturnePlus_E_C_Sub19

PROJECT: _____

ARCHITECT: _____

CONTRACTOR: _____

SUPPLIER: _____

DATE: _____ REVISED: _____

Select Motor

- Sonesse 120V AC Motor *(standard)*
- Sonesse RTS 120V AC Motor

Select Motor Voltage

- 110-120V
- 220-230V

Select Cable Exit

- Back
- Side
- Top

Select Control Options

Sonesse 120V AC Motor

- 120V Wall Switch for Single Screen Control
- Low Voltage and/or Multiple Screen Control

Sonesse RTS 120V AC Motor

- Telis 1 Transmitter *(1-Channel)*
- Dry Contact Interface
- Decora RTS 1-Channel

Wireless Wall Switch

- White
- Ivory

Total number of 110-120V AC switches: _____
(switches operate independently)

- Substitute white switch(es) for silver wall plate with black rocker

Optional Low Voltage Control Module

- 24 Volt 3-Button Switch How many switches? _____
- Radio Frequency Remote Control *(only with 24V)*
- Infrared Remote Control *(only with 24V)*

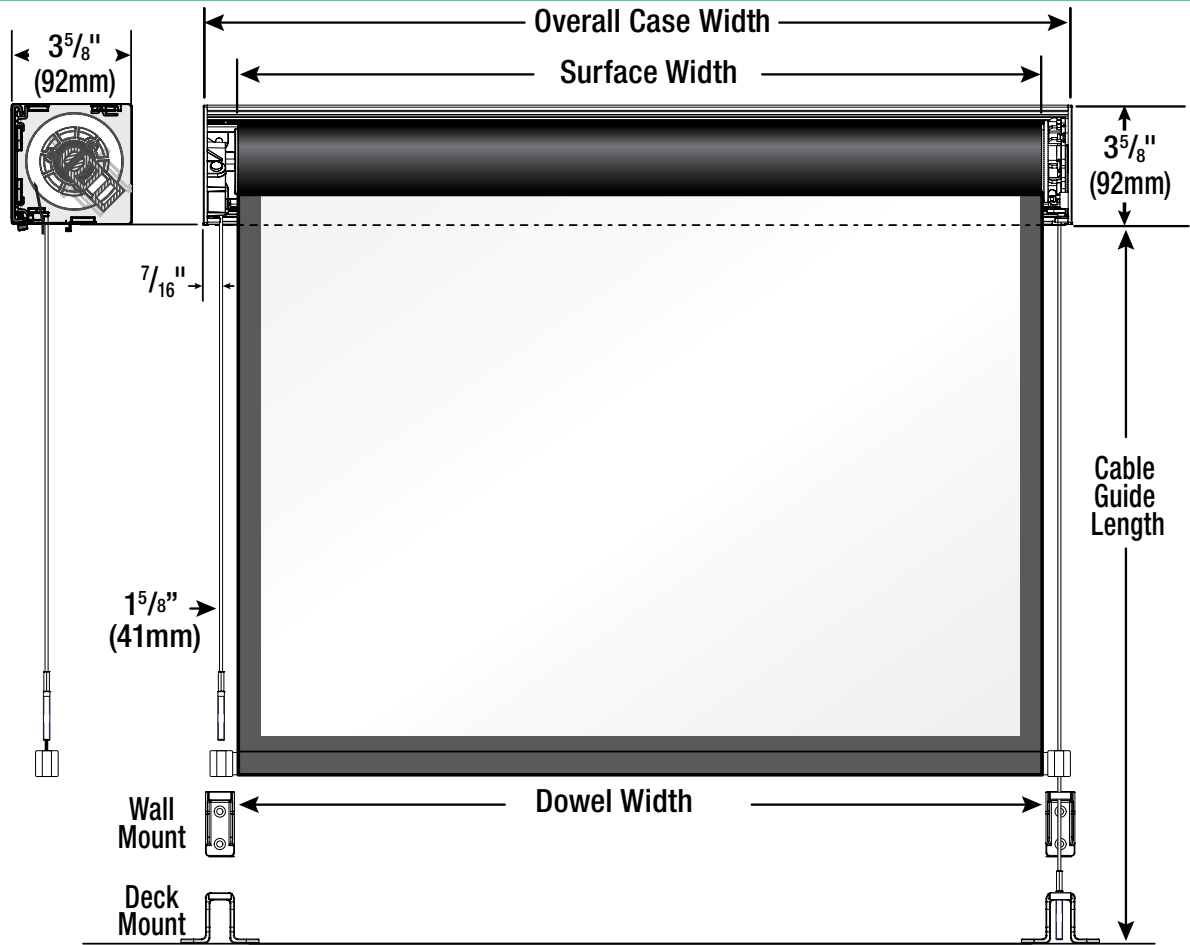
Optional Key Operated Switch

- Power Supply Key Switch *(On-off)*
- 3-Position Key Control
- 3-Position Switch with Hinged Key-Locking Coverplate

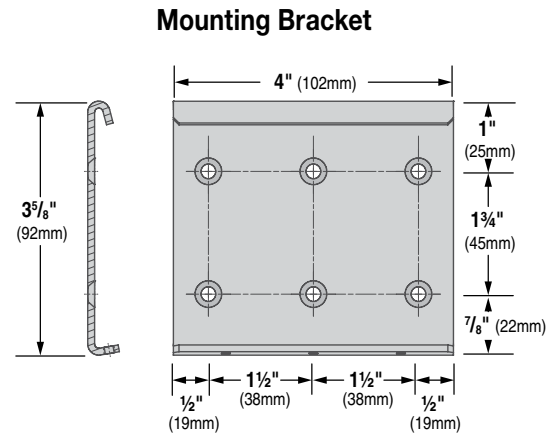
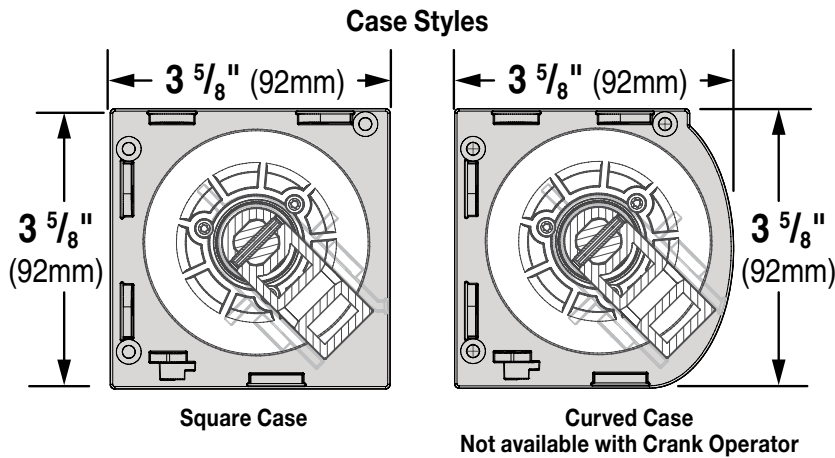
Dimensions and Data

Nominal Diagonal	Image Area H x W	Overall Size	Case Length	Net Wt. (lbs.)	Qty.
4:3 NTSC Video Format					
6'	42½" x 56½"	46½" x 59½"	62 7/8"	34	
7'	50" x 66½"	53½" x 69½"	72 7/8"	38	
100"	60" x 80"	64" x 83½"	86 7/8"	44	
10'	69" x 92"	73" x 96"	99 3/8"	49	
11'	78" x 104"	83" x 108"	111 3/8"	73	
150"	87" x 116"	92" x 120"	123 3/8"	81	
16:9 HDTV Format					
65" *	31¾" x 56½"	43¾" x 59½"	62 7/8"	34	
73" *	36" x 64"	48" x 69½"	72 7/8"	38	
82" *	40½" x 70"	52½" x 74"	77 3/8"	40	
92" *	45" x 80"	57" x 83½"	86 7/8"	44	
100" *	49" x 87"	61" x 91"	94 3/8"	47	
106" *	52" x 92"	64" x 96"	99 3/8"	49	
110" *	54" x 96"	66" x 100"	103 3/8"	51	
119"	58" x 104"	62" x 108"	111 3/8"	73	
133"	65" x 116"	69" x 120"	123 3/8"	81	
16:10 Format					
94" *	50" x 80"	62" x 83½"	86 7/8"	44	
102" *	54" x 87"	66" x 91"	94 3/8"	47	
109" *	57½" x 92"	69½" x 96"	99 3/8"	49	
113" *	60" x 96"	72" x 100"	103 3/8"	51	
123"	65" x 104"	69" x 108"	111 3/8"	73	
137"	72½" x 116"	76½" x 120"	123 3/8"	81	
Custom Size					
* These sizes include 12" black drop as standard.					

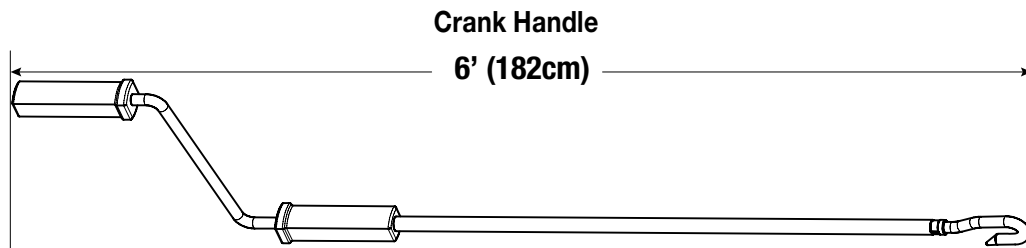
Assembled Dimensions



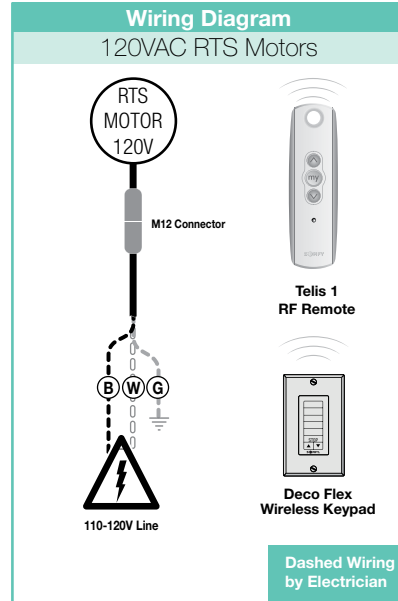
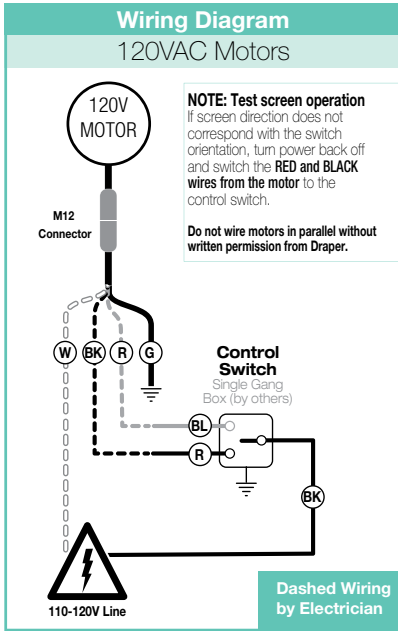
Component Dimensions



NOTE: Mounting brackets attach to surface with #10 Flat Head Screw



Wiring Diagrams



External LVC-IV - Single or Multiple Nocturne+ 120V Wiring Diagram

