

# Lace & Grommet

Fixed projection screen

**Please check all appropriate selections and attach room schedule with verified dimensions.**

## Specifications

**QUANTITY:** \_\_\_\_\_ **SIZE:** \_\_\_\_\_ h. x \_\_\_\_\_ w. (overall size)  
(up to 22'6" [685.8 cm] max overall height x 75' [2286 cm]) overall dimension, including webbing.

Frame constructed of 3" (76 mm) O.D. aluminum extrusion, powder coated black. Lacing system consisting of 60-lb. (27 kg) test bungee and S-Hooks already attached. Frame assembled using Quick-Locking Joints.

Viewing surface includes 4" (102 mm) reinforced webbing borders around four sides of viewing area, with grommets on 6" (152 mm) centers. Viewing surface flame and mildew resistant. Matt White XT1000VB, Grey XH600V, and Matt White XT1000V viewing surfaces are certified to GREENGUARD standards for low chemical emissions into indoor air during product usage. For more information, visit [ul.com/gg](http://ul.com/gg).



Curved screens available with maximum radius of 12' (366 cm). Optional IFR velour decorative trim is available.

Downloadable 3-part specifications: available at [www.draperinc.com](http://www.draperinc.com)

**Please note:** Dimensions of rollers, operators, and hardware at manufacturer's discretion.



## Select Trim Frame Options:

- Black Frame (standard if no choice indicated)
- Optional Black Vel-Tex textile covering

## Select Flat or Curved Frame:

- Flat
- Curved (For curved screens, stop here and fill out the planning sheet on page 2.)

## Select Size:

Overall Surface Size\* = \_\_\_\_\_ H x \_\_\_\_\_ W

Overall Viewing Area = \_\_\_\_\_ H x \_\_\_\_\_ W

**\*Note:** For overall surface size, add 8" (102 mm) to each Viewing Area dimension and 20" (508 mm) for overall Frame.

## How will the screen be mounted?

- Wall Mount
- Floor Mount (by others)
- Flown/Ceiling Mount (by others)

## Select Viewing Surface:

### OptiFlex (Tensioned Screen Surface)

- Matt White XT1000V (1.0 gain) (GREENGUARD Gold Certified)
- Matt White XT1000VB (1.0 gain) (GREENGUARD Gold Certified)
- Grey XH600V (0.6 gain) (GREENGUARD Gold Certified)
- Pure White XT1300V (1.3 gain)
- ClearSound NanoPerf XT1000V (1.0 gain)

### CineFlex (Rear/Dual Projection)

- CineFlex CH1200V (1.2 gain)
- CineFlex White XT700V (0.7 gain)

### Chroma Key)

- Chroma Key Green
- Other (contact Draper®): \_\_\_\_\_

### TECVISION® Premium Optical Surface

- XH700X Grey (0.7 gain) Certified
- XH800X UST ALR (0.8 gain) Certified
- XH900X ALR (0.9 gain) Certified
- MS1000X ALR (1.7 gain) Certified
- CS1000X ALR (1.0 gain) Certified
- CS1200X ALR (1.2 gain) Certified
- XT1000X White (1.0 gain) Certified
- XT1100X White (1.1 gain) Certified
- XT1300X White (1.3 gain) Certified
- XT1600X White (1.6 gain) Certified
- XT1800X White (1.8 gain) Certified

Check here if screen surface is to be supplied with ClearSound Nanoperf.



Draper, Inc. | 411 S. Pearl St. Spiceland, IN 47385  
draperinc.com | 765.987.7999 | 800.238.7999

© 2021 All Rights Reserved | FORM: LaceGrommet\_Sub20

**PROJECT:** \_\_\_\_\_

\_\_\_\_\_

**ARCHITECT:** \_\_\_\_\_

**CONTRACTOR:** \_\_\_\_\_

**SUPPLIER:** \_\_\_\_\_

**DATE:** \_\_\_\_\_ **REVISED:** \_\_\_\_\_

## Curved Lace & Grommet Projection Screen Options

If ordering a curved Lace & Grommet screen, mark appropriate selections and submit the information below with your order or request for quotation.

1. What type of projector will be used?

\_\_\_\_\_

How many projectors?

\_\_\_\_\_

2. How far is the projector lens from the screen (throw distance)?

\_\_\_\_\_

3. What is the image size of the screen?

Viewing Height \_\_\_\_\_ x Viewing Width (follows curve) \_\_\_\_\_  
 Chord Width or  Arc Width

**Please Note:** For overall surface size, add 8" (203 mm) to each Viewing Area dimension and 8" (203 mm) for overall Frame.

4. What is the Radius of the curve? \_\_\_\_\_ (see drawing below)

Degrees Field of View of Image? \_\_\_\_\_ (if known)

5. \*How will the screen be mounted?

- Wall Mount
- Floor Mount (by others)
- Flown/Ceiling Mount (by others)

**\* Draper® wall mounting brackets may not be available for tight radii. Draper will provide a drawing, which must be approved by signature before Curved Lace & Grommet order can be placed. Curved Projection Screen Planning Sheet and Drawing must accompany order.**

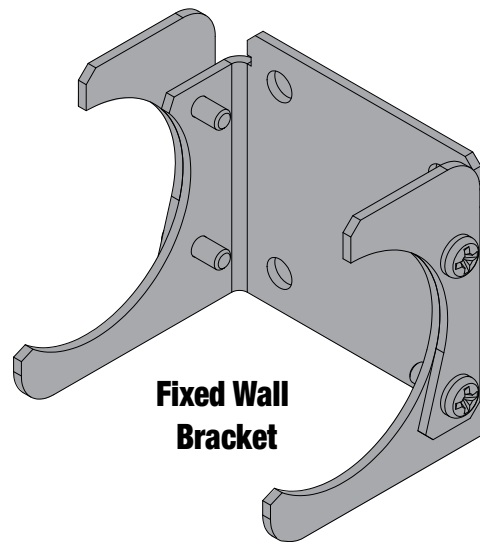
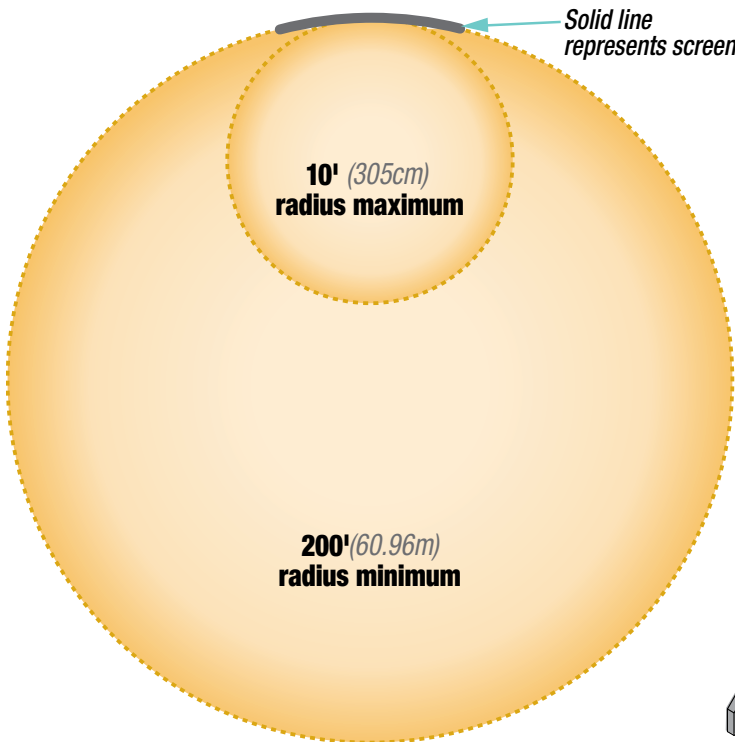
### Select Borders

- Standard 4" (102 mm) black borders
- Optional custom border size: \_\_\_\_\_

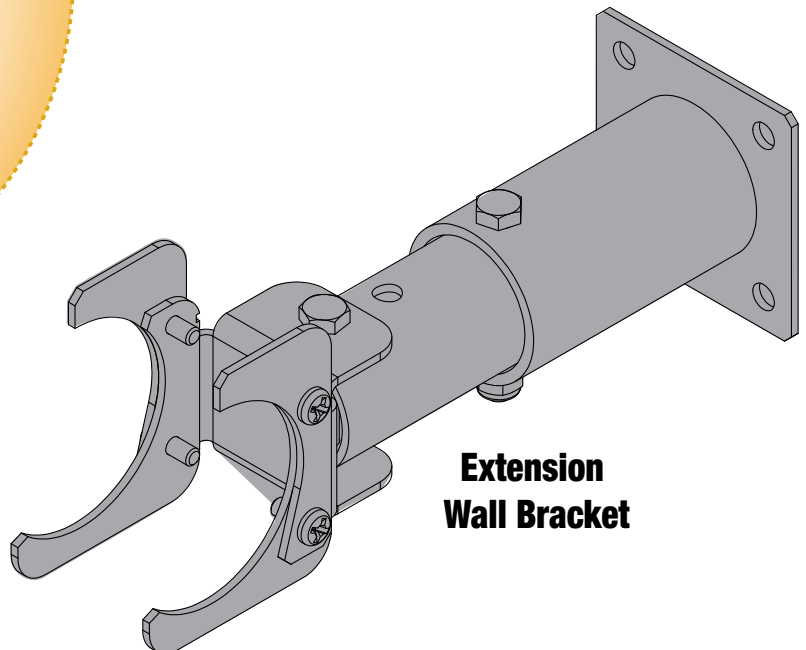
### Select Optional Decorative Trim

- IFR Black Velour

**Curve Radius:  
Maximum and Minimum**



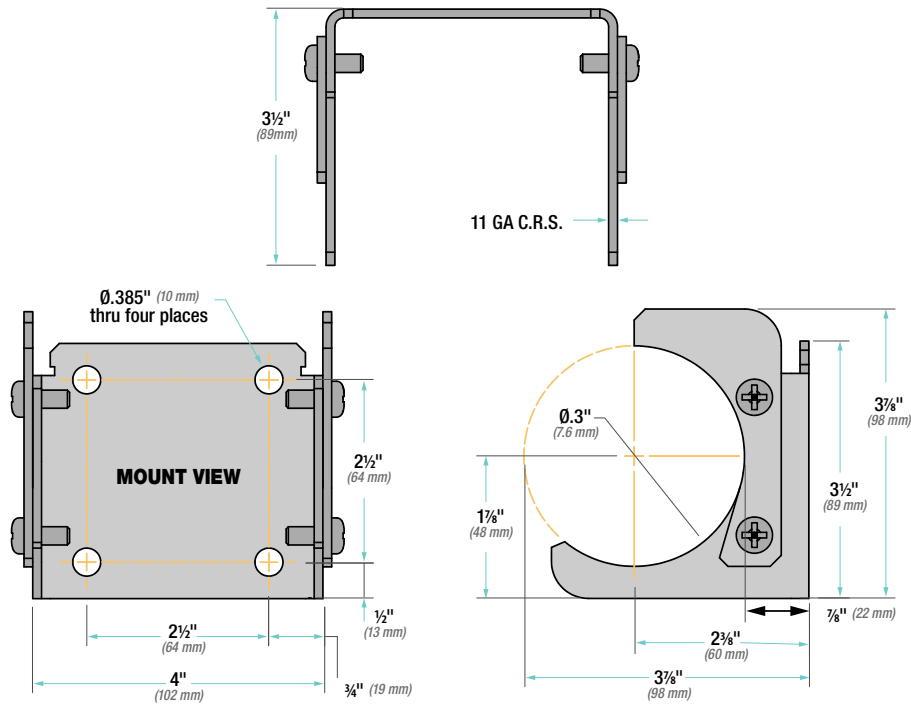
**Fixed Wall Bracket**



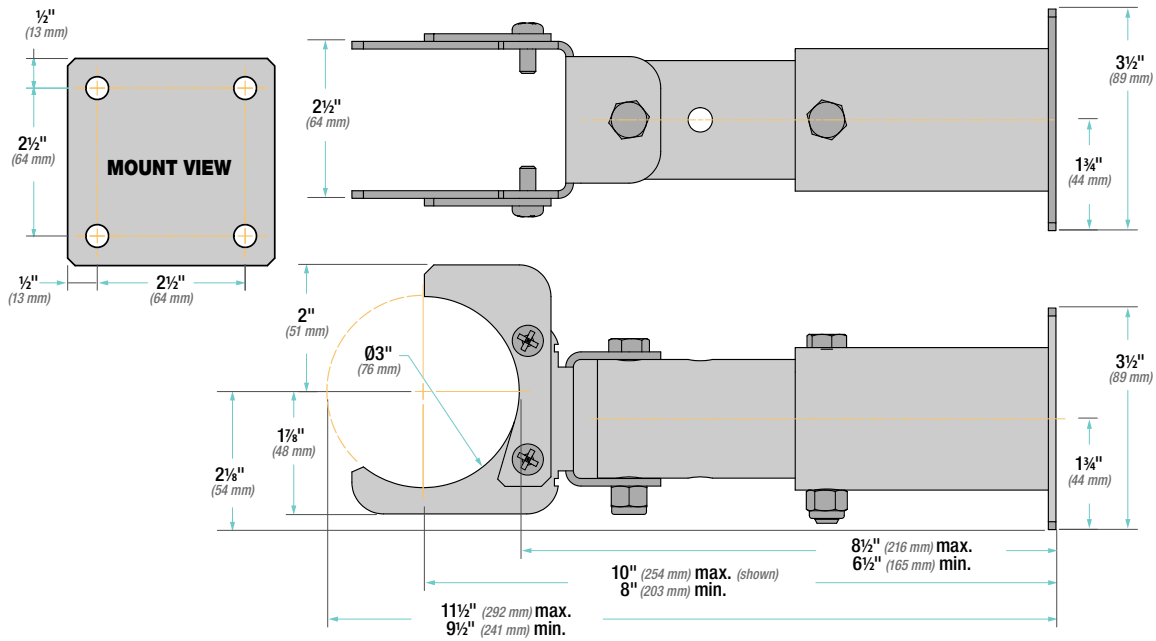
**Extension Wall Bracket**

## Dimensions

### STANDARD FIXED BRACKETS



### OPTIONAL EXTENSION BRACKETS



**NOTE:** These dimensions vary.

**PROJECT:** \_\_\_\_\_

**ARCHITECT:** \_\_\_\_\_

**CONTRACTOR:** \_\_\_\_\_

**SUPPLIER:** \_\_\_\_\_

**DATE:** \_\_\_\_\_ **REVISED:** \_\_\_\_\_