



Dimensions & Data

Size H x W	Case Length	Net Wt. (lbs.)	Qty.	Size H x W	Case Length	Net Wt. (lbs.)	Qty.
50" x 50"	65"	60		7' x 9'	123"	105	
60" x 60"	75"	70		9' x 9'	123"	115	
70" x 70"	85"	75		8' x 10'	135"	115	
84" x 84"	99"	80		10' x 10'	135"	120	
72" x 96"	111"	85		9' x 12'	159"	125	
96" x 96"	111"	100		12' x 12'	159"	130	

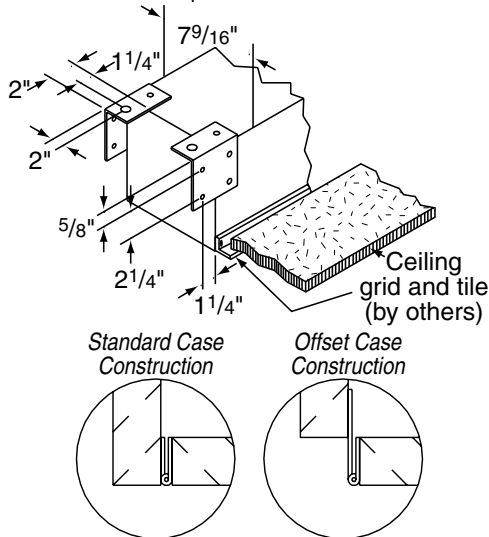
Nominal Diagonal	Image Area H x W	Overall Size	Case Length	Net Wt. (lbs.)	Qty.
NTSC Video Format (4:3)					
6'	42½" x 56½"	46½" x 59½"	75"	70	
7'	50" x 66½"	53½" x 69½"	85"	75	
100"	60" x 80"	64" x 83½"	99"	80	
10'	69" x 92"	73" x 96"	111"	85	
11'	78" x 104"	83" x 108"	123"	105	
150"	87" x 116"	92" x 120"	135"	115	
15'	105" x 140"	109" x 144"	159"	125	

HDTV Format (16:9)					
92" ¹	45" x 80"	57" x 83½"	99"	80	
106" ¹	52" x 92"	64" x 96"	111"	85	
110" ¹	54" x 96"	66" x 100"	115"	90	
119"	58" x 104"	62" x 108"	123"	100	
133"	65" x 116"	69" x 120"	135"	115	
161"	79" x 140"	84" x 144"	159"	125	

16:10 Format					
94" ¹	50" x 80"	62" x 83½"	99"	80	
109" ¹	57½" x 92"	69½" x 96"	111"	85	
113" ¹	60" x 96"	72" x 100"	115"	90	
123"	65" x 104"	69" x 108"	123"	100	
137"	72½" x 116"	76½" x 120"	135"	115	
165"	87½" x 140"	92½" x 144"	159"	125	

Custom Size

¹These sizes include 12" black drop as standard.



	² Quiet Motor Size Limitations			
	AV	NTSC	HDTV	16:10
OptiView Surfaces	108" x 144"	180"	161"	165"
CH3200E	120" x 120"	150"	161"	165"

	³ Quiet Motor with Built-in Low Voltage Controller Size Limitations			
	AV	NTSC	HDTV	16:10
OptiView Surfaces	108" x 108"	150"	133"	123"
CH3200E	84" x 108"	132"	133"	123"

Specifications—Envoy

_____ projection screens, size _____ h.

x _____ w. Electrically operated 110-120V AC, 60 Hz. 3-wire motor mounted inside screen roller, 1.1 amp draw, instantly reversible, lifetime lubricated, with internal thermal overload protector and electric brake with preset limits. **Left side motor location only.** Preset, accessible limit switches. Entire roller and drive assembly removal through bottom of case. Roller to be 3" dia. metal, mounted on rubber insulated supports. Viewing surface to be fire and mildew resistant. Bottom of viewing attached to tubular steel dowel. GREENGUARD for Children and Schools certified Matt White XT1000E and Contrast Grey XH800E viewing surfaces are certified to GREENGUARD standards for low chemical emissions into indoor air during product usage. For more information, visit ul.com/gg. Case of ¾" warp resistant composition wood, unplated. Wiring compartment metal lined. Bottom of case fully enclosed by two panels, mounted with full length continuous hinge. One panel to open and close automatically as screen operates. Second panel opens manually for access to electrical connections, limit switches and screen surface. Hinges mounted to allow matching of bottom panels to ceiling. Case painted with flat black primer. Three-position control switch, complete with coverplate, shall stop or reverse screen at any point. Entire unit certified by Underwriters' Laboratories, Inc. for the U.S. and Canada. Specifications subject to change without notice.

Please Mark Appropriate Selections

Select Viewing Surface:

- Matt White XT1000E (1.0 gain): GREENGUARD Gold certified
- Contrast Grey XH800E (0.8 gain): GREENGUARD Gold certified
- Other _____

Select Case Construction:

- Standard
- Offset

Optional Accessories:

- Extra Drop ¹
 - Same color as viewing surface (standard on AV format screens)
 - Black (standard on all other formats)
- Length of total drop (incl. std 12" on some sizes—see grid, left) ¹ _____
- Black Masking Borders (Optional on AV format, standard on others)

Select Motor and Controls:

Standard Voltage Motor and Control Options:

- 110-120V AC (standard)
- Optional Quiet Motor ²

Please Note: These motors come with one 110V-120V AC 3-position wall switch (silver wall plate with black rocker).

Total number of 110-120V AC switches (operate independently)

- Substitute white switch(es) for silver wall plate with black rocker
- Optional Key Operated Switch
 - Power Supply Key Switch (On-off)
 - 3-Position Key Control
 - 3-Position Switch with Hinged Key-Locking Coverplate

Low Voltage Motor and Control Options:

- Optional External LVC-IV Low Voltage Control Module
- Optional Motor with Built-in Low Voltage Controller
- Optional Quiet Motor with Built-in Low Voltage Controller ³

Please Note: Select Control Options for Low Voltage from below.

- 24 Volt 3-Button Switch Number of 24V switches: _____
- Radio Frequency Remote Control (only with 24v)
- Infrared Remote Control (only with 24v)
- Optional Key Operated Switch
 - Power Supply Key Switch (On-off)
 - 3-Position Switch with Hinged Key-Locking Coverplate

Optional Video Interface Control (not compatible with other controls)

- VIC-115 Override Switch
 - VIC-12 Override Switch
 - VIC-6 Override Switch
- (VICs are compatible only with the Override Switch, and not with any other wall switches or controls)**

PROJECT: _____

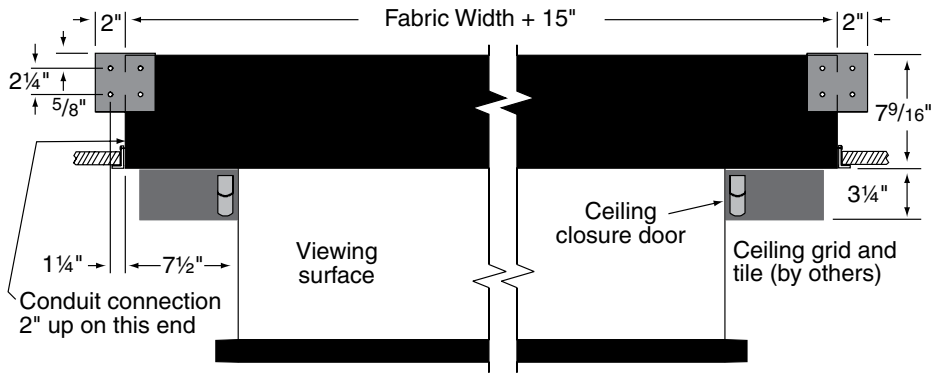
ARCHITECT: _____

CONTRACTOR: _____

SUPPLIER: _____

DATE: _____ REVISED: _____

Case Dimensions



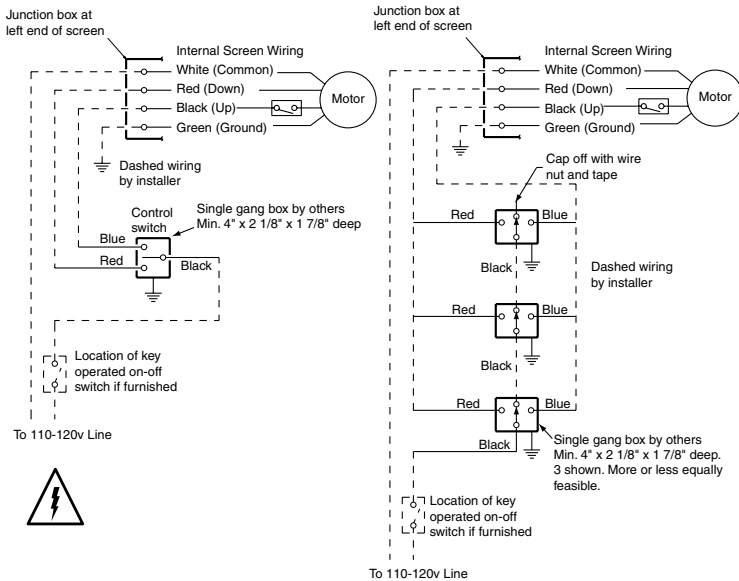
Case height—7⁹/₁₆". Case depth—7¹³/₁₆" (including brackets). Mounting brackets extend 2" in length beyond each end of case.

Wiring Diagrams*

110-120V Motor and Quiet Motor

Single Station Control

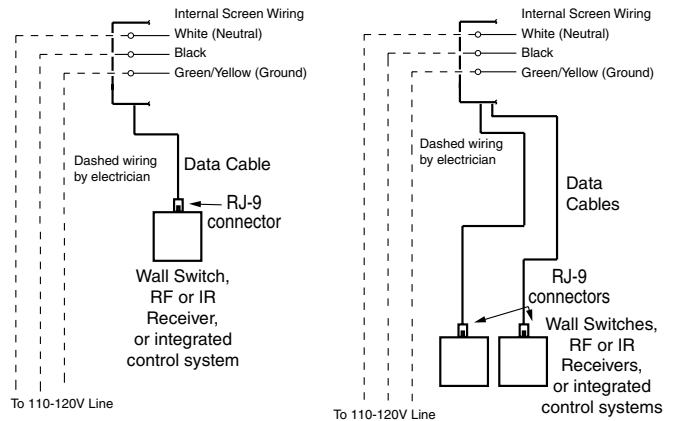
Multiple Station Control



110-120V Motor and Quiet Motor with Built-in Low Voltage Controller

Single Low Voltage Control

Multiple Low Voltage Controls



Please Note: For external low voltage (LVC-IV), serial (LVC-IV) and network (LVC-IV & LS101) wiring diagrams, please consult instructions for those modules.

*** For more information and wiring diagrams for serial and network communication, please see wiring diagrams supplied with individual items.**

PROJECT: _____
 SUPPLIER: _____
 DATE: _____ REVISED: _____